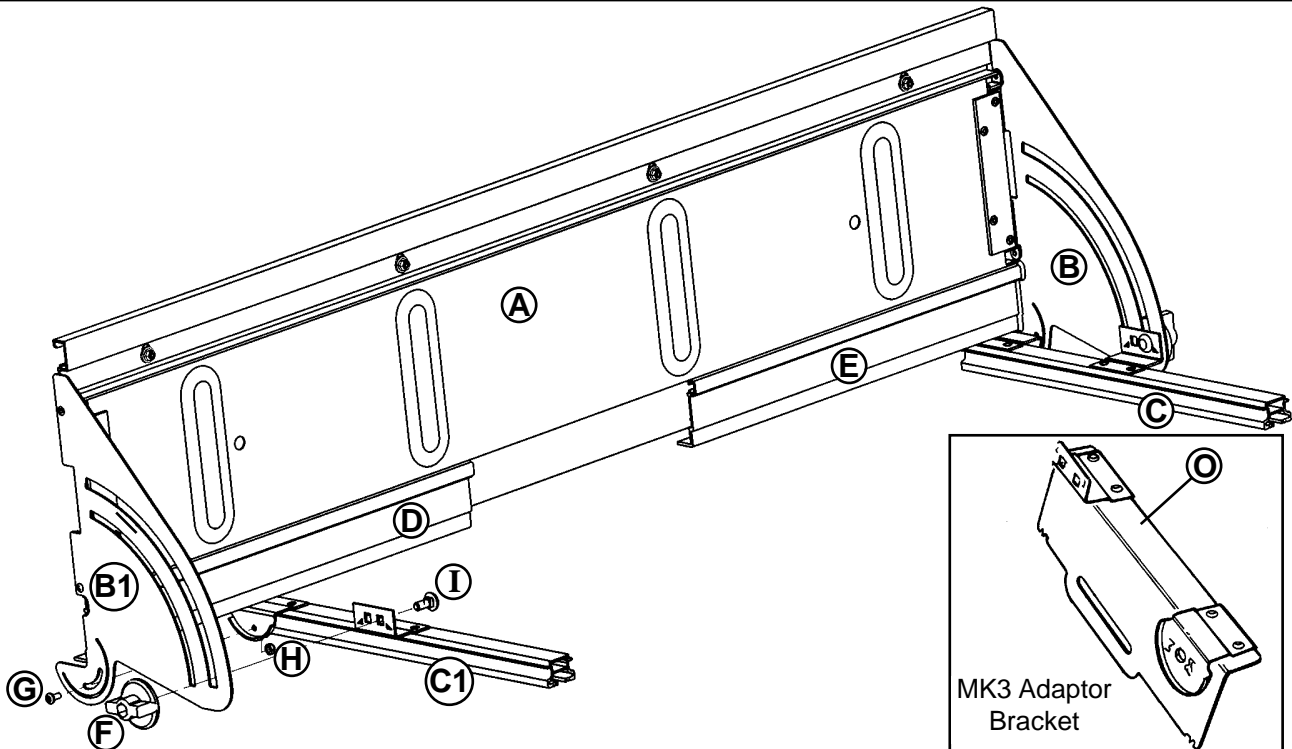


Bevel Ripping Guide Series 2000 - BRA200

Suits Triton Series 2000 & MK3* Workcentres. (*Adaptor kit (BRA270) required)



Diag. Ref.	Part No.	Description	Qty Supplied as Spare Part	Comments
-	PUA307	Packing Carton	1	
-	PUA309	Instructions	1	
-	PUA343	Packing List	1	
A	BRA278	Work Panel (Steel model)	1	
B	BRA281	Front Quadrant	1	
B1	BRA282	Rear Quadrant	1	
C	BRA255	Front Track Arm	1	
C1	BRA256	Rear Track Arm	1	
D	BRA313	Edge Support - rear	1	
E	BRA311	Edge Support - front	1	
-	BRA321	Fastener Bag	1	
-	BRA224	Series 2000 Bridge	1	Red plastic
F	CMA040	Round Knob & 6mm nut	1	
-	BRA270	MK3 Adaptor Kit	1	
-	PUA325	MK3 Adaptor Kit Instructions	1	
O	BRA260	MK3 Front Adaptor Bracket	1	
-	BRA261	MK3 Rear Adaptor Bracket	1	
-	BRA262&263	MK3 Scale Labels - front & rear	1	Self adhesive
-	BRA264	MK3 Bridge	1	Red plastic
-	BRA265	Fastener Bag (MK3 Adaptor Kit)	1	
FASTENERS NOT SUPPLIED SEPARATELY				
G	CSA209	M4x10mm Philips- Head Screw	2	
H	CSA156	M4 Nyloc Nut	2	
I	CSA172	M6x15mm Coach Bolt	2	

Specifications:

Packed weight: 4.04kg

Pack size: 903 x 290 x 44mm **Volume:** 0.010m³

Paint: Epoxy powder coat (oven cured) **Colour:** Silver & Telecom Gold