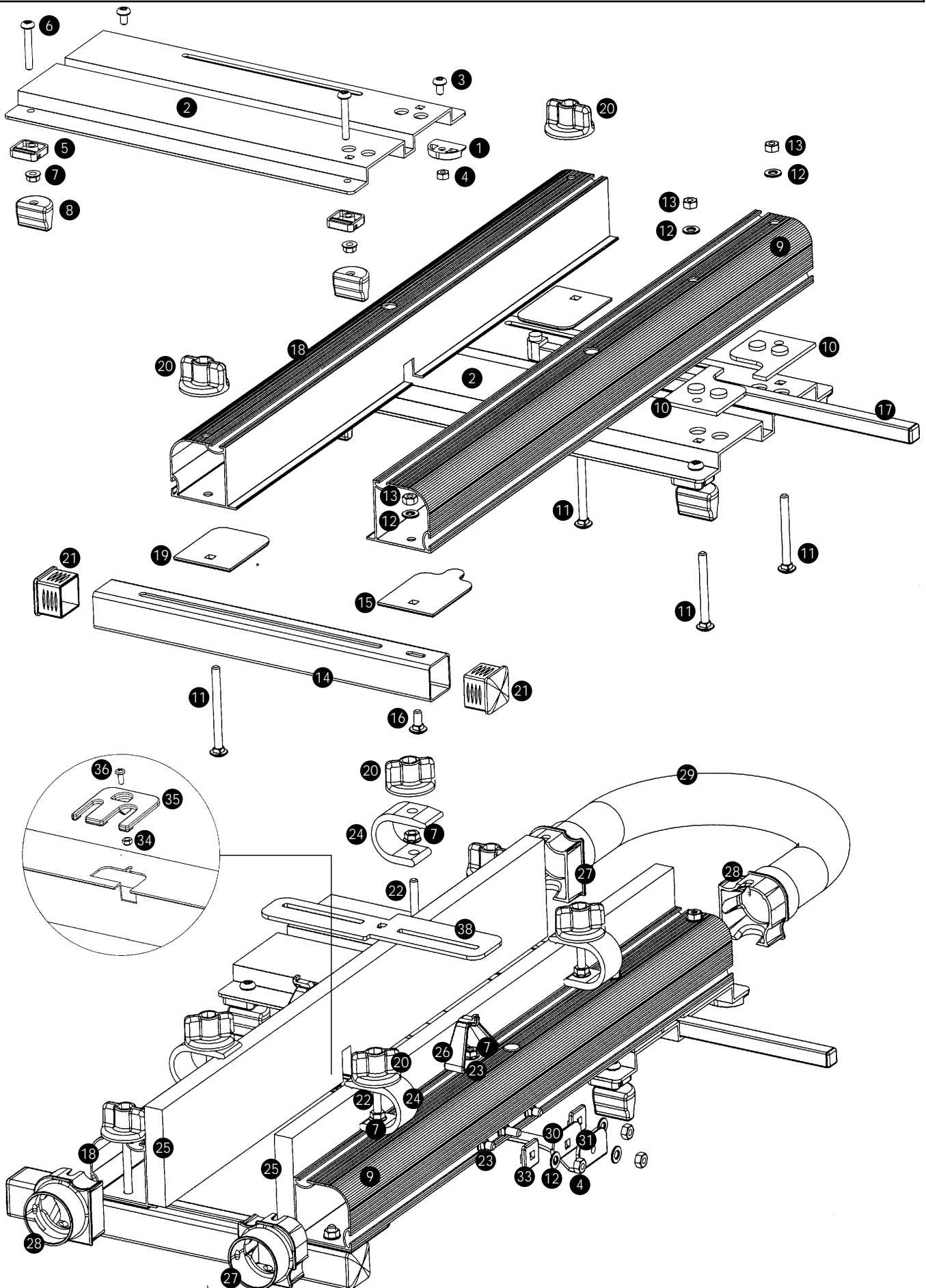


# Finger Jointer - FJA300

Suits Router Table model RTA300 only



# Finger Jointer - FJA300

Suits Router Table model RTA300 only

Diag. Ref.	Part No.	Description	Qty Supplied as Spare Part	Comments
1,5&8	RTA391	Slider Tree	1	
2	FJA045	Slider	1	
9	FJA004	Fixed Fence	1	
10	FJA019	Pegged Spacer	1	
14	FJA035	Outer Brace	1	
15	FJA020	Brace Spacer	1	
17	FJA012	Travel Stop	1	
18	FJA011	Adjustable Fence	1	
19	FJA021	Adjustable Fence Spacer	1	
20	CMA040	Round Knob	1	
21	CPA013	Brace Plug	1	
24	FJA023	Fence Clamp	1	
25	FJA038	MDF Fence Face	1	
26	FJA033	Supports	1	
27	FJA008	Fence Cap (Right Handed)	1	
28	FJA007	Fence Cap (Left Handed)	1	
29	FJA039	Hose - 400mm (stored inside Fixed Fence)	1	
30	FJA043	Finger Spacer	1	
31	FJA029	1/2" Finger	1	
32	FJA027	1/4" Finger (not shown)	1	
33	FJA044	Finger Stop	1	
-	FJA005	Cutter Surround (A)	1	
35	FJA016	Cutter Surround (B)	1	
38	FJA031	Initial Cut Stop	1	
-	FJA050	1/2" Straight Cutter with 1/2" shank	1	
-	FJA051	1/2" Straight Cutter with 1/4" shank	1	Available on exchange basis
-	FJA018	Fastener Bag 1 (Slider Components)	1	
-	FJA052	Fastener Bag 2 (Fence Mounting Components)	1	
-	FJA026	Fastener Bag 3 (Fence Accessory Components)	1	
<b>Fasteners not supplied separately</b>				
3	-	M6 x 10 Screw	-	
4	-	M6 Hex Nut	-	
6	-	M6 x 30 Screw	-	
7	-	M6 Flange Nut	-	
11	-	M6 x 65 Coach Bolt	-	
12	-	Washer	-	
13	-	M6 Nyloc Nut	-	
16	-	M6 x 16 Coach Bolt	-	
22	-	M6 x 50 Coach Bolt	-	
23	-	M6 x 12 Coach Bolt	-	
34	-	M4 Nyloc Nut	-	
36	-	M4 x 10 Screw	-	

## Specifications:

**Packed weight:** 4.58kg      **Pack Size:** 595 x 225 x 100mm      **Volume:** 0.014m<sup>3</sup>

**Paint:** Epoxy powder coat (oven cured)      **Tubes:** Charcoal & Telecom Gold

**Slider:** Silver