

GB Assembly Instructions

NL Montage instructies

FR Instructions de montage

DE Aufbauanleitung

IT Istruzione assemblaggio

ES Instrucciones de montaje

PT Instruções de montagem

PL Instrukcja montażu

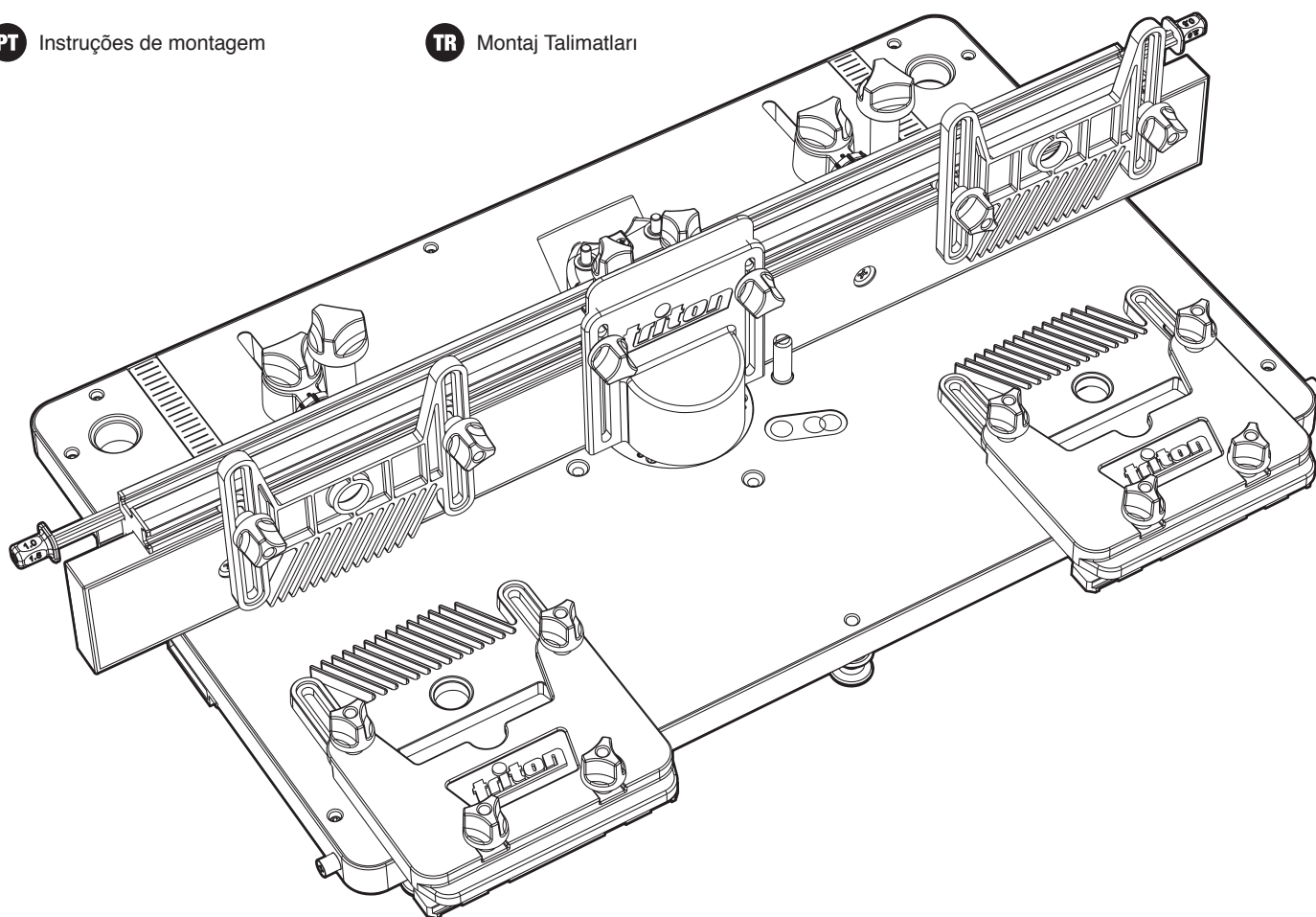
RU Инструкции по сборке

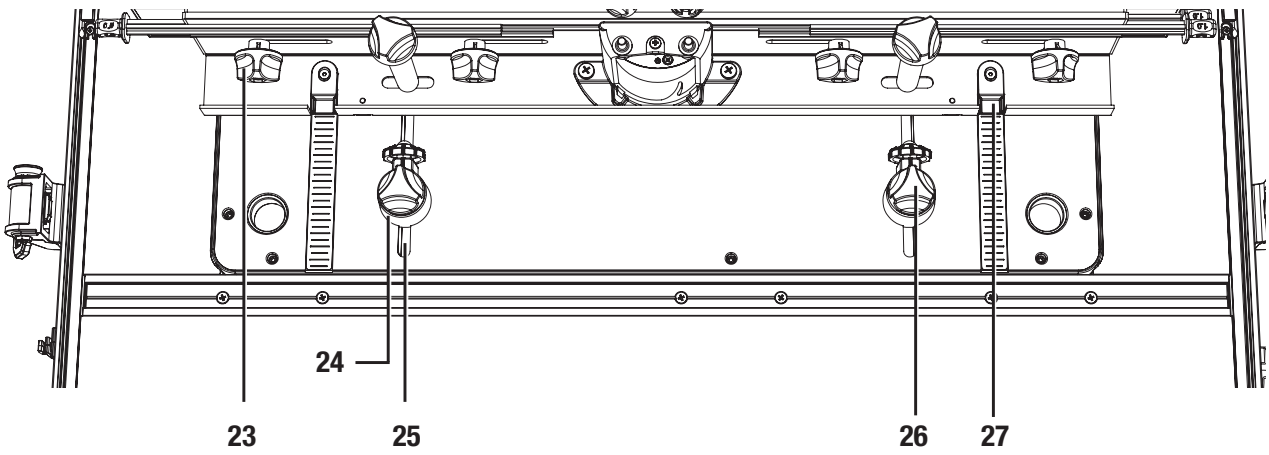
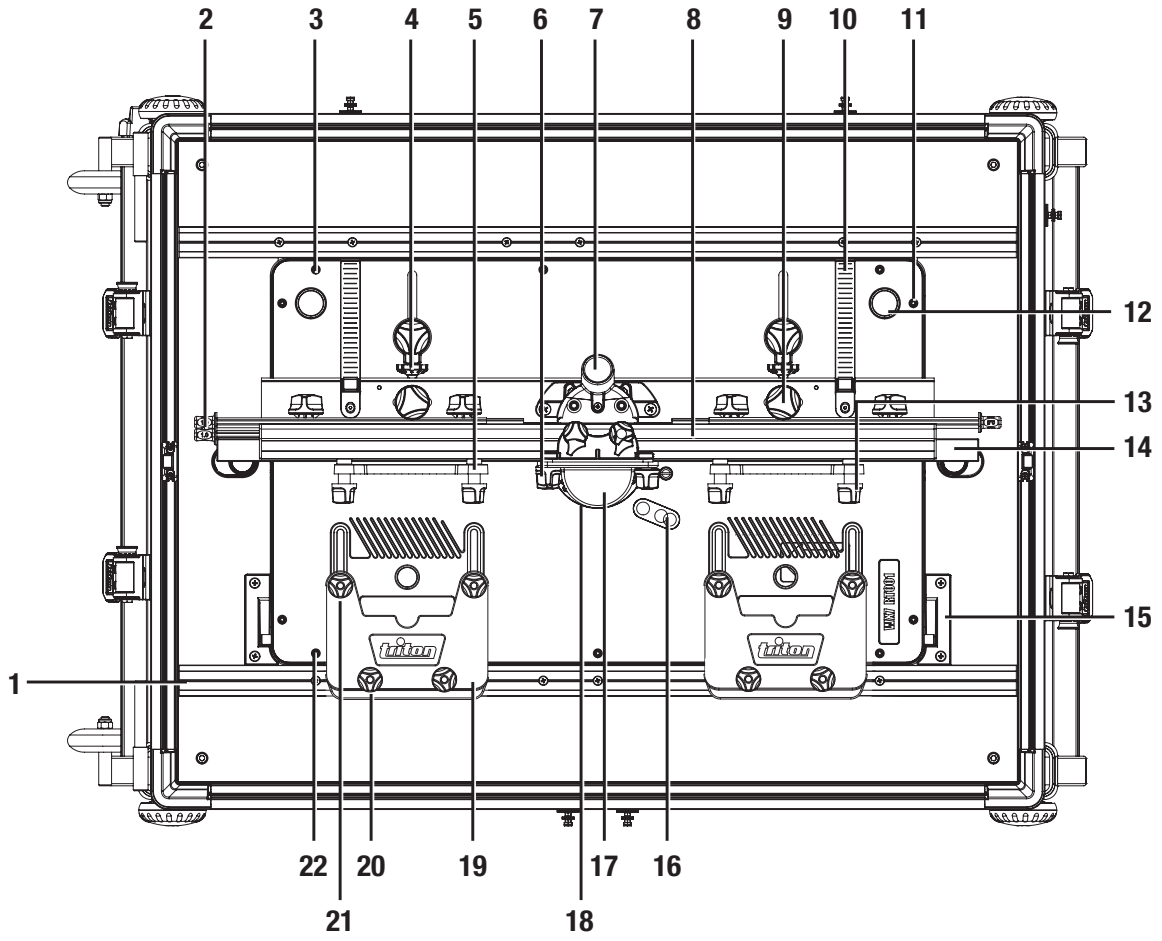
HU Összeszerelési utasítások

CZ Pokyny k sestavení

SK Pokyny na zostavenie

TR Montaj Talimatları





P1-1	x1
P1-2	x7
P1-3	x2
P1-4	x2
P1-5	x3
P1-6	x1
P1-7	x1

P1-8	x1
P1-9	x1
P1-10	x3
P1-11	x3
P1-12	x1
P1-13	x1
P1-14	x1

P2-1	x1
P2-2	x2
P2-3	x4
P2-4	x4
P2-5	x4
P2-6	x4
P2-7	x4

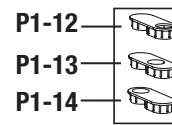
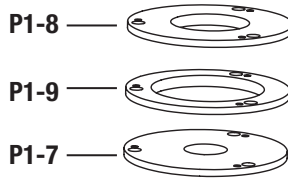
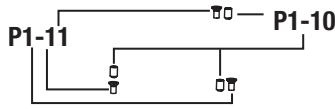
P2-8	x2
P2-9	x2
P2-10	x2
P2-11	x2
P2-12	x2
P2-13	x2
P2-14	x2

P2-15	x2
P2-16	x2
P2-17	x2
P2-18	x2
P3-1	x1
P3-2	x1
P3-3	x1

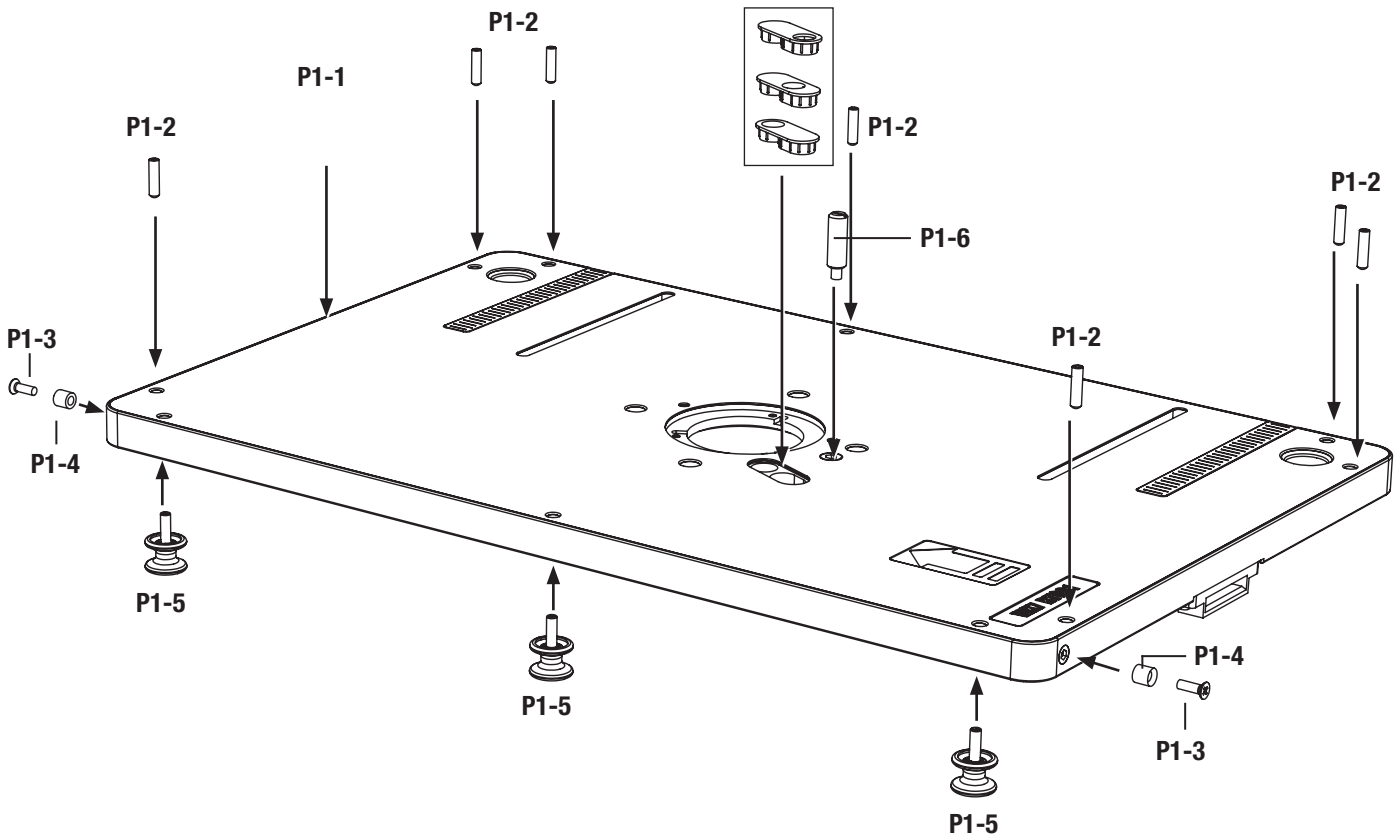
P3-4	x2
P3-5	x4
P3-6	x4
P3-7	x2
P3-E	x1
P3-U	x1
P4-1	x4

P4-2	x2
P4-3	x12
P4-4	x2
P4-5	x4
P4-6	x12

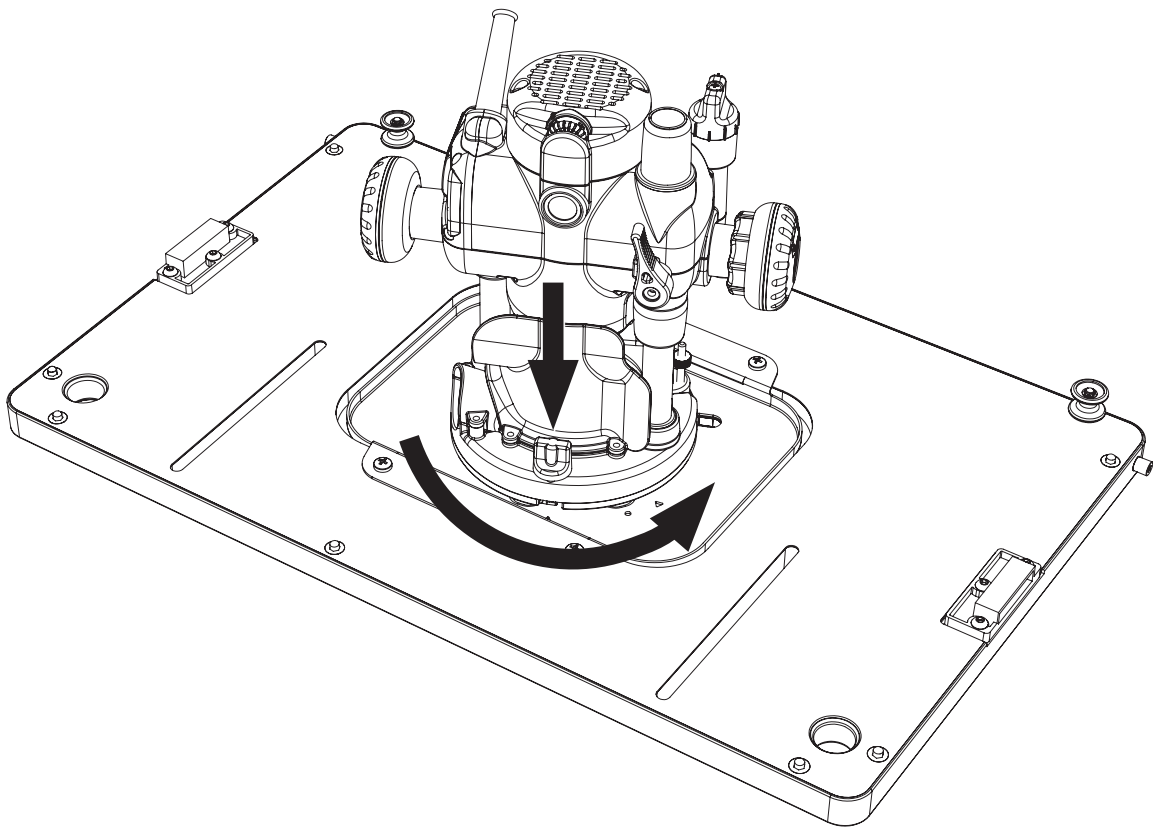
A



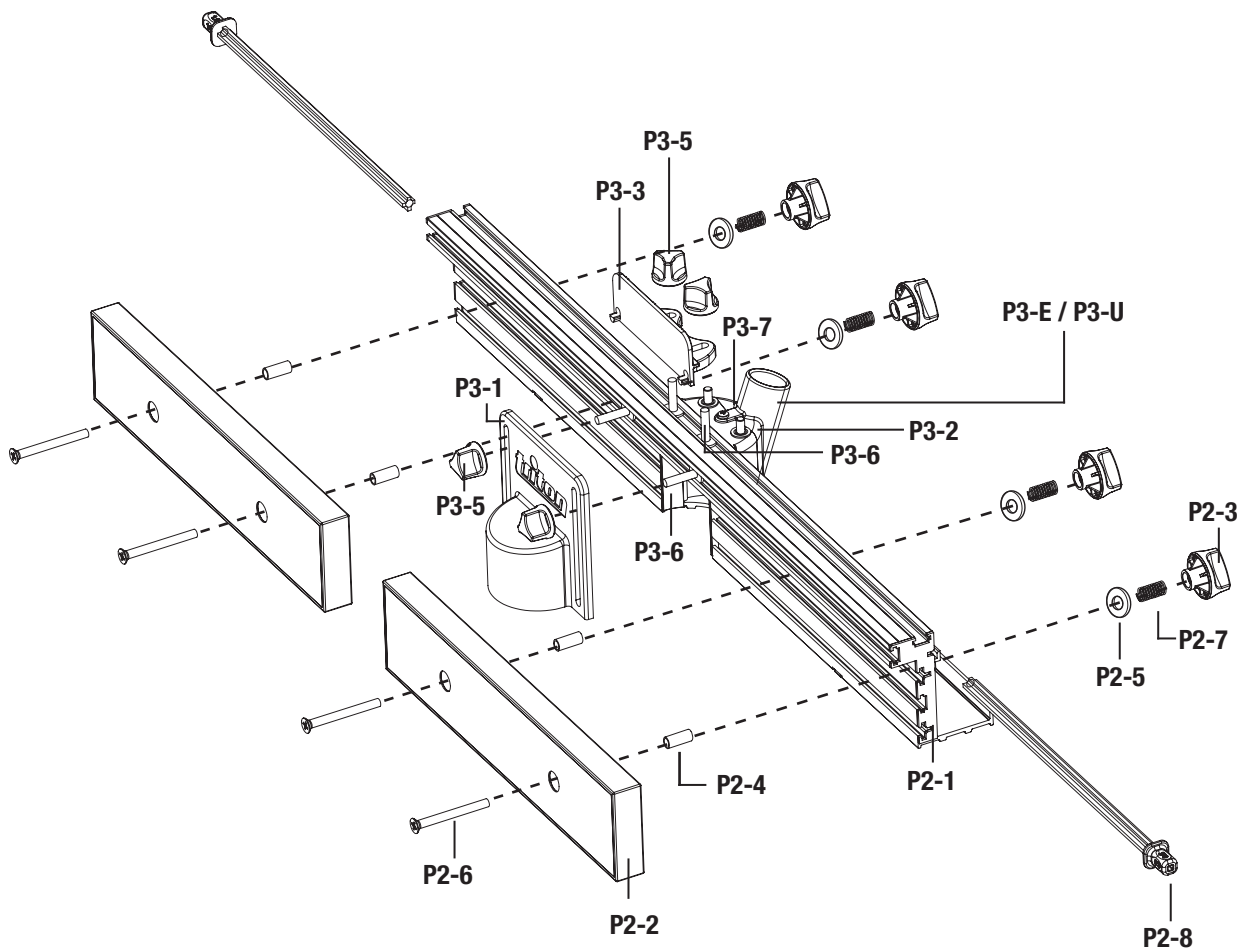
III	TRA001
II	MOF001
I	JOF001

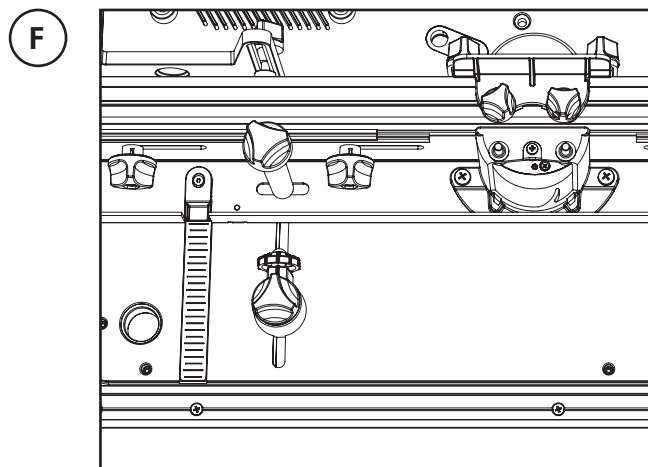
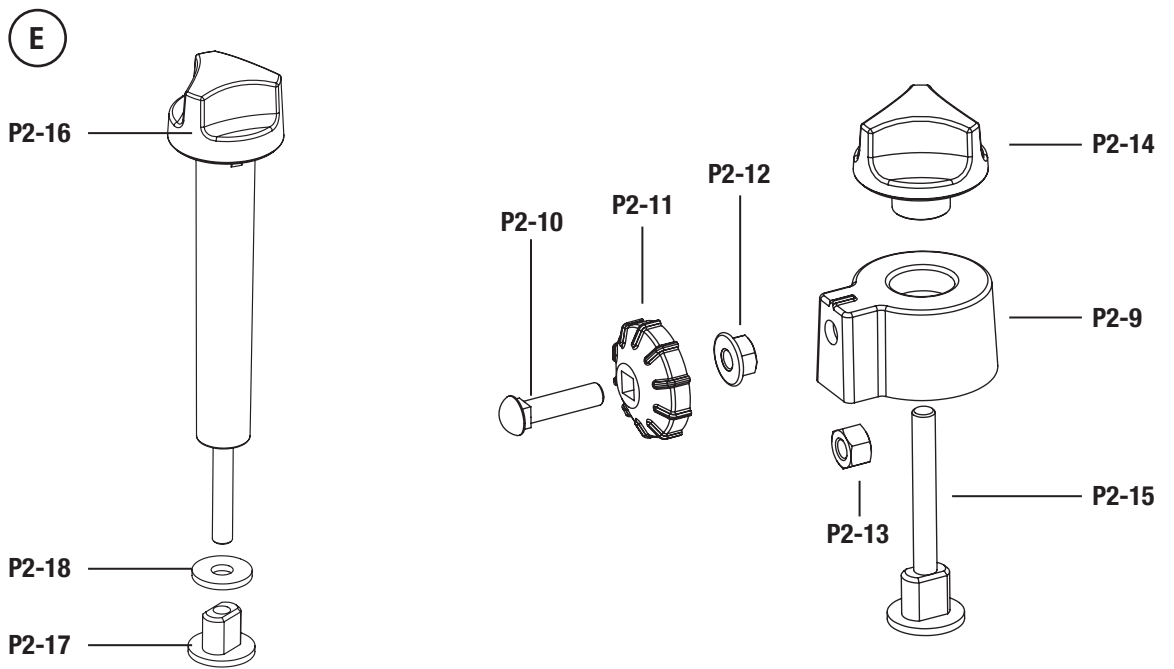
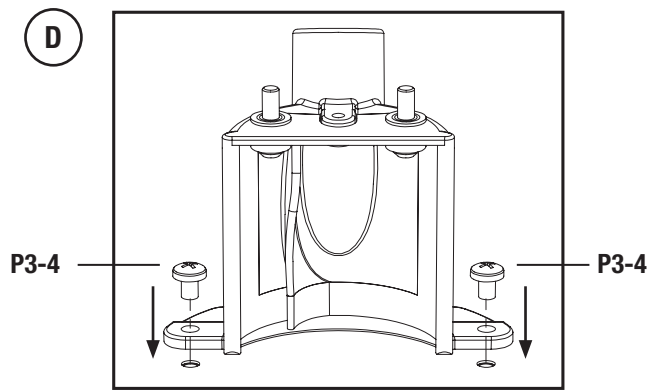


B

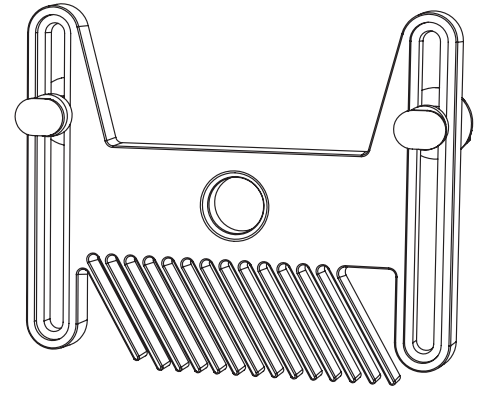
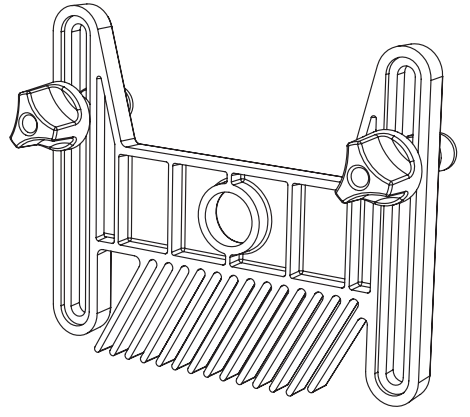
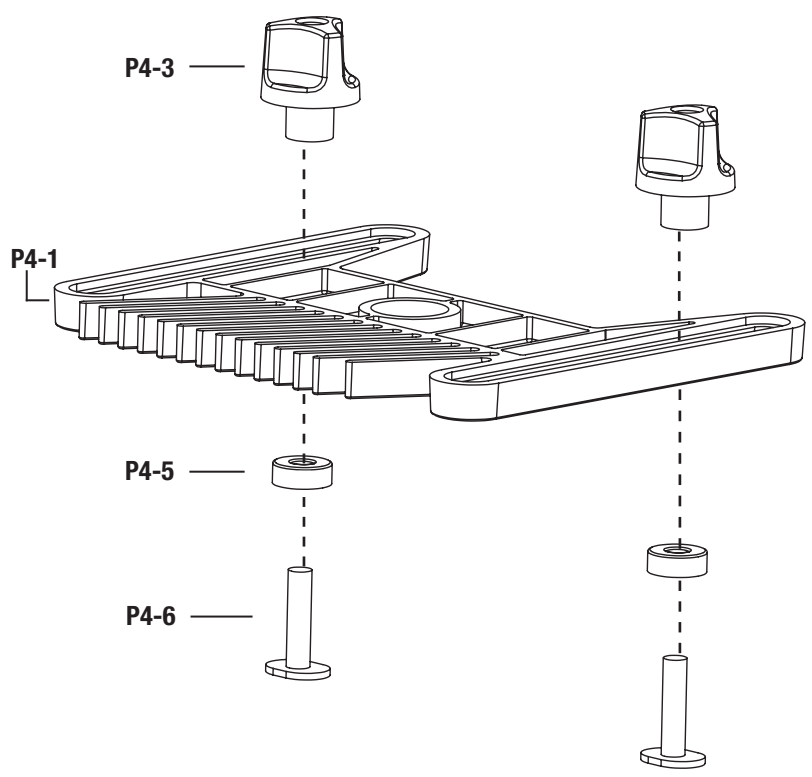


C

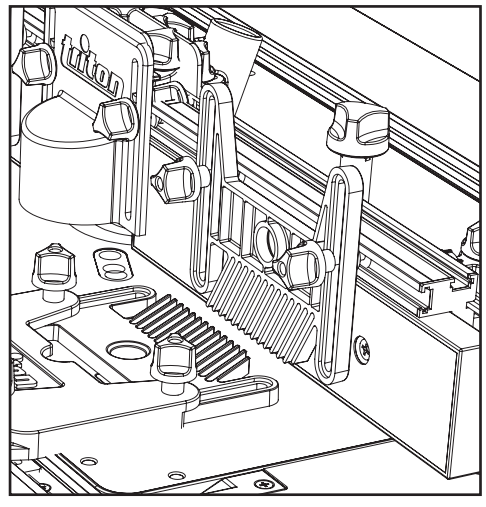




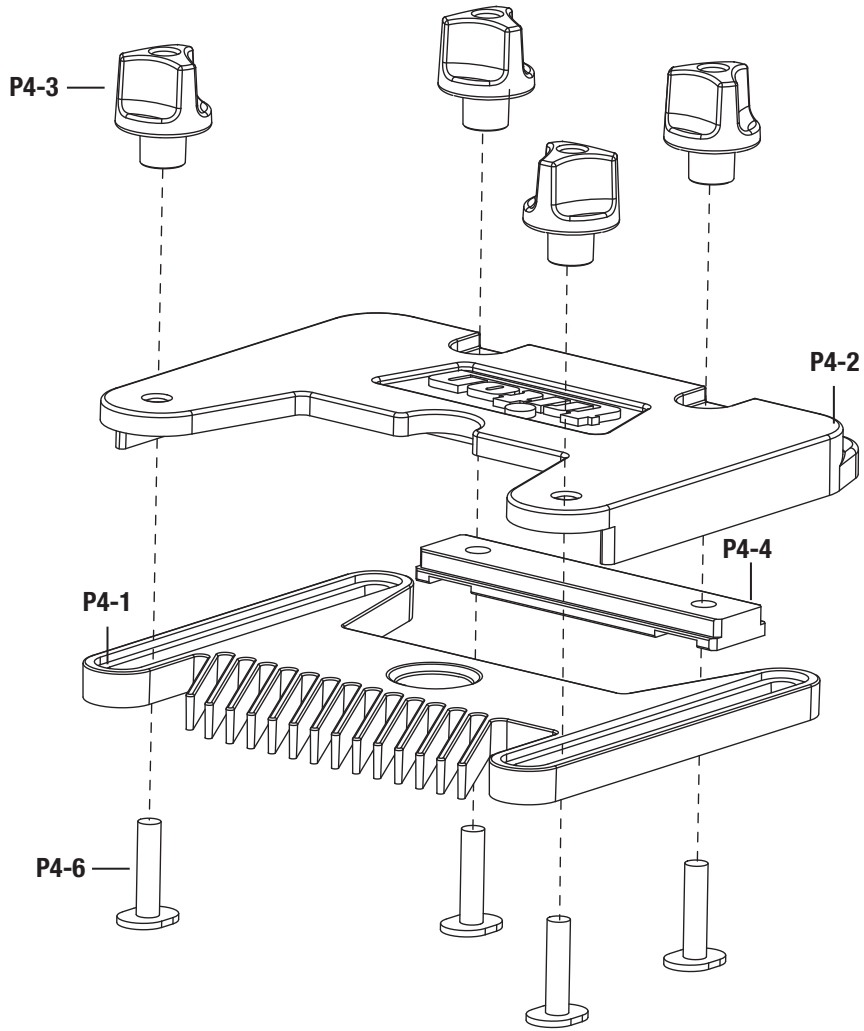
G



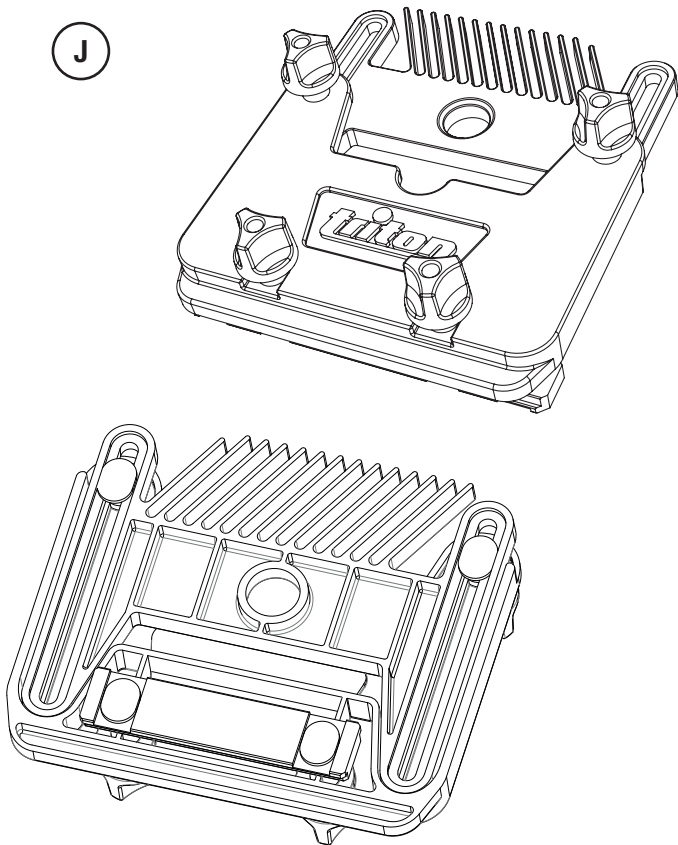
H



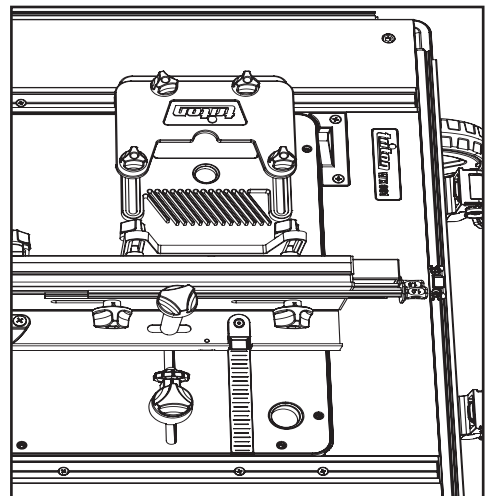
I



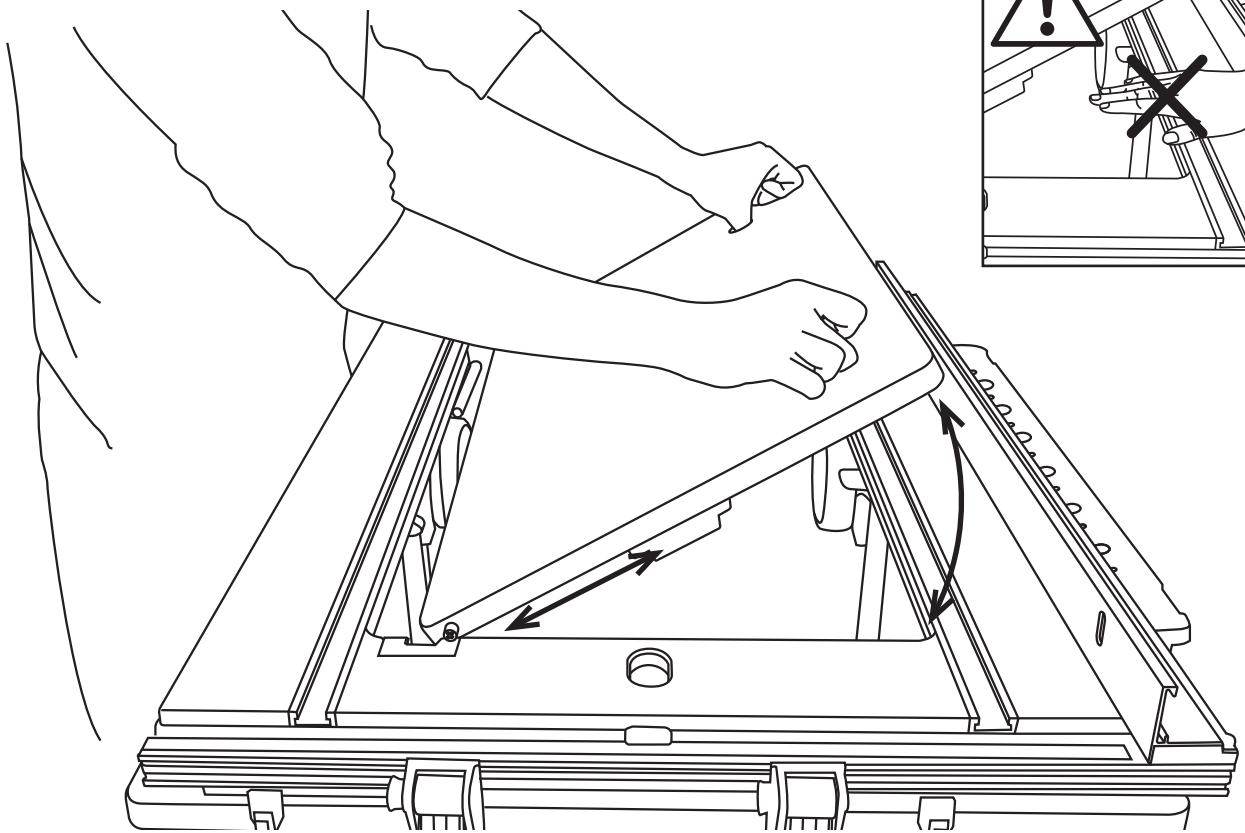
J



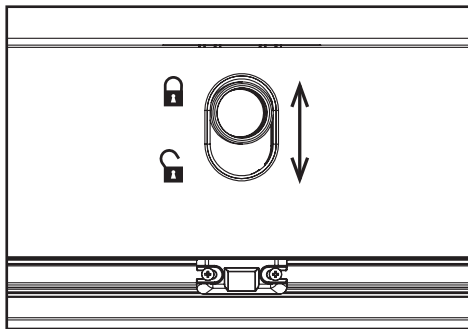
K



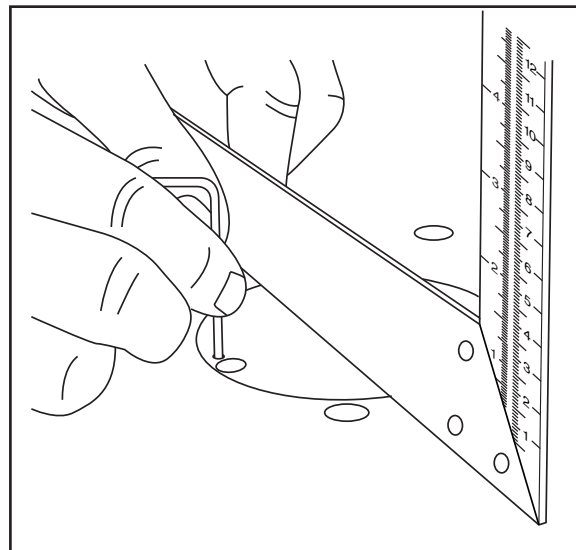
L

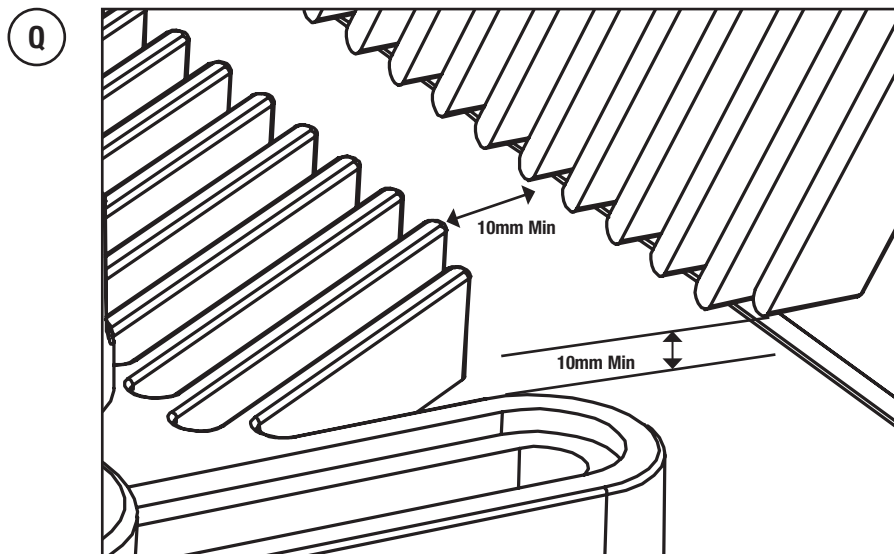
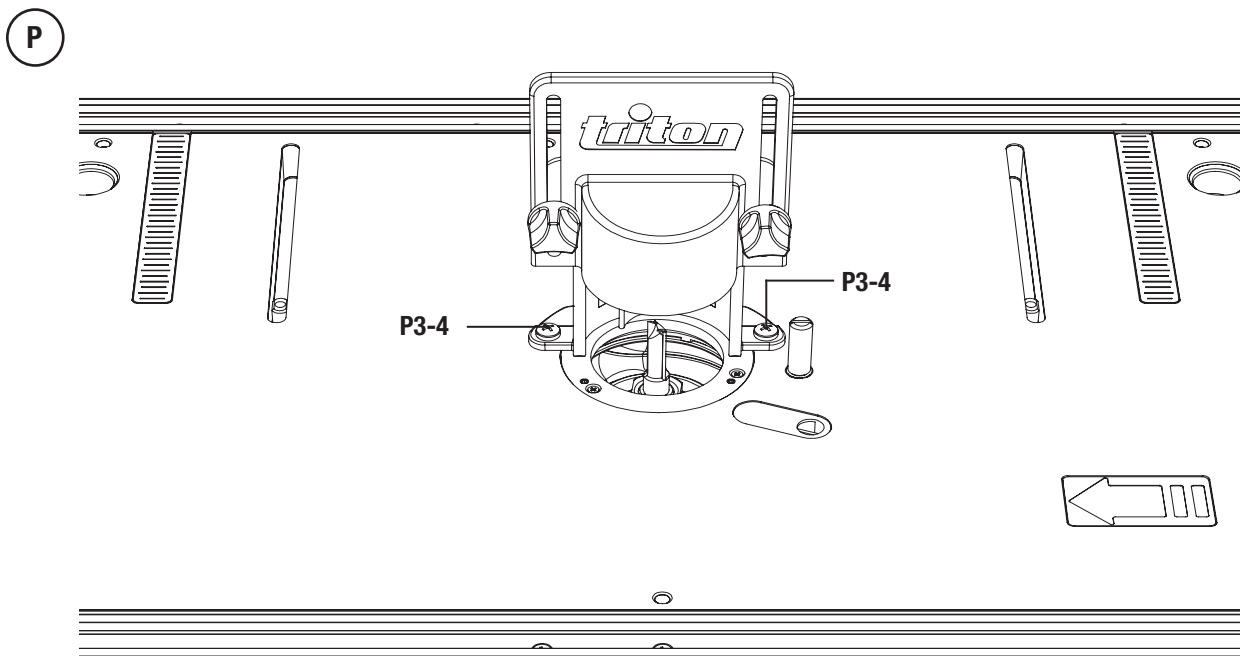
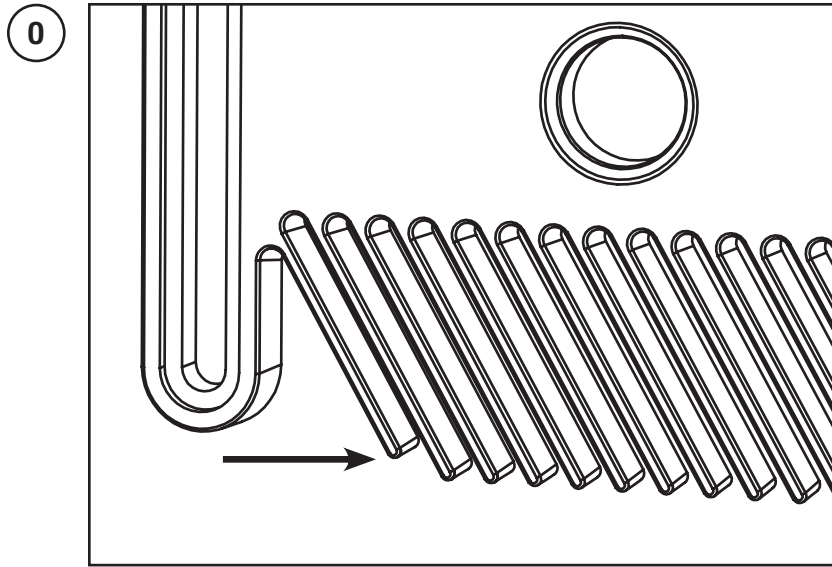


M

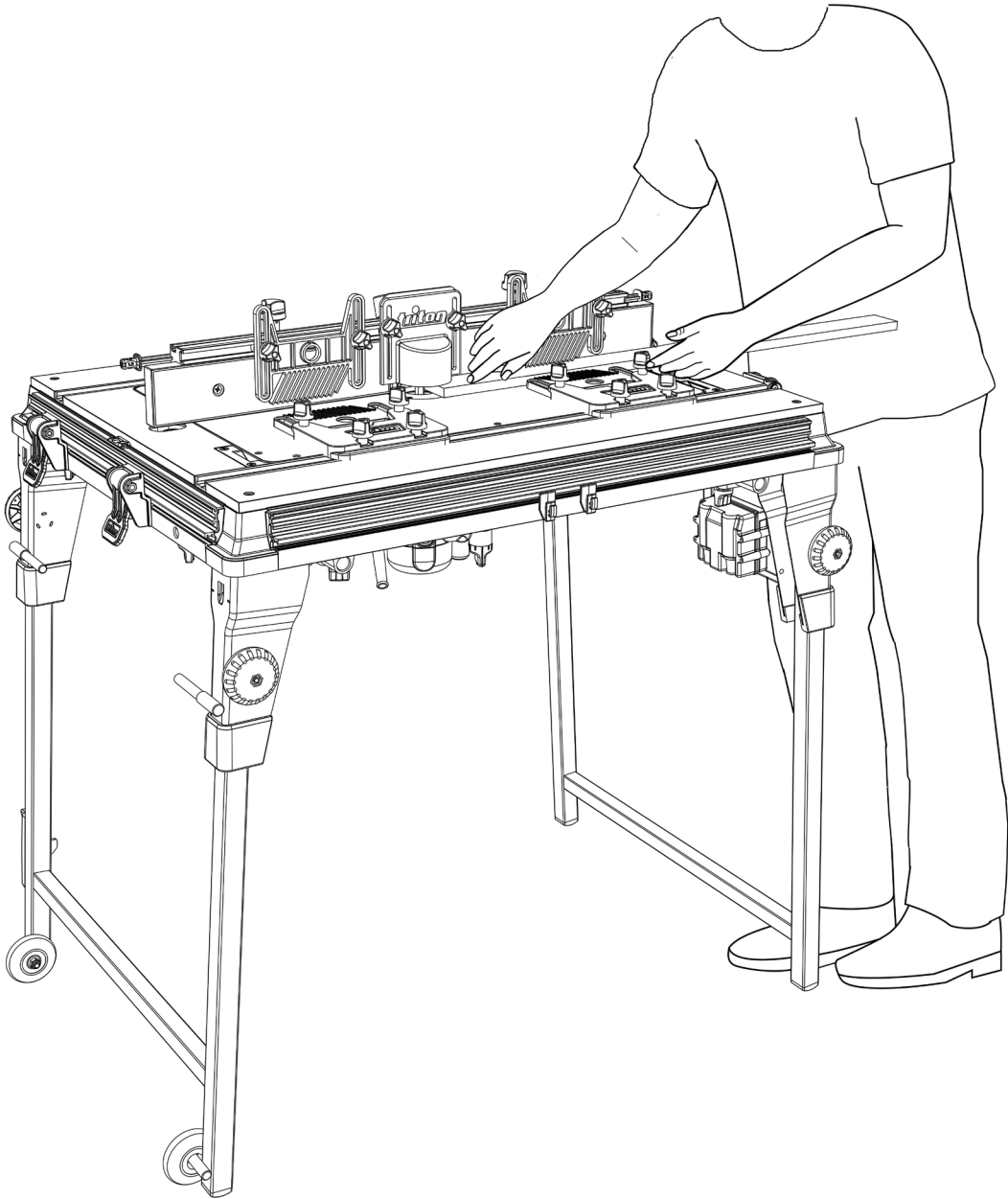


N

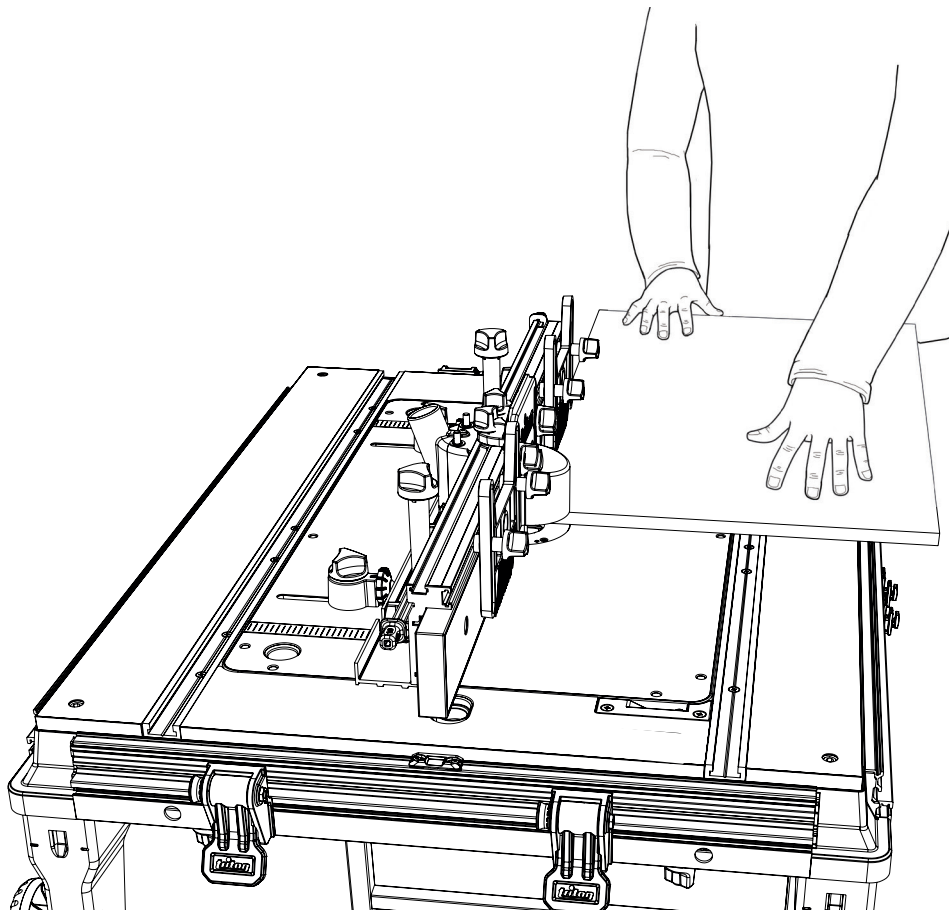




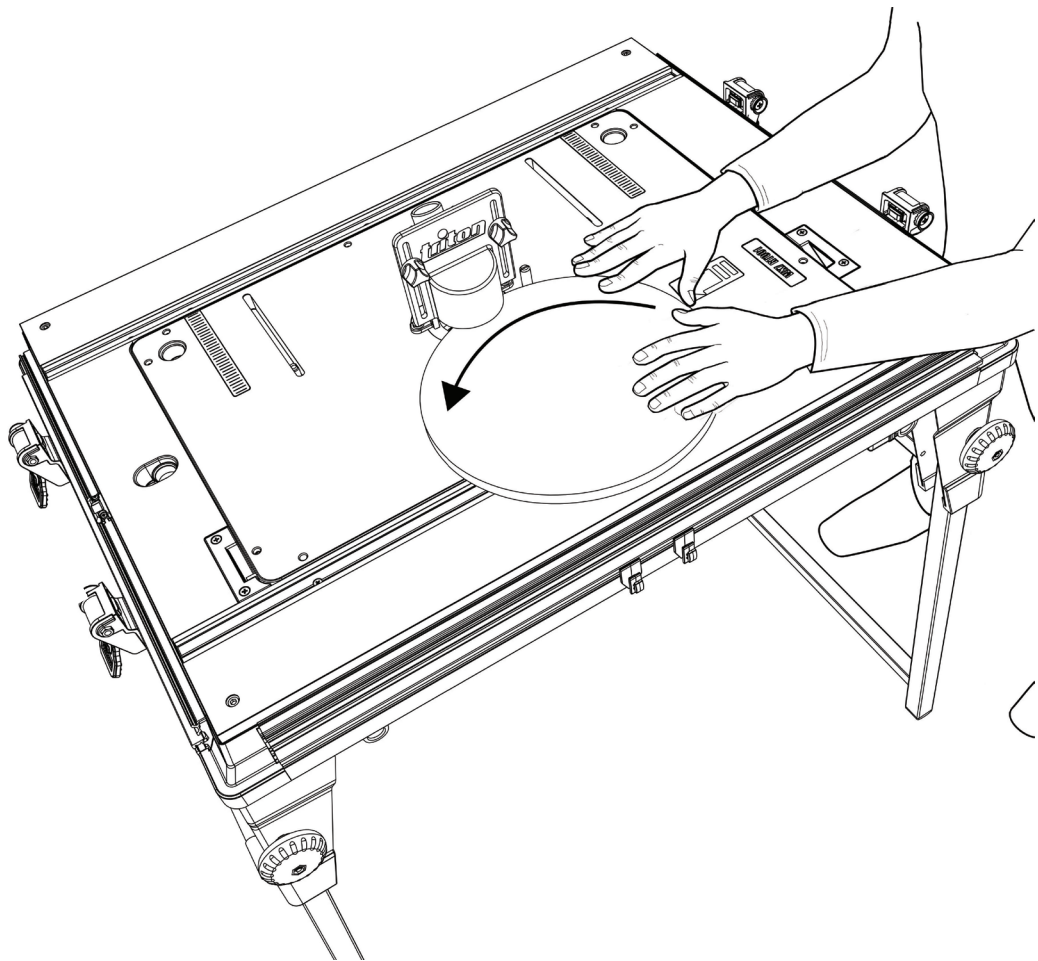
R



S



T





GB Operating and Safety Instructions

NL Bedienings- en veiligheidsvoorschriften

FR Instructions d'utilisation et consignes de sécurité

DE Gebrauchs- und Sicherheitsanweisung

IT Istruzioni per l'uso e la sicurezza

ES Instrucciones de uso y de seguridad

PT Instruções de Operação e Segurança

PL Instrukcja obsługi i bezpieczeństwa

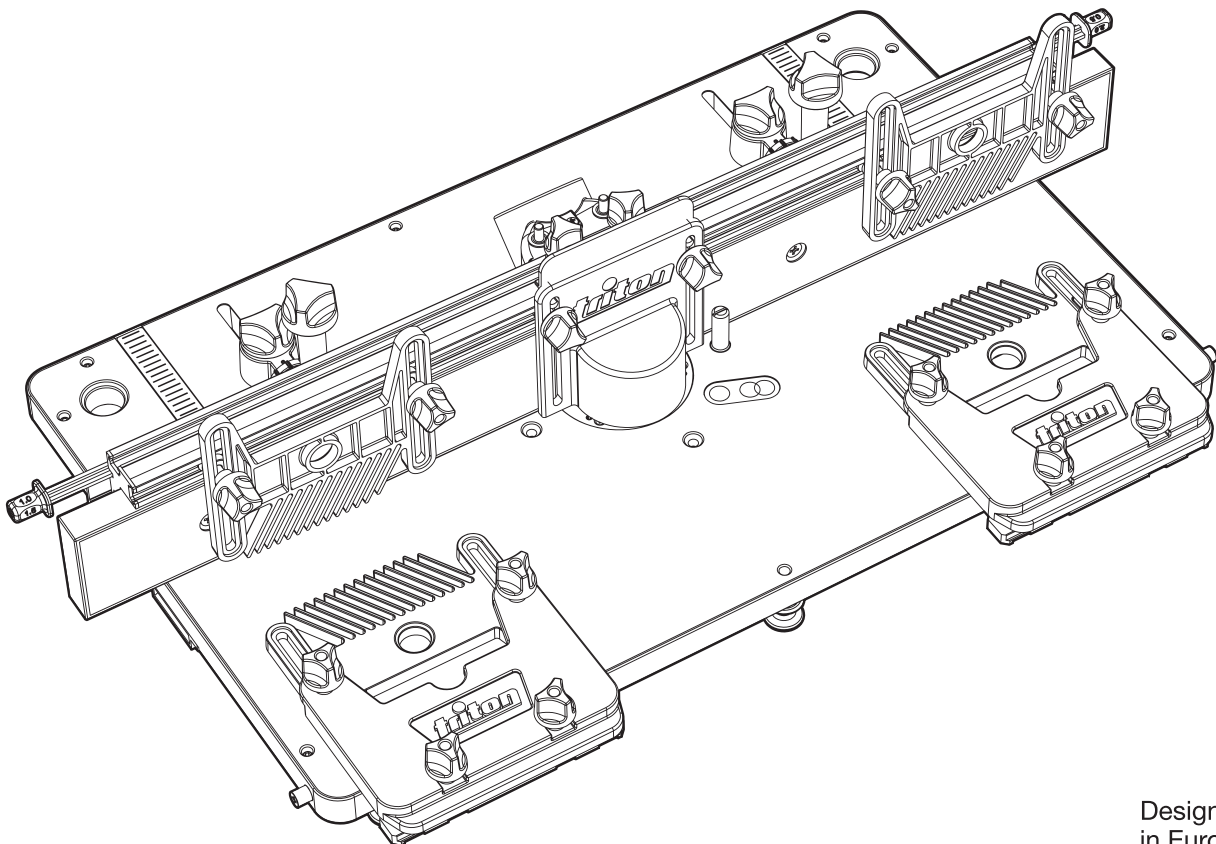
RU Инструкции по эксплуатации и правила техники безопасности

HU Kezelési és biztonsági utasítások

CZ Provozní a bezpečnostní pokyny

SK Prevádzkové a bezpečnostné pokyny

TR Çalima ve Güvenlik Talimatları



Version date: 23.11.2016

Designed
in Europe



Original Instructions

Introduction

Thank you for purchasing this Triton tool. This manual contains information necessary for safe and effective operation of this product. This product has unique features and, even if you are familiar with similar products, it is necessary to read this manual carefully to ensure you fully understand the instructions. Ensure all users of the tool read and fully understand this manual.

Description of Symbols

The rating plate on your tool may show symbols. These represent important information about the product or instructions on its use.

	Wear hearing protection Wear eye protection Wear breathing protection Wear head protection
	Wear hand protection
	Read instruction manual
	Be aware of kickback!
	Warning: Sharp blades or teeth!
	Indoors use only!
	DO NOT use in rain or damp environments!
	WARNING: Moving parts can cause crush and cut injuries.
	Caution!
	Toxic fumes or gases!
	DO NOT touch! DO NOT access the guard without removing the power. Keep children and bystanders away while operating a power tool. Distractions can cause you to lose control. All visitors should be kept safe distance from work area.
	Always disconnect from the power supply when adjusting, changing accessories, cleaning, carrying out maintenance and when not in use! s can cause you to lose control. All visitors should be kept safe distance from work area.

Technical Abbreviations Key

V	Volts
~, AC	Alternating current
A, mA	Ampere, milli-Amp
n ₀	No load speed
Ø	Diameter
°	Degrees
λ	Wavelength
Hz	Hertz
—, DC	Direct current
W, kW	Watt, kilowatt
/min or min ⁻¹	Operations per minute
dB(A)	Decibel sound level (A weighted)
m/s ²	Metres per second squared (vibration magnitude)

Specification

Part no:	TWX7RT001
Compatible routers:	Triton TRA001 Triton MOF001 Triton JOF001
Router module size:	660 x 410mm
Workcentre table size:	904 x 708mm
Extruded fence size:	680 x 85mm
Extruded fence thickness:	21.4mm
MDF fence face size (x 2):	340 x 75mm
Max MDF fence face opening:	90mm
Fence adjustable position:	+25/-125mm
Fence micro adjusters:	1mm (one full revolution)
Spacer bar settings:	0.5, 1.0, 1.5, 2.0mm
Guard height:	0-76mm
Featherboard stack height:	1: 9.5mm, 2: 15mm, 3: 44mm, 4: 50mm
Maximum throat plate router bit diameter (Dmax):	Large - 50mm Medium - 40mm Small - 20mm
Dust Extraction fitting (Dia):	31.75mm High Pressure / 62.5mm Low Pressure
Net weight:	9.9kg

General Safety

WARNING! When using electric power tools, basic safety precautions should always be followed to reduce the risk of fire, electric shock and personal injury including the following safety information. Read all these instructions before attempting to operate this product and save these instructions for future use.

WARNING: This appliance is not intended for use by persons (including children) with reduced, physical or mental capabilities or lack of experience or knowledge unless they have been given supervision or instruction concerning use of the appliance by a person responsible for their safety. Children must be supervised to ensure that they do not play with the appliance.

CAUTION: Use the power tool, accessories and tool bits etc. in accordance with these instructions, taking into account the working conditions and the work to be performed. Use of the power tool for operations different from those intended could result in a hazardous situation.

The term "power tool" in the warnings refers to your mains-operated (corded) power tool or battery-operated (cordless) power tool.

- 1 - **Keep work area clear** - Cluttered areas and benches invite injuries
 - 2 - **Consider work area environment**
 - Do not expose tools to rain
 - Do not use tools in damp or wet locations
 - Keep work area well lit
 - Do not use tools in the presence of flammable liquids or gases
 - 3 - **Guard against electric shock** - Avoid body contact with earthed or grounded surfaces (e.g. pipes, radiators, ranges, refrigerators)
 - 4 - **Keep other persons away** - Do not let persons, especially children, not involved in the work touch the tool or the extension cord and keep them away from the work area
 - 5 - **Store idle tools** - When not in use, tools should be stored in a dry locked-up place, out of reach of children
 - 6 - **Do not force the tool** - It will perform the job better and safer at the rate for which it was intended
 - 7 - **Use the right tool** - Do not force small tools to do the job of a heavy duty tool.
 - Do not use tools for purposes not intended; for example, do not use circular saws to cut tree limbs or logs
 - 8 - **Dress appropriately**
 - Do not wear loose clothing or jewellery, which can be caught in moving parts
 - Suitable safety footwear is recommended when working outdoors
 - Wear protective covering to contain long hair
 - 9 - **Use protective equipment**
 - Use safety glasses
 - Use face or dust mask if working operations create dust
- WARNING:** Not using protective equipment or appropriate clothing can cause personal injury or increase the severity of an injury.
- 10 - **Connect dust extraction equipment** - If the tool is provided for the connection of dust extraction and collecting equipment, ensure these are connected and properly used
 - 11 - **Do not abuse the power cable** - Never yank the power cable to disconnect it from the socket. Keep the power cable away from heat, oil and sharp edges. Damaged or entangled power cables increase the risk of electric shock
 - 12 - **Secure work** - Where possible use clamps or a vice to hold the work. It is safer than using your hand
 - 13 - **Do not overreach** - Keep proper footing and balance at all times
 - 14 - **Maintain tools with care**
 - Keep cutting tools sharp and clean makes the tool easier to control and less likely to bind or lock in the workpiece
 - Follow instruction for lubricating and changing accessories
 - Inspect tool power cables periodically and if damaged have them repaired by an authorized service facility
 - Inspect extension cables periodically and replace if damaged
 - Keep handles dry, clean and free from oil and grease
- WARNING:** Many accidents are caused by poorly maintained power tools.
- 15 - **Disconnect tools** - When not in use, before servicing and when changing accessories such as blades, bits and cutters, disconnect tools from the power supply
- WARNING:** The use of accessories or attachments not recommended by the manufacturer may result in a risk of injury to persons.
- 16 - **Remove adjusting keys and wrenches** - Form the habit of checking to see that keys and adjusting wrenches are removed from the tool before switching it on
 - 17 - **Avoid unintentional starting** - Ensure switch is in "off" position when connecting to a mains socket or inserting a battery pack, or when picking up or carrying the tool
- WARNING:** Unintended starting of a tool can cause major injuries.
- 18 - **Use outdoor extension leads** - When the tool is used outdoors, use only extension cords intended for outdoor use and so marked. Use of an extension cable suitable for outdoor use reduces the risk of electric shock
 - 19 - **Stay alert**

- Watch what you are doing, use common sense and do not operate the tool when you are tired
- Do not use a power tool while you are under the influence of drugs, alcohol or medication

WARNING: A moment of inattention while operating power tools may result in serious personal injury.

20 - Check damaged parts

- Before further use of tool, it should be carefully checked to determine that it will operate properly and perform its intended function
- Check for alignment of moving parts, binding of moving parts, breakage of parts, mounting and any other conditions that may affect its operation
- A guard or other part that is damaged should be properly repaired or replaced by an authorized service centre unless otherwise indicated in this instruction manual
- Have defective switches replaced by an authorized service centre

WARNING: Do not use the tool if the on/off switch does not turn it on and off. The switch must be repaired before the tool is used.

21 - **Have your tool repaired by a qualified person** - This electric tool complies with the relevant safety rules. Repairs should only be carried out by qualified persons, otherwise this may result in considerable danger to the user

WARNING: When servicing use only identical replacement parts.

WARNING: If the power cable is damaged it must be replaced by the manufacturer or an authorised service centre.

22 - **Power tool mains plugs must match the mains socket** - Never modify the plug in any way. Do not use any adapter plugs with earthed (grounded) power tools. Unmodified plugs and matching sockets will reduce risk of electric shock

23 - **If operating a power tool outside use a residual current device (RCD)** - Use of an RCD reduces the risk of electric shock

NOTE: The term "residual current device (RCD)" may be replaced by the term "ground fault circuit interrupter (GFCI)" or "earth leakage circuit breaker (ELCB)".


WARNING: When used in Australia or New Zealand, it is recommended that this tool is ALWAYS supplied via Residual Current Device (RCD) with a rated residual current of 30mA or less.

Router Table Safety

 **WARNING: ALWAYS wear personal protective equipment;**

- Hearing protection to reduce the risk of induced hearing loss
- Respiratory protection to reduce the risk of inhalation of harmful dust
- Cut-proof no-fray gloves to avoid possible injuries when handling router cutters and rough material due to sharp edges. Any gloves where fabric material can work loose with the possibility of fabric strands MUST not be used when operating the router table
- Safety glasses to avoid eye injury caused by flying particles

Ensure all people in the vicinity of the work area use adequate protection. Keep bystanders a safe distance away.

 **WARNING: ALWAYS connect the dust extraction port on the router cutter guard to a suitable vacuum dust extraction system. Certain types of wood are toxic or may cause allergic reactions** in people and animals, especially when exposed to very fine dust. ALWAYS wear appropriate respiratory protection in addition to vacuum dust extraction.

a) **ONLY fit plunge routers that are listed as compatible in 'Specification' to the Router Table.** Only fit router bits that are suitable for the installed plunge router, with shanks compatible with the collet installed.

b) **NEVER reach to the underside of the router table when the router is connected to the power supply.**

c) **ALWAYS remove the router plunge spring and plastic base plate, before fitting the tool to the router table.** This enables easy router bit change and height winder adjustment from above the table.

d) **Keep your hands away from the cutting area. NEVER pass your hands directly over, or in front of, the revolving cutter.** As one hand approaches the router bit, move it AWAY from the cutter, in an arc motion over the top of the router bit, to the out-feed side beyond the cutter. NEVER trail your fingers behind the workpiece and DO NOT use awkward hand positions. Use push sticks and blocks where necessary.

e) **Do not attempt to perform tasks on workpieces shorter than 300mm (12") in length without using special fixtures or jigs.** It is recommended to make work pieces oversize then cut to finished length.

f) **ASSESS risks, benefits and alternatives BEFORE using push sticks, push blocks or other jigs and safety devices.** In many applications the use of such contraptions is useful and safe, however, in others it can be dangerous. Push sticks can fly out of the operator's hand, when they come into contact with the revolving router bit, potentially causing serious injuries.

g) **ALWAYS support large workpieces on the in-feed and out-feed sides of the router table, and where necessary, also to the sides.** Use Triton Sliding Extension or Multi-stand wherever possible.

h) **ALWAYS use guards, fences, horizontal and vertical featherboards etc., to guide the workpiece, counteract and avoid kickback, especially when routing small or narrow workpieces.** Vertical featherboards attached to the fence also help prevent uncontrolled lift-up of the workpiece.

i) **ALWAYS remove ALL loose objects from the table before operating.** Vibrations may cause loose objects to move, and come into contact with the cutter.

j) **NEVER attempt to remove wood fragments or dust from the cutter with your hands, whilst the router bit is spinning.** ALWAYS switch the router off, disconnect the machine from the power supply, and wait until the cutter has come to a standstill. ALWAYS use cut-proof gloves when touching the cutter, to avoid injury.

k) **ALWAYS inspect the workpiece for nails, staples and other metal objects and foreign bodies.** If the router cutter hits a concealed nail, the bit may be destroyed, high-velocity projectiles may be produced, kickback can occur, all of which can lead to serious injury.

l) **WHEREVER possible, use blind cutting techniques, where the router bit does not protrude from underneath the workpiece.** Keeping the cutter on the underside of the workpiece provides additional operator protection.

m) **ONLY expose the smallest possible part of the cutter above the table surface.** Keep any unused portion of the cutter below the table surface.

n) **ALWAYS test any new setup by rotating the spindle by hand, with the machine disconnected from the power supply.** Ensure proper cutter clearance to the throat plate, fence and guard, before starting the machine.

o) **ALWAYS use suitable throat plates, providing optimum clearance around the router bit.**

p) **ALWAYS use the router cutter guard, and adjust the guard to cover as much of the router bit as possible, as close to the workpiece as possible.** This not only protects the user from accessing the revolving router cutter, it also provides effective dust extraction

q) **LIMIT the depth of cut; NEVER remove too much material in one pass.** Several passes with a smaller cutting depth are safer, and produce a better surface finish.

r) **ENSURE to adjust the router cutter speed, according to router cutter diameter and material being cut.** Use the speed selection dial on the plunge router.

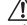
s) **ALWAYS feed AGAINST the rotation of the cutter.** Both feed direction and rotation are indicated by arrows on the router table surface.

t) **ALWAYS use the fence if using a cutter without bearing or pilot.** ALWAYS support the workpiece firmly against the fence. NEVER remove the retractable guards on the fence. ALWAYS use a cutter with bearing or pilot for freehand work.

Additional Safety Information

- ONLY use router cutters in perfect working condition compatible with the specification of the router table and which are suitable for hand feeding operation (marked 'MAN' for manual operation according to EN 847-1)
- The bit must not enter the workpiece in the same direction as the feed direction. If this occurs, it is likely to cause climb cutting, causing the workpiece to climb and pull away from the operator. This can lead to a loss of control and a potential hazard during operation
- Do not attempt to re-sharpen router cutters unless you specifically follow the manufacturer's instructions and have the equipment to complete this task. The majority of router cutters have blades that cannot be re-sharpened and must be replaced immediately if dull
- Do not create fence traps caused by improper fence location. Fence traps happen when the fence is positioned so far back that the front side of the workpiece would be behind the router cutter. These are dangerous due to the risk of climb cutting and the difficulty of keeping the workpiece against the fence
- Ensure the correct table insert (table ring) is fitted that is the correct size for the size of the router cutter fitted
- Never use a router table until fully assembled and always re-check fasteners after re-assembly after storage
- Make certain the router is not plugged into the power outlet when installing into the table or when making adjustments or changing accessories
- DO NOT plug the router into a standard mains wall socket. It must be plugged into the router table switch box so it can be switched off in an emergency
- The router table must be installed on a solid level surface and secured so the table will not tip. Use of auxiliary in-feed and out-feed supports is necessary for long or wide workpieces. Long workpieces without adequate support could cause the table to tip towards the operator causing injury
- Routers create a lot of vibration and can work loose from their mountings. Check the mountings frequently and re-tighten if necessary
- Never start the tool with the router cutter already engaged in the workpiece. This can lead to a lack of control and possible injury
- The router table is designed to cut flat, straight and squared material only. Do not cut material that is warped, uneven, weak or made from

inconsistent material. If necessary make sure material is correctly prepared before use. Incorrect material can lead to a lack of control and possible injury

 **WARNING:** Unmaintained tools can cause uncontrolled situations. ONLY use router cutters that are correctly sharpened, maintained and adjusted in accordance with the manufacturer's instructions.

Note: Seek professional training and assistance before attempting work that require procedures you are not familiar with. STOP using the router table, if, at any point during operation, you encounter difficulties or are uncertain how to proceed safely.

Product Familiarisation

1. Horizontal Featherboard T-Slot
2. Fence Face Spacer
3. Module Levelling Screw
4. Fence Micro-Adjuster
5. Vertical Featherboard
6. Guard Knob
7. Extraction Connector
8. Fence
9. Fence Knob
10. Table Scale
11. Module Levelling Screw
12. Thumb Hole
13. Featherboard Adjuster Knob
14. Fence Face
15. Module Mounting Rollers & Tracks
16. Cutter Height Winder Slot
17. Guard
18. Direction Indicator
19. Horizontal Featherboard
20. Featherboard T-Slot Knob
21. Featherboard Adjuster Knob
22. Module Levelling Bobbin Screw
23. Fence Face Adjustment Knob
24. Micro-Adjuster
25. Fence Slot
26. Fence Micro-Adjuster Knob
27. Table Scale Indicator

Intended Use

An effective router table capable of edge rebating, trenching, cross trenching, planing, edge moulding (fence and free hand), end grain work, using a template guide, and morticing. For use with the Triton Workcentre TWX7 and Triton Routers.

Unpacking Your Tool

- Carefully unpack and inspect your new tool. Familiarise yourself with all its features and functions
- Ensure that all parts of the tool are present and in good condition. If any parts are missing or damaged, have such parts replaced before attempting to use this tool

IMPORTANT: Read these instructions in combination with the instructions supplied with your Triton router and the Triton Workcentre.

For instruction video, please go to www.tritontools.com

Before Use

 **WARNING:** Ensure the router is switched off and disconnected from the power supply before attaching or changing any accessories, inserting or removing modules or making any adjustments.

Installing and removing the router module

See 'Installing and removing modules' in the main Workcentre TWX7 manual for a complete guide.

WARNING: Lower the router cutter to a safe height position before installing or removing the router table module.

WARNING: Some modules are heavy, especially with power tools installed. ALWAYS grip modules with both hands, ensure secure footing, stand upright, and avoid awkward movements when removing and fitting modules

IMPORTANT: Always lower modules carefully using both the provided Thumb Holes. Uncontrolled lowering can cause Workcentre, module and power tool damage as well as possible injury to the operator.

 **WARNING:** Do not place fingers and/or body parts between the module and the Workcentre chassis. See Fig. L

To remove: Toggle the Module Locks to the unlocked position (see Fig. M). Using both Thumb Holes (12) to tilt the module to 45° then slide and lift out

To insert: Locate the Module Mounting Rollers in the Module Mounting Tracks (15) as a hinging point and lower the insert down. Use the Thumb Holes to lower to a level position and then re-lock the Module Locks

Note: Modules can be stood upright by angling them to around 120°. This position can be used when adjustments on the underside of modules are necessary, e.g. adjustments to the fitted power tools, and there is no need to remove the module.

Assembling the router table module

- Use the Figures provided; A-K to assemble the router table module. Step B requires additional information below.

Note: P1-6 on Fig.A is the Starting Pin for freehand operation and only requires fitting for freehand operation.

Fitting a Triton router to the router mounting plate

- The mounting plate is on the underside of the table and has been designed for direct mounting of any of the three Triton Routers (JOF001, MOF001 and TRA001)

WARNING: Remove the plunge spring to configure the router for table-mounted operation. See the original router manual for procedure. Store the spring carefully as it will need to be re-fitted when the router is removed from the router table module.

1. Remove the plastic cover of the base plate of the router by removing the securing screws. The screws and plastic base plate should be safely stored for when they may need to be re-fitted in the future
2. Ensure the base of the router is completely clean so it will be level with the mounting plate when fitted
3. Loosen the two mounting knobs on the router until they are approximately 10mm above the base of the router when pushed down
4. Push down on the mounting knobs until the bolt heads locate into the keyholes and rotate the router anticlockwise until the knobs align with the small triangle holes (Fig. B)
5. Tighten the mounting knobs firmly
6. Ensuring all mains power is switched off, connect the power cable plug of the power tool to the mains socket of the Workcentre not directly to a wall socket or other mains outlet

Note: Early Triton TRA001 routers do not feature a table winder connector.

Levelling the throat plate

1. Level the throat plate in the router table using a square and the supplied hex key to adjust the levelling screws (see Fig. N)
2. Fit the three Throat Plate Screws (P8) to secure the throat plate in position
3. Check the throat plate is level with the table surface

IMPORTANT: Always ensure the correct throat plate is used for the fitted router bit.

Levelling the router module

- All modules must be adjusted so they are level with the Workcentre chassis, to achieve accurate results and for safe operation. Therefore all modules are equipped with seven Module Levelling Screws (11)

1. Fit the module into the Workcentre chassis and lock both Module Locks (20)
2. Tighten the three Module Levelling Bobbin Screws (11), until there is no movement between the module and the Workcentre

- chassis
- Place a straight edge over the corner, across the levelling screws, and check for gaps
 - Adjust the Module Levelling Screws, using the provided hex key, until both sides of the corner are flush with the Workcentre chassis
 - Repeat for the remaining three corners and the single Module Levelling Screw in the middle of the long side of the module.
 - Check all sides of the module are flush with the Workcentre chassis by placing a straight edge over the module, perpendicular to the long and short sides, as well as diagonally over the table. Fine-adjust and re-check where necessary

Dust extraction

WARNING: ALWAYS use a suitable vacuum cleaner or workshop dust extraction system.

WARNING: Some dust from natural wood, surface coatings and composite materials contains toxic substances. ALWAYS dispose of harmful dust according to laws and regulations.

- While dust extraction can be achieved using any vacuum cleaner, domestic (bag-type) units can fill up very quickly. For a much larger capacity, consider fitting a Triton Dust Collector (DCA300) to your vacuum cleaner
- The combined electrical load of the router and vacuum cleaner may exceed the rated amperage of the domestic extension lead or power outlet. Always connect the vacuum cleaner and router to separate electrical outlets, and switch on both appliances separately

Operation

WARNING: ALWAYS wear eye protection, adequate respiratory and hearing protection, as well as suitable gloves, when working with this tool.

IMPORTANT: The router table is marked with the feed direction. This indicates the correct and safest direction for the workpiece when making the cut.

WARNING: Do not over-balance the Workcentre by using very large workpieces.

Note: Refer to your original TWX7 Workcentre instructions for full information and diagrams that refer to parts of the Workcentre.

Workcentre switchbox operation

IMPORTANT: The switchbox requires a live mains connection to switch ON. It will reset to OFF as soon as power is disconnected and require resetting to ON when power is restored to continue operation.

Switching on and off

Note: Refer to your router manual for additional information

- The Workcentre ON/OFF Switch is located at the front
 - Connect the Workcentre mains lead to a wall socket and switch on
 - Switch the Workcentre ON/OFF Switch into the '0' position by pushing on the emergency stop flap
 - Switch on the power tool by pressing the ON/OFF Switch into the 'I' position
 - Switch the Workcentre ON/OFF Switch into the '1' position to power the tool to use
- Press down on the emergency stop flap to switch off

User position and feed direction

- The main user position is defined by the location of the safety cut-off switch
- ALWAYS remain positioned in close proximity to the switch, so the machine can be instantly switched off in the case of emergency
- Feed workpieces from this position in the direction indicated by the arrows on the table surface of the individual module

Fitting and removing router bits

WARNING: Do not use Router Cutters that exceed 50mm in diameter with the router table module.

- Switch off the router with the power switch fitted to the tool itself
- Fit the table winder through the router table and wind to raise the router cutter and collet
- Use the router collet spanner to remove and replace the existing router bit
- Wind the table winder so the router bit is at the correct height position
- Ensuring the Workcentre power switch is set to 'Off', return the router on/off switch to the on/position

IMPORTANT: Do not use the table winder while the router is powered.

IMPORTANT: Refer to the router manual for details of compatible router bit types and sizes.

Using the guard

- Ensure the Guard (17) is used whenever possible and set to the correct height position to ensure maximum protection for the operator's hands

Using the fence micro adjusters

- Screw the thumbwheels on the Fence Micro-Adjusters (4) out to provide sufficient adjustment. Tighten the micro-adjusters in position against the rear of the fence and screw the thumbwheels in to obtain the required rebate amount. One complete turn is 1mm
- Unlock the fence, move it back against the micro-adjusters and re-lock

Using the fence

- The Fence Faces (14) should always be positioned as close to the cutter as possible. Position them by sliding forward or backward. Ensure they are tensioned firmly enough to resist unwanted movement

Using the featherboards

IMPORTANT: Horizontal and vertical featherboards should not overlap in use. A minimum gap of 10mm is required. See Fig. Q

Both the Vertical Featherboard (5) and Horizontal Featherboard (19) are used to apply light pressure to the workpiece to hold it more securely as it is cut.

- Each featherboard has a short plastic pin (Fig O); this indicates the workpiece line. Adjust both the Vertical Featherboard and Horizontal Featherboard so this shorter pin just touches the workpiece so the longer pins are correctly tensioned against the workpiece in use
- The exposed router bit cutter height should not exceed the height of the installed horizontal featherboards. Horizontal featherboards can be stacked to allow for a higher exposed cutter and taller workpieces. This is an additional purchase TWX7FB.

Stacked	1	2	3	4
Height	9.5mm	15mm	44mm	50mm

Using the fence spacers

Planing cuts should be performed with the cutter mostly hidden behind the Fence Faces (14) (Fig. R & S)

WARNING: NEVER make planing cuts with the workpiece passing between the cutter and fence on the right. The cutter will flex aside, 'climb up' on the work, and rip the workpiece out of your hands - or even pull your hand into the cutter

Planing on the router fence

- Planing cuts of 0.5, 1.0, 1.5 and 2.0mm can be performed using the Fence Face Spacers (2)

Method 1

- Ensure the Fence Faces are close to the cutter
- Push the spring-loaded left Fence Face away from the fence and slide the two Fence Face Spacers into the gaps created at the required rotation for the maximum cut depth required as marked on the spacer
- Use a wooden straight edge to align the cutter blade with the left Fence Face only. Begin the cut

Method 2

- Ensure the Fence Faces are close to the cutter
- Set Micro-Adjusters (24) to mid travel; ensure marks are aligned

- Use a wooden straight edge to align the cutter blade with the Fence Faces. Push the Micro-Adjusters into contact with the Fence. Lock the Fence in this position
- Decide on cut depth required. Wind both Micro-Adjusters clockwise by this depth. Unlock the Fence and push back into contact with the Micro-Adjusters
- Push the spring-loaded left Fence Face away from the Fence and slide the two Fence Face Spacers into the gaps created at the required rotation for the maximum cut depth required as marked on the spacer. Begin the cut

Fitting the starting pin

- A Starter Pin can be fitted to the router table to assist freehand routing. For freehand operation, configure the router table as Fig. P
- Ensure the guard is correctly adjusted to the correct height to provide maximum protection to the operator's hands (Fig. T)
- In use, the workpiece should contact the starter pin first and be angled from that position to the cutter for the first cut

Accessories

- A wide range of accessories and consumables, in addition to those listed below, is available from your Triton stockist. Spare parts can be obtained from toolsparsonline.com

Triton code	Description
TWX7P	Protractor
TWX7FB	Featherboard Pack

Maintenance

WARNING: ALWAYS disconnect from the power supply before carrying out any inspection, maintenance or cleaning.

General inspection

- Check regularly that all the fixing screws are tight and all parts are undamaged and in good condition. Do not use the router table until any faulty, damaged or heavily worn parts are replaced
- Inspect the supply cord of the tool, prior to each use, for damage or wear. Repairs should be carried out by an authorised Triton service centre. This advice also applies to extension cords used with this tool

Cleaning

- Keep your tool clean at all times. Dirt and dust will cause internal parts to wear quickly, and shorten the machine's service life. Clean the body of your machine with a soft brush, or dry cloth. If available, use clean, dry, compressed air to blow through the ventilation holes
- Clean the tool casing with a soft damp cloth using a mild detergent. Do not use alcohol, petrol or strong cleaning agents
- Never use caustic agents to clean plastic parts

Lubrication

- Slightly lubricate all moving parts at regular intervals with a suitable spray lubricant

Storage

- Store this tool carefully in a secure, dry place out of the reach of children

Disposal

Always adhere to national regulations when disposing of power tools that are no longer functional and are not viable for repair.

- Do not dispose of power tools, or other waste electrical and electronic equipment (WEEE), with household waste
- Contact your local waste disposal authority for information on the correct way to dispose of power tools

Troubleshooting

Problem	Possible cause	Solution
No function when power turned on	No power	Check power supply
	Router unit's power switch is off	Reset router power switch
Table module is not level	Levelling screws are not correctly adjusted	Refer to 'Levelling the router module' section
	Rough surface	Ensure the Workcentre is situated on a secure flat surface. Relocate the table if the ground is found to be rough
Unknown mechanical noise	Check router cutter is correctly fitted	Tighten collet assembly
	Other fittings have worked loose	Check fittings
	Router has worked loose from router mounting	Secure router correctly and tighten fittings
Large amount of chippings and dust in use	Check vacuum system bag or cylinder is not full	Replace bag or empty cylinder
	Check dust extraction is switched on	Switch on
	Check dust extraction is properly connected	Make sure everything is correctly assembled along the whole dust extraction assembly and hose
Poor quality results	Check router cutter is sharp and in good condition	Replace if dull or worn
	Check router speed is correct	Set the speed correctly on router unit
	Cut is too deep per pass	Complete work in multiple passes
Workpiece difficult to control	Workpiece incorrectly positioned	Read Router Table Safety section and also refer to your original Router Manual for additional safety information
	Fence incorrectly positioned	
	Workpiece direction incorrect	
	Featherboards not correctly used	

Guarantee

To register your guarantee visit our web site at www.tritontools.com* and enter your details.

Your details will be included on our mailing list (unless indicated otherwise) for information on future releases. Details provided will not be made available to any third party.

Purchase Record

Date of Purchase: ___ / ___ / ____

Model: TWX7RT001 Retain your receipt as proof of purchase

Triton Precision Power Tools guarantees to the purchaser of this product that if any part proves to be defective due to faulty materials or workmanship within 3 YEARS from the date of original purchase, Triton will repair, or at its discretion replace, the faulty part free of charge.

This guarantee does not apply to commercial use nor does it extend to normal wear and tear or damage as a result of accident, abuse or misuse.

* Register online within 30 days.

Terms & conditions apply.

This does not affect your statutory rights

Vertaling van de originele instructies

Introductie

Hartelijk dank voor de aanschaf van dit Triton-gereedschap. Deze instructies bevatten informatie die u nodig hebt voor een veilige en doeltreffende bediening van dit product. Dit product heeft unieke kenmerken. Zelfs als u bekend bent met gelijksoortige producten dient u deze handleiding zorgvuldig door te lezen, zodat u in staat bent alle voordelen te benutten. Houd deze handleiding bij de hand en zorg ervoor dat alle gebruikers van dit gereedschap de handleiding hebben gelezen en volledig hebben begrepen.

Beschrijving symbolen

Op het gegevensplaatje van uw gereedschap kunnen zich symbolen bevinden. Deze vertegenwoordigen belangrijke productinformatie en gebruiksinstructies.



Draag gehoorbescherming
Draag een veiligheidsbril
Draag een stofmasker
Draag een veiligheidshelm



Draag handschoenen



Lees de handleiding



Let op: terugslaggevaar!



Waarschuwing: scherpe bladen of tanden!



Enkel geschikt voor binnen gebruik!



Gebruik niet de regen of in vochtige omstandigheden!



WAARSCHUWING: Bewegende delen kunnen ernstig letsel veroorzaken.



Voorzichtig!



Giftige dampen of gasen!



NIET AANRAKEN! Raak de beschermkap niet aan voordat u de machine ontkoppeld van de stroombron. Houdt kinderen en omstanders tijdens gebruik op afstand. Afleidingen resulteren mogelijk in controleverlies. Houd alle omstanders op een veilige afstand.



Ontkoppel de machine van de stroombron voor het maken van aanpassingen, het verwisselen van accessoires, het schoonmaken, het uitvoeren van onderhoud en wanneer de machine niet in gebruik is!

Technische afkortingen

V	Volts
~, AC	Wisselspanning
A, mA	Ampère
π	Onbelaste snelheid
\emptyset	Diameter
°	Graden
λ	Golflengte
Hz	Hertz
---, DC	Directe spanning
W, kW	Watt, kilowatt
/min or min⁻¹	Operations per minute
dB(A)	Decibel geluidsniveau (A)
m/s²	Meters per seconden (trillingsniveau)

Specificaties

Modelnummer:	TWX7RT001
Compatibele bovenfrezes:	Triton TRA001 Triton MOF001 Triton JOF001
Freestafelblad afmetingen:	660 x 410 mm
Workcenter tafelblad afmetingen:	904 x 708 mm
Geleider afmetingen:	680 x 85mm
Geleider dikte:	21,4 mm
MDF geleider afmetingen (x2):	340 x 75 mm
Max. MDF geleider mondopening:	90 mm
Verstelbare geleider positie:	+25/-125 mm
Geleider microstellers:	1 mm (één volledige draai)
Afstandsplaat instellingen:	0,5, 1,0, 1,5, 2,0 mm
Beschermers lengte:	0-76 mm
Drukelement stapelhoogte:	1: 9,5 mm, 2:15 mm, 3: 44 mm, 4: 50 mm
Maximale keelplaat freesbit diameter (D _{max}):	Groot - 50 mm Middel - 40 mm Klein - 20 mm
Stofontginning aansluiting (dia.):	31,75 mm hoge druk / 62,5 mm lage druk
Netto gewicht:	9,9 kg

Algemene veiligheid

WAARSCHUWING: Bij het gebruik van elektrische machines horen basis veiligheidsvoorzorgmaatregelen opgevolgd te worden om de kans op brand, elektrische schokken en persoonlijk letsel te minimaliseren. Lees de instructies voor gebruik volledig door en bewaar deze bij de machine voor toekomstig gebruik.

WAARSCHUWING: De machine is niet geschikt voor gebruik door personen met een verminderde mentale of fysieke bekwaamheid of een gebrek aan ervaring, tenzij de persoon wordt begeleid of geïnstrueerd door een persoon verantwoordelijk voor de veiligheid

LET OP: Het gebruik van de machine voor doeleinden, anders dan waarvoor de machine is bestemd resulteert mogelijk in gevaarlijke situaties en serieus persoonlijk letsel

De term "elektrisch gereedschap" in alle hieronder vermelde waarschuwingen heeft betrekking op uw elektrische gereedschap dat op de stroom is aangesloten (met een snoer) of met een accu wordt gevoed (snoerloos).

1 - **Veiligheid in de werkruimte** - Rommelige en donkere ruimtes leiden vaak tot ongelukken.

2 - **Denk aan de werkplaatsomgeving**

- Stel gereedschap niet bloot aan regen
- Gebruik gereedschap niet in vochtige of natte omstandigheden
- Houdt uw werkplaats goed verlicht
- Gebruik gereedschap niet in de nabijheid van ontvlambare vloeistoffen of gassen

3 - **Bescherm uzelf tegen elektrische schok** - Voorkom het contact met geaarde oppervlakken (als leidingen, radiatoren, koelkasten).

4 - **Houd kinderen en omstanders uit de buurt** - Laat mensen, vooral kinderen, de machine en verlengsnoeren niet aanraken en houd ze op afstand

5 - **Berg gereedschap wat niet in gebruik is op** - Berg gereedschap dat niet in gebruik is op een droge plek, buiten het bereik van kinderen op

6 - **Forceer gereedschap niet** - Uw machine functioneert optimaal op de bestemde gebruikssnelheid

7 - **Gebruik de juiste machine** - Forceer kleine machine niet voor het uitvoeren van grote werkzaamheden. Gebruik gereedschap niet voor doeleinden waarvoor ze niet bestemd zijn.

8 - **Draag de juiste uitrusting**

- Loshangende kleding en sieraden kunnen door bewegende onderdelen gegrepen worden
- Het dragen van niet-slippende schoenen is aangeraden voor buitenwerk
- Bedek lang haar

9 - **Draag de benodigde beschermingsmiddelen**

- Draag een veiligheidsbril
- Draag een stofmasker bij stof producerende werkzaamheden

WAARSCHUWING: Wanneer de beschermende uitrusting niet gedragen wordt is de kans opeen ongeval groter en is de ernst van voorvallende ongevallen groter

10 - **Sluit gereedschap op een stof-ontginningssysteem aan** - Wanneer de machine is voorzien van een stofpoort, sluit u deze op een ontginningssysteem aan

11 - **Misbruik het stroomsnoer niet** - Trek nooit aan het stroomsnoer om de stekker uit het stopcontact te halen. Houdt het stroomsnoer uit de buurt van warmte, olie en scherpe randen. Beschadigde snoeren vergroten de kans op elektrische schok

12 - **Klem uw werk vast** - Klem uw werkstuk wanneer mogelijk stevig vast

13 - **Reik niet te ver** - Blijf altijd stevig en in balans staan

14 - **Onderhoud uw gereedschap zorgvuldig**

- Het scherp en schoon houden van snijgereedschap zorgt voor een gemakkelijker machine controle en een kleinere kans op het buigen en breken
- Volg smeerinstructies op
- Controleer stroomsnoeren regelmatig op beschadiging en laat deze bij een geautoriseerd service center repareren
- Laat stroomsnoeren bij een geautoriseerd service center vervangen
- Houdt handvaten schoon, droog en vrij van olie en vet

WAARSCHUWING: Velen ongelukken worden veroorzaakt door slecht onderhouden machines

15 - **Ontkoppel machines van de stroombron** - wanneer niet in gebruik, voor onderhoud en bij het vervangen van accessoires ontkoppelt u de machine van de stroombron

16 - **Verwijder sleutels** - Maak van het controleren op gereedschapssleutels een gewoonte

17 - **Voorkom onnodig starten** - Zorg ervoor dat de aan-/uitschakelaar bij het aansluiten op de stroombron, het plaatsen van een accu of het vervoeren in de uit-positie staat

WAARSCHUWING - Het onnodig starten van de machine kan leiden tot serieuze verwondingen

18 - **Het gebruik van buiten verlengsnoeren** - Wanneer gereedschap buiten gebruikt wordt, maakt u gebruik van verlengsnoeren, geschikt voor buiten. Dit vermindert de kans op elektrische schok

Probleemopsporing

Probleem	Mogelijke oorzaak	Oplossing
De machine werkt niet wanneer deze ingeschakeld wordt	Geen stroom	Controleer de stroombron
	De aan-/uitschakelaar van de bovenfrees staat in de uit-stand	Plaats de schakelaar i de aan-stand
Het tafelblad ligt niet evenwijdig aan het Workcenter frame	De uittijningsschroeven zijn niet juist versteld	Verwijs naar 'Het uittijnen van het freestafelblad'
	Ongelijke ondergrond	Zorg ervoor dat het Workcenter op een volledig vlakke ondergrond staat
Onbekend mechanisch geluid	Controleer of de bovenfrees juist gemonteerd is	Draai de ashals samenstelling vast
	Andere aansluitingen zitten los	Controleer alle aansluitingen
	De bovenfrees is los gekomen van de montageplaat	Monteer de bovenfrees juist op de plaat
Grote hoeveelheid houtsplinters en zaagsel	Controleer of de stofzak of stofemmer vol zit	Vervang de zak of leeg de emmer
	Controleer of de stofontginning ingeschakeld is	Schakel de stofontginning in
	Controleer of de stofontginning juist aangesloten is	Zorg ervoor dat de stofontginning juist aangesloten is
Slechte freesresultaten	Controleer of het freesbit scherp is en in goede staat verkeerd	Vervang wanneer bot of versleten
	Controleer de freessnelheid	Stel de juiste freessnelheid op de bovenfrees
	Te diepe freesdoorgangen	Voltooi het werk in meerdere, ondiepe doorgangen
Het werkstuk is moeilijk onder controle te houden	Onjuist gepositioneerd werkstuk	Verwijs naar de juiste sectoren in deze handleiding voor een juiste verstelling
	Onjuist gepositioneerde geleider	
	Onjuist werkstuk voedrichting	
	Onjuist gestelde drukelementen	

Garantie

Om uw garantie te registreren, gaat u naar onze website op www.tritontools.com* en voert u uw gegevens in.

Uw gegevens worden opgeslagen in onze mailinglist (tenzij u anders aangeeft) voor informatie over nieuwe producten. De ingevulde gegevens worden aan geen enkele andere partij beschikbaar gesteld.

Aankoopgegevens

Datum van aankoop: ___ / ___ / ____

Model: TWX7RT001 Bewaar uw aankoopbon als aankoopbewijs rt pr

Triton Precision Power Tools garandeert de koper van dit product dat indien een onderdeel defect is vanwege fouten in materiaal of uitvoering binnen 3 jaar na de datum van de oorspronkelijke aankoop, Triton het defecte onderdeel gratis repareert of, naar eigen inzicht, vervangt.

Deze garantie heeft geen betrekking op commercieel gebruik en strekt zich niet uit tot normale slijtage of schade ten gevolge van een ongeluk, verkeerd gebruik of misbruik.

* Registreer online binnen 30 dagen.

Algemene voorwaarden van toepassing.

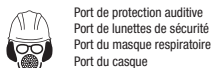
Introduction

Nous vous remercions d'avoir choisi cet équipement Triton. Ces instructions contiennent les informations nécessaires pour vous en garantir un fonctionnement efficace et en toute sécurité. Veuillez lire attentivement ce manuel pour vous assurer de tirer pleinement avantage des caractéristiques uniques de votre nouvel équipement.

Gardez ce manuel à portée de main et assurez-vous que tous les utilisateurs l'aient lu et bien compris avant toute utilisation. Conservez-le pour toute référence ultérieure.

Description des symboles

La plaque signalétique figurant sur votre outil peut présenter des symboles. Ces symboles constituent des informations importantes relatives au produit ou des instructions concernant son utilisation.



Port de protection auditive
Port de lunettes de sécurité
Port du masque respiratoire
Port du casque



Port de gants



Lire le manuel d'instructions



Attention à l'effet de rebond !



Attention : lames ou dents coupantes !



Usage à l'intérieur seulement !



NE PAS utiliser sous la pluie ou dans un environnement humide !



ATTENTION : les pièces mobiles peuvent engendrer des écrasements et des coupures.



Attention !



Gaz ou fumées toxiques !



NE PAS toucher ! NE PAS accéder à la garde sans débrancher du courant. Maintenir les enfants et autres personnes à distance lors de l'utilisation de cette machine. Les distractions peuvent entraîner une perte de contrôle. Les visiteurs doivent être maintenus à distance.



Débranchez toujours l'appareil avant d'effectuer un réglage, changer d'accessoire, de le nettoyer, de l'entretenir, ou lorsqu'il n'est plus utilisé.

Abréviations pour les termes techniques

V	Volts
~, AC	Courant alternatif
A, mA	Ampère, milliampère
n_0	Vitesse à vide
\emptyset	Diamètre
°	Dégrés
λ	Longueur d'onde
Hz	Hertz
---, DC	Courant continu
W, kW	Watt, kilowatt
/min or min^{-1}	Opérations par minute
dB(A)	Niveau d'intensité sonore (pondéré A)
m/s^2	Mètres par second au carré (magnitude de la vibration)

Caractéristiques techniques

Numéro de modèle :	TWXZRT001
Défonceuse compatible :	TRA001 Triton MFO001 Triton JOF001 Triton
Taille du module défonceuse :	660 x 410 mm
Taille de la table du Workcentre :	904 x 708 mm
Taille des guides extrudés :	680 x 85 mm
Épaisseur des guides extrudés :	21,4 mm
Taille de la face du guide MDF (x2) :	340 x 75 mm
Ouverture max. du guide MDF :	90 mm
Réglage de la position du guide :	+25/-125 mm
Micro-réglage du guide :	1 mm (une révolution complète)
Réglages des barres d'espacement :	0,5, 1,0, 1,5, 2,0 mm
Hauteur de la garde :	0-76 mm
Hauteur des peignes :	1 : 9,5 mm, 2 : 15 mm, 3 : 44 mm, 4 : 50mm
Diamètre de la plaque à gorge de la fraise (Dmax) :	Large - 50 mm Medium - 40 mm Petit - 20 mm
Diamètre du tube d'extraction de poussière :	31,75 mm haute pression / 62,5 mm basse pression
Poids net :	9,9 kg

Consignes générales de sécurité relatives aux appareils électriques

ATTENTION ! Veuillez lire l'intégralité des consignes de sécurité et des instructions. Le non-respect de ces consignes et instructions peut entraîner un risque de choc électrique, d'incendie et/ou de blessures graves.

ATTENTION : Cet appareil n'est pas conçu pour être utilisé par des personnes (enfants compris) ayant des capacités physiques ou mentales réduites, ou n'ayant pas la connaissance ou l'expérience requise, à moins d'être sous la supervision d'une personne responsable de leur sécurité ou d'avoir reçu les instructions nécessaires. Les enfants ne doivent pas s'approcher et jouer avec cet appareil.

AVERTISSEMENT : Utiliser l'appareil électrique, les accessoires et outils à monter conformément à ces instructions, en tenant compte des conditions de travail et de la tâche à réaliser. Toute utilisation d'un appareil électrique autre que celle pour laquelle il a été conçu peut entraîner des situations à risque.

L'expression « appareil électrique » employée dans les présentes consignes recouvre aussi bien les appareils filaires à brancher sur le secteur que les appareils sans fils fonctionnant sous batterie.

- Maintenir une zone de travail propre.** Des zones encombrées et mal éclairées sont sources d'accidents.
 - Prendre en compte la zone de travail :**
 - Ne pas exposer les outils à la pluie,
 - Ne pas utiliser les outils dans des endroits humides,
 - Travailler dans une zone bien éclairée,
 - Ne pas utiliser d'outils électriques dans des environnements explosifs, tels qu'à proximité de liquides, de gaz ou de poussières inflammables.
 - Éviter les décharges électriques :** Éviter le contact corporel avec les surfaces mises à la terre telles que tuyaux, radiateurs, cuisinières et réfrigérateurs.
 - Éloigner les personnes aux alentours.** Ne laisser aucune personne dont la présence n'est pas nécessaire, surtout les enfants, s'approcher de la zone de travail et d'être en contact avec l'appareil.
 - Ranger les appareils électriques inutilisés** dans un endroit sûr, sec et hors de portée des enfants.
 - Ne pas forcer sur l'appareil électrique.** Un appareil électrique adapté et employé au rythme pour lequel il a été conçu permettra de réaliser un travail de meilleure qualité et dans de meilleures conditions de sécurité.
 - Utiliser l'appareil électrique approprié au travail à effectuer.** Ne pas utiliser de petits outils pour de tâches lourdes.
 - Porter des vêtements appropriés.**
 - Ne pas porter de vêtements amples ou des bijoux pendents qui peuvent être happés par les pièces en rotation.
 - Le port de chaussures antidérapantes est recommandé en extérieur.
 - Attacher ou protéger les cheveux longs.
 - Porter un équipement de protection approprié.**
 - Porter une protection oculaire.
 - Porter un masque à poussières lors de travaux créant de la poussière.
- ATTENTION :** Ne pas porter d'équipements de protection ou de vêtements appropriés peut engendrer et aggraver des blessures.
- Brancher un système d'extraction de la poussière :** si l'appareil est pourvu de dispositifs destinés au raccord d'équipements d'extraction et de récupération de la poussière/sciure, s'assurer qu'ils soient bien fixés et utilisés correctement.
 - Ne pas maltraiter le cordon électrique.** Ne jamais utiliser le cordon électrique pour porter, tirer ou débrancher l'appareil. Protéger le cordon électrique de la chaleur, du contact avec l'essence, des bords tranchants et pièces rotatives. Un cordon électrique endommagé ou entortillé accroît le risque de décharge électrique.
 - Immobiliser votre travail.** Si possible, utiliser des serre-joints ou un étai pour maintenir la pièce de travail. C'est plus sûr et efficace que de tenir avec la main.
 - Ne pas essayer d'atteindre une zone hors de portée.** Se tenir TOUJOURS s en position stable permettant de conserver l'équilibre.
 - Veiller à l'entretien des appareils électriques.**
 - Veiller à ce que les outils de coupe soient tenus affûtés et propres.
 - Suivre les instructions de lubrification et de changement des accessoires.
 - Vérifier régulièrement les câbles et les faire réparer /remplacer par un centre agréé.
 - Vérifier également l'état des rallonges utilisées.
 - Travailler avec des mains propres (sans graisse ni huile) et sèches.

ATTENTION : de nombreux accidents sont dus à l'utilisation d'appareils électriques mal entretenus

15. Débrancher l'appareil électrique. Lorsque l'appareil n'est pas utilisé, ou avant toute opération d'entretien ou de changement d'accessoires, veiller à débrancher l'appareil de sa source d'alimentation.

ATTENTION : utiliser des accessoires non recommandés par le fabricant peut engendrer des blessures.

Si mon appareil ne fonctionne pas

Problème	Cause possible	Solution
Ne fonctionne pas lors de la mise en marche	Pas de courant	Vérifiez l'alimentation
	L'interrupteur de la défonceuse est en position arrêt	Mettez l'interrupteur en position marche
La table n'est pas à niveau	Les vis de mise à niveau ne sont pas correctement réglées	Référez-vous à la section « Mettre le module de niveau »
	La surface n'est pas à niveau	Assurez-vous que le Workcentre est sur une surface plane et sûre. Déplacez la table si le sol n'est pas adapté.
Bruit mécanique inconnu	Vérifiez que la fraise est bien installée	Serrez la pince de serrage
	Les éléments de l'assemblage se sont desserrés	Vérifiez les assemblages
	La défonceuse s'est desserrée	Installez la défonceuse correctement et serrez les vis
Production de beaucoup de copeaux et de poussières	Vérifiez que l'aspirateur n'est pas plein	Remplacez le sac ou videz la cuve de l'aspirateur
	Vérifiez que l'extracteur de poussières est en marche	Mettez en marche
	Vérifiez que l'extracteur est branché correctement	Vérifiez que tous les éléments sont installés correctement depuis l'extracteur jusqu'à l'aspirateur
Résultat de mauvaise qualité	Vérifiez que la fraise est en bon état	A remplacer si usée ou abîmée
	Vérifiez la vitesse de la fraise	Vérifiez que la vitesse est correctement réglée sur la défonceuse
	Coupe trop profonde	Progresser en plusieurs étapes
Pièce difficile à contrôler	Position de la pièce de la pièce à travailler incorrecte	Lisez les consignes de sécurité relatives à la table de défonceuse et référez-vous au manuel de la défonceuse pour plus d'information relative à la sécurité.
	Position incorrecte du guide	
	Direction de la pièce incorrecte	
	Utilisation incorrecte des peignes	

Garantie

Pour valider votre garantie, rendez-vous sur notre site internet www.tritontools.com* et saisissez vos coordonnées.

Vos coordonnées seront introduites dans notre liste de diffusion (sauf indication contraire) afin de vous tenir informé sur nos prochaines nouveautés. Les informations que vous nous fournirez ne seront pas communiquées à des tiers.

Pense-bête

Date d'achat : ___/___/___

Modèle: TWX7RT001 Veuillez conserver votre ticket de caisse comme preuve d'achat.

Si toute pièce de ce produit s'avérait défectueuse du fait d'un vice de fabrication ou de matériau dans les 3 ANS suivant la date d'achat, Triton Precision Power Tools s'engage auprès de l'acheteur de ce produit à réparer ou, à sa discrétion, à remplacer gratuitement la pièce défectueuse.

Cette garantie ne s'applique pas à l'utilisation commerciale et ne s'étend pas non plus à l'usure normale ou aux dommages causés par des accidents, des mauvais traitements ou une utilisation impropre.

* Enregistrez votre produit en ligne dans les 30 jours suivant la date d'achat.

Offre soumise à conditions.

Ceci n'affecte pas vos droits statutaires.

Übersetzung der Originalbetriebsanleitung

Einführung

Vielen Dank, dass Sie sich für dieses Triton-Werkzeug entschieden haben. Diese Anleitung enthält wichtige Informationen für das sichere und effektive Arbeiten mit diesem Produkt. Bitte lesen Sie diese Anleitung sorgfältig durch, um den größtmöglichen Nutzen aus dem einzigartigen Design dieses Produkts ziehen zu können. Bewahren Sie diese Anleitung griffbereit auf und sorgen Sie dafür, dass alle Benutzer dieses Geräts sie gelesen und verstanden haben.

Symbolerklärung

Auf dem Typenschild des Werkzeugs sind möglicherweise Symbole abgebildet. Sie vermitteln wichtige Informationen über das Produkt oder dienen als Gebrauchsanweisung.



Gehörschutz tragen
Augenschutz tragen
Atemschutz tragen
Kopfschutz tragen



Schutzhandschuhe tragen



Bedienungsanleitung sorgfältig lesen



Achtung: Rückschlaggefahr!



WARNUNG! Scharfe Sägeblätter/-zähne!



Nur für den Innengebrauch!



Nicht im Regen oder in feuchter Umgebung verwenden!



WARNUNG! Risiko von Quetsch- und Schnittverletzungen durch bewegliche Teile!



Achtung, Gefahr!



Giftige Dämpfe oder Gase!



NICHT berühren! Schutzvorrichtung nicht bei Anschluss des Gerätes ans Stromnetz berühren. Kinder und umstehende Personen während des Betriebs des Elektrowerkzeugs fernhalten. Bei Ablenkung droht ein Kontrollverlust. Alle Umstehenden müssen einen sicheren Abstand zum Arbeitsbereich einhalten.



Vor Einstellungsänderungen, Zubehöerwechseln, Reinigungs- und Instandhaltungsarbeiten sowie bei Nichtgebrauch stets von der Spannungsversorgung trennen!

Verzeichnis der technischen Symbole und Abkürzungen

V	Volt
~, AC	Wechselstrom
A, mA	Ampere, Milliampere
n ₀	Leerlaufdrehzahl
Ø	Durchmesser
°	Grad
λ	Wellenlänge
Hz	Hertz
---, DC	Gleichstrom
W, kW	Watt, Kilowatt
/min oder min ⁻¹	Umdrehungen pro Minute
dB(A)	Schallpegel in Dezibel (A-bewertet)
m/s ²	Quadratmeter pro Sekunde (Schwingungsstärke)

Technische Daten

Modellbezeichnung:	TWX7RT001
Fräsenkompatibilität:	Triton TRA001 Triton MOF001 Triton JOF001
Abmessungen Frästischmodul:	660 x 410 mm
Abmessungen Workcenter-Tischplatte:	904 x 708 mm
Abmessungen Profilanschlag:	680 x 85 mm
Stärke des Profilanschlags:	21,4 mm
Abmessungen MDF-Anschlagflächen (2 Stck.):	340 x 75 mm
Öffnung der MDF-Anschlagfläche:	max. 90 mm
Einstellbare Anschlagposition:	+25/-125 mm
Anschlags-Feinjustierungen:	1 mm (eine volle Umdrehung)
Spacer bar settings:	0,5, 1,0, 1,5, 2,0 mm
Einstellungen für die Distanzhalter:	0,5 mm, 1,0 mm, 1,5 mm, 2,0 mm
Schutzhaubenhöhe:	0-76 mm
Stapelhöhe Druckkämme:	1: 9,5 mm, 2: 15 mm, 3: 44 mm, 4: 50 mm
Max. Durchmesser von Stichplattenfräsern (Dmax):	Groß: - 50 mm Mittelgroß: - 40 mm Klein: - 20 mm
Staubabsaug-Anschlussstück:	Hochdruck: Ø 31,75 mm , Niederdruck: Ø 62,5 mm
Eigengewicht:	9,9kg

Allgemeine Sicherheitshinweise

WARNUNG! Bei der Benutzung von Elektrowerkzeugen müssen stets grundlegende Sicherheitsmaßnahmen einschließlich der folgenden Anweisungen getroffen werden, um das Risiko von Bränden, Elektroschocks und Personenschäden zu vermindern. Lesen Sie alle Anweisungen aufmerksam durch und bewahren Sie diese für zukünftiges Nachschlagen mit dem Gerät auf.

WARNUNG! Dieses Gerät darf nicht von Personen (wie z.B. Kindern) mit eingeschränkter körperlicher oder geistiger Fähigkeiten oder von Personen ohne Erfahrung im Umgang mit einem solchen Gerät betrieben werden, außer wenn sie von einer für ihre persönliche Sicherheit verantwortlichen Person in der Benutzung unterwiesen worden sind und dabei beaufsichtigt werden. Kinder müssen beaufsichtigt werden, um sicherzustellen, dass sie das Gerät nicht als Spielzeug verwenden.

ACHTUNG! Verwenden Sie Elektrowerkzeuge stets in Übereinstimmung mit diesen Anweisungen und beachten Sie dabei die Arbeitsplatzbedingungen und die auszuführenden Tätigkeiten. Eine Benutzung von Elektrowerkzeugen für Tätigkeiten, für die sie nicht konzipiert wurden, kann zu gefährlichen Situationen führen.

Der Begriff „Elektrowerkzeug“ in den folgenden Warnhinweisen bezieht sich sowohl auf netzgebundene Geräte sowie Akkugeräte (schnurlose Geräte).

1 – **Halten Sie den Arbeitsbereich sauber und aufgeräumt.** – Unordnung auf Werkbänken und Böden begünstigt Verletzungen.

2 – **Beachten Sie die Arbeitsplatzbedingungen.**

- Verwenden Sie Werkzeuge niemals im Regen.
- Verwenden Sie Werkzeuge niemals in feuchten oder nassen Bereichen.
- Sorgen Sie für angemessene Beleuchtung von Arbeitsbereichen.
- Verwenden Sie Werkzeuge niemals in der Nähe von brennbaren Flüssigkeiten.

3 – **Schützen Sie sich vor elektrischen Schlägen.** – Vermeiden Sie Kontakt mit geerdeten Objekten und Oberflächen wie z.B. Rohrleitungen, Heizkörpern, Haushaltsgeräten usw.

4 – **Halten Sie andere Personen vom Arbeitsplatz fern.** – Achten Sie darauf, dass Personen, die nicht direkt am Arbeitsvorgang beteiligt sind, insbesondere Kinder, von Werkzeugen und Werkstücken fernbleiben. Werkzeuge und deren Anschlussleitungen nicht berühren und sich nicht im Arbeitsbereich aufhalten.

5 – **Entfernen Sie nicht benötigte Werkzeuge aus dem Arbeitsbereich.** – Nicht verwendete Werkzeuge sollten an einem sicheren, trockenen Ort außerhalb der Reichweite von Kindern gelagert und eingeschlossen werden.

6 – **Wenden Sie bei der Benutzung von Werkzeugen keine Gewalt an.** – Werkzeuge erzeugen die besten und effektivsten Ergebnisse, wenn sie mit der Geschwindigkeit und dem Vorschub verwendet werden, für welche sie konzipiert wurden.

7 – **Verwenden Sie für die auszuführende Aufgabe geeignete Werkzeuge.** – Kleine, leichte Werkzeuge verfügen nicht über die gleiche Leistung wie schwere Profi-Werkzeuge.

Verwenden Sie Werkzeuge niemals zweckentfremdet; z.B. dürfen Kreissägen nicht zum Sägen von Baumstämmen oder Ästen verwendet werden.

8 – **Tragen Sie geeignete Arbeitskleidung.**

- Tragen Sie weder lose Kleidung noch Schmuck, da sich diese in den beweglichen Komponenten von Maschinen verfangen könnten.
- Tragen Sie stets geeignete Sicherheitsschuhe.
- Decken Sie lange Haare ab.

9 – **Verwenden Sie geeignete persönliche Schutzausrüstung.**

- Tragen Sie stets eine geeignete Schutzbrille.
- Tragen Sie bei staubigen Arbeiten stets eine Atemschutzmaske.

WARNUNG! Falls keine persönliche Schutzausrüstung getragen wird, können schwerwiegende Verletzungen und Erkrankungen auftreten.

10 – **Verwenden Sie Staubabsaugungsausrüstung.** – Verwenden Sie Geräte mit Staubabsauganschluss stets mit einer geeigneten Absaugvorrichtung.

11 – **Verwenden Sie die Anschlussleitung nicht missbräuchlich.** – Ziehen Sie niemals am Kabel, um dieses aus der Steckdose zu entfernen. Halten Sie Anschlussleitungen fern von Hitze, Schmiermitteln und scharfen Kanten. Beschädigte und abgenutzte Leitungen erhöhen das Risiko von elektrischen Schlägen.

12 – **Fixieren Sie Ihre Werkstücke.** – Verwenden Sie stets Schraubzwingen, Schraubstöcke und andere Klemmvorrichtungen, um Werkstücke sicher zu fixieren. Dies ist sicherer als das Halten von Hand.

13 – **Nicht zu weit hinauslehnen.** – Bleiben Sie standfest und halten Sie stets Ihr Gleichgewicht.

14 – **Führen Sie Instandhaltungsarbeiten sorgfältig durch.**

- Halten Sie Schneidwerkzeuge scharf. Werkzeuge mit scharfen Schneiden sind besser zu kontrollieren und verkanten sich weniger leicht.
- Befolgen Sie die Anweisung zur Schmierung und zum Austausch von Zubehörteilen.
- Überprüfen Sie Anschlussleitungen in regelmäßigen Abständen und lassen Sie diese bei Beschädigung oder Abnutzung von einem autorisierten Servicetechniker austauschen.
- Halten Sie Griffe trocken, sauber und frei von Schmierstoffen.

WARNUNG! Viele Unfälle mit Elektrowerkzeugen sind auf unzureichende Instandhaltung zurückzuführen.

15 – **Trennen Sie Geräte nach dem Gebrauch vom Stromnetz.** – Trennen Sie Elektrowerkzeuge stets von der Spannungsversorgung, bevor Sie Wartungsarbeiten durchführen und Zubehör abnehmen oder anbringen.

WARNUNG! Die Verwendung von Zubehör, das nicht vom Hersteller des Elektrowerkzeugs empfohlen wird, kann zu schwerwiegenden Sach- und Personenschäden führen.

16 – **Entfernen Sie stets alle Werkzeuge vom Gerät.** – Machen Sie es sich zur Gewohnheit, vor dem Einschalten von Elektrowerkzeugen zu überprüfen, dass alle beim Zubehöwechsel oder zur Justierung verwendeten Werkzeuge (z.B. Innensechskant-, Maul- u. Stiftschlüssel) entfernt wurden.

17 – **Vermeiden Sie unbeabsichtigtes Einschalten.** – Vergewissern Sie sich, dass sich der Betriebsschalter von Elektrowerkzeugen im ausgeschalteten Zustand befindet, bevor Sie das Werkzeug mit dem Stromnetz verbinden bzw. Akkus einsetzen.

WARNUNG! Ein unbeabsichtigtes Einschalten von Elektrowerkzeugen kann zu schwerwiegenden Sach- und Personenschäden führen.

18 – **Verwenden Sie geeignete Verlängerungsleitungen.** – Falls das Elektrowerkzeug in Außenbereichen verwendet wird, muss eine speziell für Außenbereiche geeignete Verlängerungsleitung verwendet werden. Dies vermindert das Risiko von elektrischen Schlägen.

19 – **Seien Sie aufmerksam.**

- Achten Sie darauf, was Sie tun, wenden Sie gutes Urteilsvermögen an und verwenden Sie Werkzeuge niemals, wenn Sie müde sind.
- Verwenden Sie Elektrowerkzeuge niemals, wenn Sie unter dem Einfluss von Drogen, Alkohol oder Medikamenten stehen.

WARNUNG! Ein Moment der Unachtsamkeit kann zu schweren Verletzungen führen.

20 – **Überprüfen Sie den Zustand von Werkzeugen vor der Benutzung.**

- Das Werkzeug muss vor jeder Verwendung auf Beschädigungen überprüft werden. Vergewissern Sie sich, dass sich das Gerät in einem Zustand befindet, in dem es seine normale Funktion sicher erfüllen kann.
- Begutachten Sie bewegliche Teile auf feste Verbindung, korrekte Ausrichtung, Schäden, korrekte Montage und andere Fehlerzustände, die ihre Funktion beeinträchtigen könnten.
- Beschädigte Schutzvorrichtungen und andere fehlerhafte Komponenten müssen von einem autorisierten Servicetechniker repariert oder ausgetauscht werden, außer wenn in dieser Bedienungsanleitung abweichend beschrieben.
- Defekte Schalter müssen von einem autorisierten Servicetechniker ausgetauscht werden.

WARNUNG! Verwenden Sie das Gerät nicht, falls es sich nicht über den Ein-/Ausschalter einschalten und auch ausschalten lässt. Der Schalter muss zur sicheren Verwendung ausgetauscht werden.

21 – **Lassen Sie das Werkzeug ausschließlich von qualifizierten Technikern warten und reparieren.** – Dieses Elektrowerkzeug entspricht den relevanten Sicherheitsvorschriften. Reparaturen dürfen ausschließlich von autorisierten Servicetechnikern durchgeführt werden, da unsachgemäße Reparaturen eine ernstzunehmende Gefahr darstellen können.

WARNUNG! Verwenden Sie zur Instandhaltung ausschließlich identische Originalersatzteile.

WARNUNG! Eine beschädigte Anschlussleitung muss durch den Hersteller oder eine autorisierte Fachwerkstatt ausgetauscht werden.

22 – **Der Netzstecker des Gerätes darf ausschließlich an einer geeigneten Steckdose verwendet werden.** – Der Netzstecker des Gerätes darf niemals modifiziert werden. Verwenden Sie keine Adapter mit geerdeten Elektrowerkzeugen. Dies trägt zum Schutz vor elektrischen Schlägen bei.

23 – **Bei der Verwendung in Außenbereichen muss das Gerät an einem Stromkreis betrieben werden, der von einem Fehlerstromschutzschalter abgesichert ist.** Die Verwendung von FI-Schaltern vermindert die Gefahr elektrischer Schläge.

HINWEIS: Fehlerstromschutzschalter werden auch als FI-Schalter, FI-Schaltzschalter oder RCDs bezeichnet.

WARNUNG! In *Australien* und *Neuseeland* darf dieses Gerät *nur unter Verwendung einer Fehlerstromschutzeinrichtung (FI-Schalter) mit einem Bemessungsfehlerstrom von höchstens 30 mA an die Spannungsversorgung angeschlossen werden.*

WARNHINWEISE: Stellen Sie vor Anschluss eines Werkzeugs an eine Stromquelle (Steckdose, Stromanschluss u.ä.) sicher, dass die Netzspannung der auf dem Typenschild des Werkzeugs angegebenen Spannung entspricht. Eine Stromquelle mit einer höheren Spannung als der für das Werkzeug spezifizierten Spannung kann zu schweren Verletzungen des Bedieners sowie Beschädigung des Werkzeugs führen. Schließen Sie das Werkzeug im Zweifelsfall nicht an. Eine niedrigere Spannung als auf dem Typenschild angegeben schadet dem Motor.

Verpolungssichere Stecker (nur für Nordamerika): Um das Risiko elektrischer Schläge zu verringern, ist dieses Gerät mit einem verpolungssicheren Netzstecker ausgestattet (ein Steckerkontakt ist breiter als der andere). Dieser Stecker kann nur in einer Position in eine geeignete Steckdose eingesteckt werden. Falls der Stecker nicht vollständig in die Steckdose eingesteckt werden kann, ziehen Sie ihn heraus und stecken Sie ihn umgekehrt wieder ein. Sollte der Stecker noch immer nicht passen, lassen Sie eine geeignete Steckdose durch einen qualifizierten Elektriker installieren. Verändern Sie die Steckdose niemals eigenmächtig.

Zusätzliche Sicherheitshinweise für Frästmische

⚠️ WARNUNG! Tragen Sie stets persönliche Sicherheitsausrüstung:

- Gehörschutz zur Senkung des Risikos von lärmbedingtem Gehörverlust;
- Atemschutz zur Senkung des Risikos, schädliche Staubteilchen einzatmen;
- nicht austransende Schnittschutzhandschuhe zur Vermeidung möglicher Verletzungen durch scharfe Kanten bei der Handhabung von Fräsern und rauem Material. Handschuhe, von denen sich Gewebematerial lösen kann, das möglicherweise Fäden bildet, dürfen bei der Bedienung des Frästmisches nicht verwendet werden.
- Schutzbrille zur Vermeidung von Augenverletzungen durch umherfliegende Partikel.

Sorgen Sie dafür, dass alle Personen in der Nähe des Arbeitsplatzes angemessene Schutzmaßnahmen treffen. Umstehende müssen einen Sicherheitsabstand wahren.

⚠️ WARNUNG! Verbinden Sie den Staubabsauganschluss an der Frässhutzhäube stets mit einer geeigneten Staubabsauganlage. Bestimmte Holzarten sind giftig oder können zu allergischen Reaktionen bei Menschen und Tieren führen, insbesondere wenn diese Feinstaub ausgesetzt sind. Zusätzlich zum Einsatz der Staubabsaugeinrichtung muss stets ein geeigneter Atemschutz getragen werden.

- Montieren Sie ausschließlich Tauchfräsen, die in den „Technischen Daten“ als kompatibel mit dem Frästmisch aufgeführt sind.** Montieren Sie ausschließlich Fräser, die für die eingebaute Tauchfräse geeignet sind, und über Schäfte verfügen, die mit der montierten Spannange kompatibel sind.
- Greifen Sie niemals mit der Hand unter den Frästmisch, wenn die Fräse an die Stromversorgung angeschlossen ist.**
- Entfernen Sie stets die Eintauchfeder der Fräse und die Kunststoff-Grundplatte, bevor Sie das Werkzeug an den Frästmisch montieren.** Dies ermöglicht einen einfachen Fräserwechsel und eine leichte Höheneinstellung mittels Kurbel von oben.
- Halten Sie Ihre Hände vom Schnittbereich fern.** Halten Sie Ihre Hände niemals unmittelbar über oder vor den sich drehenden Fräser. Wenn eine Hand dem Fräser nahegekommen ist, ziehen Sie sie in einer Bogenbewegung über dem Oberteil des Fräsers weg vom Fräser zur Abnahmeseite auf der anderen Seite des Fräsers. Legen Sie Ihre Finger niemals hinter das Werkstück und unterlassen Sie gefährliche Handhaltungen. Verwenden Sie gegebenenfalls Schiebестöcke und -blöcke.
- Versuchen Sie nicht, Werkstücke zu bearbeiten, die kürzer als 300 mm sind, ohne dabei spezielle Einspannvorrichtungen oder Werkstückaufnahmen zu verwenden.** Fräsen Sie nach Möglichkeit größere Werkstücke und schneiden Sie sie anschließend auf die gewünschte Länge.
- Bewerten Sie Risiken, Vorteile und Alternativen, bevor Sie Schiebestöcke, Schiebblöcke oder andere Werkzeugaufnahmen und Sicherheitsvorrichtungen einsetzen.** Bei vielen Anwendungen ist die Verwendung derartiger Vorrichtungen zweckdienlich und sicher, bei anderen Anwendungen kann sie jedoch gefährlich sein. Schiebestöcke können aus der Hand des Bedieners springen, wenn sie mit dem rotierenden Fräser in Kontakt kommen, und möglicherweise schwere Verletzungen verursachen.
- Stützen Sie große Werkstücke stets auf der Zuführ- und der Abnahmeseite des Frästmisches und gegebenenfalls auch auf den Seiten ab.** Verwenden Sie nach Möglichkeit den Triton-Ausziehtisch mit Schiebeschlitten oder den Triton-Mehrzweck-Ständer.
- Verwenden Sie stets Schutzhäuben, Anschläge, horizontale und vertikale Druckkämme usw., um das Werkstück zu führen und Rückschlag entgegenzuwirken bzw. ihn zu vermeiden. Dies gilt insbesondere beim Fräsen kleiner oder schmaler Werkstücke.** Am Anschlag angebrachte Druckkämme tragen außerdem dazu bei, ein unkontrolliertes Anheben des Werkstücks zu verhindern.
- Entfernen Sie vor Inbetriebnahme stets alle losen Gegenstände vom Tisch.** Vibrationen können dazu führen, dass lose Gegenstände sich verlagern und mit dem Fräser in Kontakt kommen.
- Entfernen Sie niemals Holzstücke oder Staub mit den Händen, während sich der Fräser dreht.** Schalten Sie die Fräse stets aus, trennen Sie sie von der Stromversorgung und warten Sie, bis der Fräser zum Stillstand gekommen ist. Tragen Sie bei der Handhabung des Fräsers stets Schnittschutzhandschuhe, um Verletzungen vorzubeugen.
- Prüfen Sie das Werkstück stets auf Nägel, Klammern und andere Metallgegenstände und Fremdkörper.** Durch die Berührung mit einem verborgenen Nagel kann der Fräser zerstört werden, es können Flugkörper mit hohen Geschwindigkeiten gebildet werden und es kann zu Rückschlag kommen. All dies kann zu schweren Verletzungen führen.
- Nutzen Sie nach Möglichkeit Blindfräsverfahren, bei denen der Fräser nicht unter dem Werkstück herausragt.** Den Fräser unterseits des Werkstücks zu halten, bietet zusätzlichen Schutz für den Bediener.
- Lassen Sie den Fräser nur so wenig wie möglich über die Tischoberfläche herausstehen.** Alle ungenutzten Teile des Fräsers sollten unterhalb der Tischplatte verbleiben.
- Testen Sie stets jede neue Einstellung, indem Sie die Spindel von Hand drehen. Dabei muss die Maschine von der Stromversorgung getrennt sein.** Sorgen Sie für einen angemessenen Abstand des Fräsers von der Stchplatte, dem Anschlag und der Schutzhäube, bevor Sie die Maschine einschalten.
- Verwenden Sie stets geeignete Stichplatten, die einen optimalen Abstand um den Fräser herum ermöglichen.**
- Verwenden Sie stets die Fräseschutzhäube und justieren Sie die Schutzhäube so, dass sie möglichst viel vom Fräser abdeckt und möglichst nahe am Werkstück positioniert ist. Das bewahrt den Anwender nicht nur davor, den rotierenden Fräser zu berühren, sondern ermöglicht auch eine wirksame Staubabsaugung.**
- Begrenzen Sie die Frästiefe. Tragen Sie niemals zu viel Material in einem Arbeitsgang ab.** Mehrere Arbeitsgänge mit einer geringeren Frästiefe sind sicherer und liefern eine bessere Oberflächengüte.
- Stellen Sie sicher, dass die Fräserdrehzahl entsprechend dem Fräserdurchmesser und dem zu fräsenden Material eingestellt wird.** Verwenden Sie den Drehzahl-Wahlschalter an der Tauchfräse.
- Führen Sie das Werkstück stets gegen die Drehrichtung des Fräsers zu.** Vorschubrichtung und Drehrichtung werden durch Pfeile auf der Frästischplatte angezeigt.

t) **Verwenden Sie stets den Anschlag, wenn Sie einen Fräser ohne Auflager oder Anschlagstift einsetzen.** Stützen Sie das Werkstück stets fest gegen den Anschlag ab. Entfernen Sie niemals die abnehmbaren Abdeckungen am Anschlag. Verwenden Sie für Freihandarbeiten stets einen Fräser mit Auflager oder Anschlagstift.

Weitere Sicherheitshinweise

- Verwenden Sie ausschließlich Fräser in einwandfreiem Betriebszustand, die mit den technischen Daten des Frästmisches kompatibel und für den Betrieb mit Handvorschub geeignet sind (gemäß EN 847-1 mit „MAN“ für manueller Betrieb gekennzeichnet).
- Der Fräser darf nicht in Vorschubrichtung in das Werkstück eintreten. Wenn dieser Fall eintritt, führt dies wahrscheinlich zu einem Gleitlaufräsen, wodurch das Werkstück hoch- und vom Bediener weggezogen wird. Dies kann zum Verlust der Kontrolle führen und im laufenden Betrieb eine potenzielle Gefahr darstellen.
- Versuchen Sie nicht, Fräser nachzuschleifen, es sei denn, Sie befolgen ausdrücklich die Anweisungen des Herstellers und verfügen über die entsprechende Ausstattung, um diese Aufgabe zu bewerkstelligen. Ein Großteil der Fräser besitzt Blätter, die nicht nachgeschliffen werden können und müssen daher sofort ersetzt werden, wenn sie stumpf sind.
- Schaffen Sie durch eine unsachgemäße Anschlagposition keine Fangstellen für den Anschlag. Diese treten auf, wenn der Anschlag so weit hinten positioniert wird, dass sich die Vorderseite des Werkstücks hinter dem Fräser befindet. Diese Fangstellen sind aufgrund des Risikos für ein Gleitlaufräsen und der Schwierigkeit, das Werkstück gegen den Anschlag gedrückt zu halten, gefährlich.
- Stellen Sie sicher, dass der richtige Tischeinsatz (Tischring) montiert ist, d.h. in der für die Größe des montierten Fräsers richtigen Größe.
- Verwenden Sie einen Frästmisch erst dann, wenn er vollständig montiert ist, und nehmen Sie nach einer erneuten Montage nach Lagerung immer eine erneute Überprüfung der Befestigungselemente vor.
- Stellen Sie sicher, dass die Fräse nicht an die Stromversorgung angeschlossen ist, wenn sie in den Tisch eingebaut wird oder wenn Einstellungen vorgenommen oder Zubehör gewechselt wird.
- Schließen Sie die Oberfräse nicht an eine Standard-Wandsteckdose an. Sie muss an den Schaltkasten des Frästmisches angeschlossen werden, damit sie im Notfall ausgeschaltet werden kann.
- Der Frästmisch muss auf einer festen, ebenen Oberfläche aufgebaut und so befestigt werden, dass er nicht kippt. Bei langen oder breiten Werkstücken ist der Einsatz von Hilfsstützen an den Zuführ- und Abnahmeseiten notwendig. Lange Werkstücke ohne ausreichende Abstützung können dazu führen, dass der Tisch gegen den Bediener kippt und Verletzungen verursacht.
- Fräsen erzeugen starke Vibrationen und können sich aus ihren Befestigungen lösen. Überprüfen Sie die Befestigungen häufig und ziehen Sie sie gegebenenfalls fest.
- Lassen Sie die Maschine niemals anlaufen, wenn der Fräser bereits in das Werkstück greift. Dies kann zu einem Verlust der Kontrolle und zu Verletzungen führen.
- Der Frästmisch ist ausschließlich für das Fräsen flacher, gerader und vierkantiger Materialien konzipiert. Fräsen Sie kein Werkstück, das verzogen oder uneben oder aus weichem oder unbeständigem Material hergestellt ist. Stellen Sie gegebenenfalls sicher, dass das Material vor der Verwendung richtig vorbereitet wird. Ungeeignetes Material kann zu einem Verlust der Kontrolle und zu Verletzungen führen.

⚠️ WARNUNG! Nicht gewartete Werkzeuge können zu unkontrollierten Situationen führen. Verwenden Sie ausschließlich Fräser, die entsprechend den Anweisungen des Herstellers richtig geschliffen, gewartet und eingestellt wurden.

Hinweis: Lassen Sie sich entsprechend schulen und ziehen Sie fachmännischen Rat zu Hilfe, bevor Sie sich an Arbeiten versuchen, die Ihnen nicht vertraute Verfahren erfordern. Unterlassen Sie umgehend die Verwendung des Frästmisches, wenn zu irgendeinem Zeitpunkt im laufenden Betrieb Probleme auftreten oder Sie nicht sicher sind, wie Sie auf sichere Weise fortfahren.

Geräteübersicht

- T-Nut für horizontalen Druckkamm
- Distanzstück für die Anschlagfläche
- Modulnivellierschraube
- Anschlags-Feinjustierung
- Vertikaler Druckkamm
- Schutzhäubenknopf
- Absauganschluss
- Anschlag
- Anschlagsknopf
- Tischskala
- Modulnivellierschraube
- Daumenloch
- Einstellknopf des Druckkamms
- Anschlagfläche
- Auflagerollen und -schienen des Moduls
- Schlitzte der Fräser-Höheneinstellung
- Schutzhäube
- Richtungsanzeige
- Horizontaler Druckkamm
- T-Nut-Knopf für Druckkamm
- Einstellknopf des Druckkamms
- Modulnivellierspulenschraube
- Einstellknopf der Anschlagfläche
- Feinjustierung
- Anschlagsschlitz
- Anschlags-Feinjustierknopf
- Tischskalenanzeige

Bestimmungsgemäße Verwendung

Vielseitiger Frästmisch zum Kantenfazeln, Nutenfräsen, Planfräsen, zur Kantенbearbeitung (Anschlag und Freihand), zur Hirnholzbearbeitung mit Schablonenführung und zum Erstellen von Zapfenlöchern. Zur Verwendung mit dem Triton-Workcenter TWX7 und Triton-Fräsen.

Auspacken des Gerätes

- Packen Sie Ihr Werkzeug vorsichtig aus und überprüfen Sie es. Machen Sie sich vollständig mit all seinen Eigenschaften und Funktionen vertraut.
- Vergewissern Sie sich, dass sämtliche Teile des Werkzeugs vorhanden und in einwandfreiem Zustand sind. Sollten Teile fehlen oder beschädigt sein, lassen Sie diese ersetzen, bevor Sie das Gerät verwenden.

WICHTIGER HINWEIS: Lesen Sie diese Anweisungen in Verbindung mit der im Lieferumfang Ihrer Triton-Fräse und Ihres Triton-Workcenters enthaltenen Anleitung.

Eine Videoanleitung finden Sie auf www.tritontools.com.

Vor Inbetriebnahme

⚠️ WARNUNG! Vergewissern Sie sich, dass die Fräse ausgeschaltet und von der Stromversorgung getrennt ist, bevor Sie Zubehör einsetzen oder wechseln, Module einsetzen oder entfernen oder andere Änderungen vornehmen.

Einbau und Ausbau des Frästischmoduls

Eine vollständige Anleitung finden Sie in der Original-Gebrauchsanweisung des Workcenters TWX7 unter „Einbau und Ausbau von Modulen“.

WARNUNG! Senken Sie den Fräser auf eine sichere Höhe ab, bevor Sie das Frästischmodul ein- oder ausbauen.

WARNUNG! Einige Module sind schwer, insbesondere bei montierten Elektrowerkzeugen. Fassen Sie Module stets mit beiden Händen an, sorgen Sie für einen festen Stand, stellen Sie sich aufrecht hin und vermeiden Sie ungeschickte Bewegungen, wenn Sie Module entfernen oder montieren.

⚠️ WARNUNG! Finger und/oder andere Körperteile nicht zwischen das Modul und das Workcenter-Gestell bringen (siehe Abb. L)

Ausbau: Bringen Sie die Modulverriegelungen in die entriegelte Position (siehe Abb. M). Kippen Sie das Modul mithilfe der beiden Daumenlöcher (12) um 45° und ziehen und heben Sie es anschließend heraus.

Einbau: Peilen Sie die Auflagerollen des Moduls in den Auflageschienen (15) des Moduls als Gelenkpunkt an und senken Sie den Einsatz ab. Senken Sie ihn mithilfe der Daumenlöcher in eine waagerechte Lage ab und arretieren Sie dann die Modulverriegelungen wieder.

Hinweis: Module können aufrecht gestellt werden, indem Sie um etwa 120° abgewinkelt werden. Diese Position kann genutzt werden, wenn Einstellungen an der Unterseite von Modulen notwendig sind (z.B. Einstellungen an den montierten Elektrowerkzeugen), und es

ist nicht erforderlich, das Modul auszubauen.

Montage des Frästischmoduls

- Montieren Sie das Frästischmodul mithilfe der Abbildungen A bis K. Für Schritt B sind die nachstehenden zusätzlichen Informationen erforderlich.

Hinweis: P1-6 in Abb. A ist der Startstift für den Freihandbetrieb, er muss nur für den Freihandbetrieb montiert werden.

Montage einer Triton-Fräse an die Montageplatte

- Die Montageplatte befindet sich auf der Unterseite des Tisches und wurde für die unmittelbare Befestigung einer der drei Triton-Fräsen (JOP001, MOFO01 und TRAO01) konzipiert.

WARNUNG! Entfernen Sie die Eintauchfeder, um die Fräse für den Tischbetrieb zu konfigurieren. Das entsprechende Verfahren finden Sie in der Betriebsanleitung der Fräse. Bewahren Sie die Feder sorgfältig auf, da sie wieder eingesetzt werden muss, wenn die Fräse vom Frästischmodul entfernt wird.

- Nehmen Sie die Kunststoffabdeckung der Fräsengleitplatte ab, indem Sie die Befestigungsschrauben entfernen. Die Schrauben und die Kunststoff-Gleitplatte müssen sicher aufbewahrt werden, falls sie später wieder eingesetzt werden müssen.
- Vergewissern Sie sich, dass die Gleitplatte der Fräse vollkommen sauber ist, damit sie sich nach Montage auf gleicher Höhe mit der Montageplatte befindet.
- Lösen Sie die zwei Montageknöpfe an der Fräse, bis sie sich etwa 10 mm über der Gleitplatte der Fräse befinden, wenn sie nach unten geschoben werden.
- Schieben Sie die Montageknöpfe nach unten, bis die Schraubenköpfe sich in den Schlüssellöchern befinden, und drehen Sie die Fräse entgegen dem Uhrzeigersinn, bis die Knöpfe an den kleinen Dreiecklöchern ausgerichtet sind (siehe Abb. B).
- Ziehen Sie die Montageknöpfe fest.
- Schließen Sie den Netzkabelstecker des Elektrowerkzeugs an die Netzsteckdose des Workcenters an, d.h. nicht direkt an eine Wandsteckdose oder eine andere Netzsteckdose.

Hinweis: Anfänglich besaßen die Modelle der Triton-Fräse TRAO01 noch keinen Tischkurbelanschluss.

Nivellierung der Stichplatte

- Nivellieren Sie die Stichplatte im Frästisch mithilfe eines Anschlagswinkels und des mitgelieferten Sechskantschlüssels (siehe Abb. N).
- Montieren Sie die drei Stichplattenschrauben (P8), um die Stichplatte zu fixieren.
- Vergewissern Sie sich, dass die Stichplatte plan mit der Tischfläche verläuft.

WICHTIGER HINWEIS: Stellen Sie stets sicher, dass für den montierten Fräser die richtige Stichplatte verwendet wird.

Nivellierung des Fräsenmoduls

- Um genaue Ergebnisse zu erzielen und einen sicheren Betrieb zu gewährleisten, müssen alle Module so eingestellt werden, dass sie plan mit dem Workcenter-Gestell liegen. Daher sind alle Module mit sieben Modulnivellierschrauben (T1) ausgestattet.

- Passen Sie das Modul in das Workcenter-Gestell ein und arretieren Sie beide Modulverriegelungen.
- Ziehen Sie die drei Modulnivellierspulsenschrauben fest, bis es kein Spiel zwischen dem Modul und dem Workcenter-Gestell mehr gibt.
- Legen Sie einen Messstab über die Ecke, quer über die Nivellierschrauben, und prüfen Sie auf Lücken.
- Stellen Sie mit dem mitgelieferten Sechskantschlüssel die Modulnivellierschrauben ein, bis beide Seiten der Ecke bündig mit dem Workcenter-Gestell sind.
- Wiederholen Sie diese Schritte für die übrigen drei Ecken und die einzelne Modulnivellierschraube in der Mitte der langen Moduleite.
- Vergewissern Sie sich, dass alle Seiten des Moduls bündig mit dem Workcenter-Gestell sind, indem Sie einen Messstab über das Modul legen, und zwar senkrecht zur langen und kurzen Seite sowie diagonal über den Tisch. Nehmen Sie eine Feinjustierung vor und prüfen Sie gegebenenfalls erneut.

Staubabsaugung

WARNUNG! Verwenden Sie stets einen entsprechend geeigneten Staubsauger oder eine Werkstattstaubungsanlage.

WARNUNG! Staub aus der Bearbeitung von Naturholz, Oberflächenbeschichtungen und Verbundmaterialien kann schädliche Substanzen enthalten. Entsorgen Sie giftigen Staub stets vorschriftsmäßig.

- Während die Staubabsaugung mit jedem beliebigen Staubsauger erreicht werden kann, sind Geräte für den Hausgebrauch (vom Beuteltyp) schnell voll. Ziehen Sie die Verwendung eines Triton-Staubsammelbehälters (DCA300) für Ihren Staubsauger in Betracht, um von einem deutlich höheren Füllvermögen zu profitieren.
- Die kombinierte elektrische Last der Fräse und des Staubsaugers kann die Nenn-Amperezahl der Verlängerungsleitung oder der Steckdose für den Hausgebrauch überschreiten. Schließen Sie den Staubsauger und die Oberfräse stets an verschiedene Steckdosen an und schalten Sie die Geräte einzeln ein.

Bedienung

! **WARNUNG!** Tragen Sie bei der Arbeit mit diesem Werkzeug stets Schutzbrille, angemessenen Atem- und Gehörschutz sowie entsprechend geeignete Schutzhandschuhe.

WICHTIGER HINWEIS: Der Frästisch ist mit der Vorschubrichtung gekennzeichnet. Dies zeigt beim Fräsen die richtige und sicherste Richtung für das Werkstück an.

WARNUNG! Bringen Sie das Workcenter nicht durch Verwendung sehr großer Werkstücke aus dem Gleichgewicht.

Hinweis: Umfassende Informationen und Schaubilder, die sich auf Teile des Workcenters beziehen, finden Sie in der Original-Gebrauchsanweisung für den Workcenter TWX7.

Workcenter-Schaltkasten bedienen

WICHTIGER HINWEIS: Der Schaltkasten benötigt zum Wechsel auf EIN einen stromführenden Netzanschluss. Er wird auf AUS zurückgesetzt, wenn die Stromversorgung getrennt wird, und erfordert ein erneutes Einschalten, wenn die Stromversorgung wiederhergestellt ist, um den Betrieb fortzusetzen.

Ein- und Ausschalten

Hinweis: Zusätzliche Informationen finden Sie in der Betriebsanleitung Ihrer Fräse.

- Der EIN-/AUS-Schalter des Workcenters befindet sich auf der Vorderseite.
- Schließen Sie das Netzkabel des Workcenters an eine Wandsteckdose an und schalten Sie ihn ein.
- Bringen Sie den EIN-/AUS-Schalter in die O-Stellung, indem Sie auf die Not-Aus-Klappe drücken.
- Schalten Sie das Elektrowerkzeug ein, indem Sie den EIN-/AUS-Schalter in die I-Stellung drücken.
- Bringen Sie den EIN-/AUS-Schalter in die I-Stellung, um das zu verwendende Werkzeug mit Strom zu versorgen.
- Drücken Sie auf die Not-Aus-Klappe, um ihn auszuschalten.

Bedienposition und Vorschubrichtung

- Die vorrangige Bedienposition hängt davon ab, wo sich der Sicherheitsschalter befindet.
- Bleiben Sie stets in der Nähe des Sicherheitsschalters, damit Sie die Maschine im Notfall sofort abschalten können.
- Führen Sie Ihre Werkstücke der Maschine von dieser Position aus in der durch die Pfeile an der jeweiligen Modultischplatte angegebenen Richtung zu.

Einbau und Ausbau von Fräsern

WARNUNG! Verwenden Sie keine Fräser, deren Durchmesser 50 mm überschreitet, zusammen mit dem Frästischmodul.

- Schalten Sie die Fräse am Netzschalter aus, der sich am Werkzeug selbst befindet.
- Passen Sie die Tisch-Einstellkurbel durch den Frästisch ein und kurbeln Sie, um Fräser und Spannzange anzuheben.
- Verwenden Sie den Spannzangen-Gabelschlüssel, um den vorhandenen Fräser zu entfernen und zu ersetzen.
- Drehen Sie so lange an der Tisch-Einstellkurbel, bis sich der Fräser in der richtigen Höhenstellung befindet.
- Vergewissern Sie sich, dass der Netzschalter des Workcenters auf „Aus“ steht und bringen Sie den EIN-/AUS-Schalter der Fräse wieder in die „Ein“-Stellung.

WICHTIGER HINWEIS: Verwenden Sie die Tisch-Einstellkurbel nicht, solange die Fräse mit Strom versorgt wird.

WICHTIGER HINWEIS: Nähere Angaben zu kompatiblen Fräsertypen und -größen finden sich in der Betriebsanleitung der Fräse.

Verwendung der Schutzhaube

- Stellen Sie sicher, dass die Schutzhaube (17) nach Möglichkeit stets verwendet wird, und stellen Sie sie auf die richtige Höhe ein, um maximalen Schutz für die Hände des Bedieners zu bieten.

Verwendung der Anschlags-Feinjustierungen

- Schrauben Sie die Flügelschrauben an den Anschlags-Feinjustierungen (4) heraus, um eine ausreichende Einstellung zu ermöglichen.
- Ziehen Sie die Feinjustierungen gegen die Anschlagrückseite in Position fest und schrauben Sie die Flügelschrauben ein, um das erforderlichen Falzmaß zu erhalten. Eine komplette Umdrehung beträgt 1 mm.

- Entriegeln Sie den Anschlag, schieben Sie ihn gegen die Feinjustierungen zurück und arretieren Sie ihn wieder.

Verwendung des Anschlags

- Die Anschlagflächen (14) müssen immer möglichst nahe am Fräser positioniert werden. Positionieren Sie sie, indem Sie sie vor- und zurückschieben. Vergewissern Sie sich, dass sie ausreichend fest gespannt sind, um unerwünschtes Spiel zu verhindern.

Verwendung der Druckkämme

WICHTIGER HINWEIS: Horizontale und vertikale Druckkämme dürfen sich bei Gebrauch nicht überdecken. Ein Mindestabstand von 10 mm ist erforderlich (siehe Abb. Q).

Der vertikale Druckkamm (5) und der horizontale Druckkamm (19) werden verwendet, um beim Fräsen leichten Druck auf das Werkstück auszuüben und so sichereren Halt zu bieten.

- Die Druckkämme verfügen über einen kurzen Kunststoffstift (siehe Abb. O). Dieser zeigt die Werkstücklinie an. Justieren Sie den vertikalen und den horizontalen Druckkamm, damit dieser kürzere Stift das Werkstück berührt und die längeren Stütze bei Gebrauch richtig gegen das Werkstück gespannt sind.
- Die Höhe des freiliegenden Fräsers darf die Höhe der montierten horizontalen Druckkämme nicht übersteigen. Horizontale Druckkämme können gestapelt werden, um einen weiter freigelegten Fräser und längere Werkstücke zu ermöglichen. Dies macht einen zusätzlichen Erwerb von TWX7FB erforderlich.

Gestapelt	1	2	3	4
Höhe	9,5 mm	15 mm	44 mm	50 mm

Verwendung des Anschlags-Distanzstücks

Das Planfräsen muss so erfolgen, dass der Fräser hinter den Anschlagflächen (14) weitestgehend verborgen ist (siehe Abb. R und S).

WARNUNG! Führen Sie das Werkstück beim Planfräsen niemals zwischen den Fräser und den rechten Anschlag. Der Fräser wird sich zur Seite biegen, sich am Werkstück hocharbeiten und es Ihnen aus den Händen reißen – oder Ihre Hand sogar in den Fräser ziehen.

Planfräsen am Fräsanschlag

- Das Planfräsen von 0,5 mm, 1,0 mm, 1,5 mm und 2,0 mm kann mithilfe der Distanzstücke der Anschlagflächen (2) erfolgen.

Verfahren 1:

- Stellen Sie sicher, dass die Anschlagflächen nahe am Fräser liegen.
- Schieben Sie die federgelagerte linke Anschlagfläche vom Anschlag weg und schieben Sie die beiden Distanzstücke der Anschlagflächen in die Lücken, die bei der erforderlichen Drehbewegung für die maximale Frästiefe, die auf dem Distanzstück vermerkt ist, geschaffen werden.
- Verwenden Sie einen Holzmesstab, um das Fräserblatt ausschließlich an der linken Anschlagfläche auszurichten. Beginnen Sie den Fräsvorgang.

Verfahren 2:

- Stellen Sie sicher, dass die Anschlagflächen nahe am Fräser liegen.
- Stellen Sie die Feinjustierungen (24) auf mittleren Federweg. Vergewissern Sie sich, dass die Markierungen ausgerichtet sind.
- Verwenden Sie einen Holzmesstab, um das Fräserblatt an den Anschlagflächen auszurichten. Schieben Sie die Feinjustierungen in Kontakt mit dem Anschlag. Arretieren Sie den Anschlag in dieser Position.
- Wählen Sie die benötigte Frästiefe. Drehen Sie beide Feinjustierungen mit der Kurbel im Uhrzeigersinn bis zu dieser Tiefe. Entriegeln Sie den Anschlag und schieben Sie ihn zurück in Kontakt mit den Feinjustierungen.
- Schieben Sie die federgelagerte linke Anschlagfläche vom Anschlag weg und schieben Sie die beiden Distanzstücke der Anschlagflächen in die Lücken, die bei der erforderlichen Drehbewegung für die maximale Frästiefe, die auf dem Distanzstück vermerkt ist, geschaffen werden. Beginnen Sie den Fräsvorgang.

Montieren des Startstifts

- Am Frästisch kann ein Startstift montiert werden, der das Freihandfräsen vereinfacht. Konfigurieren Sie den Frästisch für den Freihandbetrieb gemäß Abb. P.
- Stellen Sie sicher, dass die Schutzhaube auf die richtige Höhe eingestellt ist, damit sie maximalen Schutz für die Hände des Bedieners bietet (siehe Abb. T).
- Bei Gebrauch muss das Werkstück zuerst mit dem Startstift in Kontakt kommen und von dieser Position aus für den ersten Fräsvorgang zum Fräser abgewinkelt werden.

Zubehör

- Zusätzlich zu den unten aufgeführten Zubehö rteilen ist ein umfangreiches Zubehörsortiment über Ihren Triton-Fachhändler erhältlich. Ersatzteile können über toolsparenonline.com bezogen werden.

Triton-Artikelnummer	Bezeichnung
TWX7P	Winkelmesser
TWX7FB	Druckkämme-Satz

Instandhaltung

! **WARNUNG!** Trennen Sie das Gerät stets vom Stromnetz, bevor Sie Inspektions-, Wartungs- oder Reinigungsarbeiten vornehmen.

Allgemeine Überprüfung

- Überprüfen Sie alle Befestigungsschrauben in regelmäßigen Abständen auf festen Sitz und alle Geräteteile auf einwandfreien Zustand. Verwenden Sie den Frästisch erst, nachdem defekte, beschädigte oder verschlissene Teile ersetzt wurden.
- Kontrollieren Sie das Netzkabel des Gerätes vor jedem Gebrauch auf Schäden und Verschleiß. Reparaturen müssen durch eine zugelassene Triton-Reparaturwerkstatt erfolgen. Dies gilt auch für mit dem Gerät verwendete Verlängerungskabel.

Reinigung

- Halten Sie Ihr Gerät stets sauber. Durch Staub und Schmutz verschleiben die inneren Teile schnell und die Lebensdauer des Gerätes wird verkürzt. Säubern Sie das Gerätegehäuse mit einer weichen Bürste oder einem trockenen Tuch. Die Entlüftungsoffnungen gegebenenfalls mit sauberer, trockener Druckluft reinigen, sofern verfügbar.
- Säubern Sie das Gerätegehäuse mit einem feuchten, weichen Lappen und einem milden Reinigungsmittel. Verwenden Sie keinesfalls benzin- oder alkoholhaltige oder andere scharfe Reinigungsmittel.
- Reinigen Sie Kunststoffteile niemals mit Ätzmitteln.

Schmierung

- Schmieren Sie alle beweglichen Teile in regelmäßigen Abständen mit einem geeigneten Sprühschmiermittel.

Lagerung

- Gerät an einem sicheren, trockenen Ort außerhalb der Reichweite von Kindern lagern.

Entsorgung

Beachten Sie bei der Entsorgung von defekten und nicht mehr reparablen Elektrowerkzeugen die geltenden Vorschriften und Gesetze.

- Elektrowerkzeuge und andere elektrische und elektronische Altgeräte nicht über den Hausmüll entsorgen.
- Lassen Sie sich von der zuständigen Behörde bezüglich der ordnungsgemäßen Entsorgung von Elektrowerkzeugen beraten.

Fehlerbehebung

Störung	Mögliche Ursache	Empfohlene Abhilfe
Bei eingeschalteter Stromversorgung kein Betrieb	Kein Strom	Stromversorgung überprüfen
	Netzschalter der Fräse ist ausgeschaltet	Netzschalter der Fräse zurücksetzen
Tischmodul nicht waagrecht	Stellschrauben nicht korrekt eingestellt	Siehe Abschnitt „Nivellierung des Fräsenmoduls“
	Unebener Untergrund	Workcenter muss auf stabilem, flachem Boden stehen; bei unebenem Untergrund an anderer Stelle aufstellen
Unbekanntes mechanisches Geräusch	Sicherstellen, dass der Fräser richtig montiert ist	Spannzange festziehen
	Andere Befestigungselemente haben sich gelöst	Befestigungselemente überprüfen
	Oberfräse hat sich aus der Fräsenbefestigung gelöst	Fräse richtig befestigen und Befestigungselemente anziehen
Bei Gebrauch große Mengen Staub und Späne	Sicherstellen, dass der Beutel oder Zylinder der Absaugeinheit nicht gefüllt ist	Beutel oder leeren Zylinder austauschen
	Sicherstellen, dass die Staubabsaugung eingeschaltet ist	Einschalten
	Sicherstellen, dass die Staubabsaugung ordnungsgemäß angeschlossen ist	Sicherstellen, dass alles entlang der gesamten Staubabsaugereinheit samt Schlauch richtig montiert ist
Minderwertige Ergebnisse	Sicherstellen, dass der Fräser scharf und in gutem Zustand ist	Fräser austauschen, wenn er stumpf oder abgenutzt ist
	Sicherstellen, dass die Fräsdrehzahl korrekt ist	Drehzahl an der Fräse richtig einstellen
	Frästiefe je Arbeitsgang zu groß	Arbeit in mehreren Arbeitsgängen abschließen
Werkstück lässt sich nur mühsam kontrollieren	Werkstück falsch positioniert	Zusätzliche Sicherheitshinweise finden Sie im Abschnitt „Zusätzliche Sicherheitshinweise für Frästsche“ und in der Original-Betriebsanleitung Ihrer Fräse
	Anschlag falsch positioniert	
	Richtung des Werkstücks falsch	
	Druckkämme nicht richtig verwendet	

Garantie

Zur Anmeldung Ihrer Garantie besuchen Sie bitte unsere Website www.tritontools.com* und tragen dort Ihre persönlichen Daten ein. Ihre Angaben werden (wenn nicht anders angewiesen) in unseren elektronischen Verteiler aufgenommen, damit Sie Information über zukünftige Produkteinführungen erhalten. Die von Ihnen bereitgestellten Angaben werden nicht an Dritte weitergegeben.

Kaufinformation

Kaufdatum: ___/___/___

Modell: TWX7RT001 Bewahren Sie bitte Ihren Beleg als Kaufnachweis auf.

Triton garantiert dem Käufer dieses Produkts, dass Triton, wenn sich Teile dieses Produkts innerhalb von 3 Jahren ab Originalkaufdatum infolge fehlerhafter Materialien oder Arbeitsausführung als defekt erweisen, das mangelhafte Teil nach eigenem Ermessen entweder kostenlos reparieren oder ersetzen wird.

Diese Garantie gilt nicht für kommerzielle Verwendung und erstreckt sich nicht auf normalen Verschleiß oder Schäden infolge von Unfall, Missbrauch oder unsachgemäßer Verwendung.

*Bitte registrieren Sie sich innerhalb von 30 Tagen nach dem Kauf online.

Es gelten die allgemeinen Geschäftsbedingungen.

Ihre gesetzlich festgelegten Rechte werden dadurch nicht eingeschränkt.

Traduzione delle istruzioni originali

Introduzione

Grazie per aver acquistato questo utensile Triton. Queste istruzioni contengono informazioni utili per il funzionamento sicuro ed affidabile del prodotto. Per essere sicuri di utilizzare al meglio il potenziale dell'utensile si raccomanda pertanto di leggere a fondo questo manuale. Conservare il manuale in modo che sia sempre a portata di mano e accertarsi che l'operatore dell'elettro utensile lo abbia letto e capito a pieno.

Descrizione dei simboli

La targhetta sul vostro strumento può mostrare simboli. Questi rappresentano importanti informazioni sul prodotto o istruzioni sul suo utilizzo.



Usare la protezione acustica
Indossare occhiali protettivi
Indossare protezione respiratoria
Indossare il casco



Indossare la protezione delle mani



Leggere il manuale di istruzioni



Essere consapevoli di contraccoppi!



Attenzione: lame affilate e denti!



Solo per uso all'interno!



NON utilizzare in caso di pioggia o in ambienti umidi!



ATTENZIONE: Parti in movimento possono provocare lesioni da schiacciamento e taglio.



Attenzione!



Fumi tossici o gas!



Non toccare! NON accedere la guardia senza rimuovere l'alimentazione. Tenere i bambini ed altre persone durante l'impiego dell'utensile elettrico. Le distrazioni possono causare la perdita di controllo. Tutti i visitatori devono essere tenuti a distanza di sicurezza dalla zona di lavoro.



Scollare sempre dalla rete elettrica durante la regolazione, durante il cambio degli accessori, la pulizia, la manutenzione e quando non è in uso!

Abbreviazioni tecniche

V	Volts
~, AC	Corrente alternata
A, mA	Ampere, milli-Amp
v ₀	Velocità a vuoto
Ø	Diametro
°	Gradi
λ	Lunghezza d'onda
Hz	Hertz
---, DC	Corrente continua
W, kW	Watt, kilowatt
/min or min ⁻¹	Operazioni per minuto
dB(A)	Livello sonoro decibel (A ponderato)
m/s ²	Metri al secondo quadrato (grandezza della vibrazione)

Specifiche Tecniche

Parte no:	TWX7RT001
Fresatrici compatibili:	Triton TRA001 Triton MOF001 Triton JOF001
Dimensione modulo fresatrice:	660 x 410 mm
Workcentre dimensioni banco:	904 x 708 mm
Estruso dimensione guida:	680 x 85 mm
Estruso spessore guida:	21,4 mm
Dimensione faccia guida cartongesso:	340 x 75 mm (x2)
Max apertura faccia guida:	90 mm
Posizione regolabile della guida:	+ 25 / -125 mm
Micro regolatori:	1 mm (un giro completo)
Impostazioni della barra distanziatore:	0,5, 1,0, 1,5, 2,0 mm
Altezza guardia:	0-76 mm
Altezza del ammasso:	1 (9,5 mm), 2 (15 mm), 3 (44 mm), 4 (50 mm)
Diametro della placca massima fresa (Dmax):	Large - 50 mm Medium - 40 mm Small - 20 mm
Aspiratori raccordo (Dia):	31.75 mm Alta pressione / 62.5 mm Bassa Pressione
Peso netto:	9.9 kg

Avvisi di sicurezza generali per elettro utensili

ATTENZIONE! Quando si utilizzano utensili elettrici, le precauzioni di sicurezza devono sempre essere seguite per ridurre il rischio di incendi, scosse elettriche e danni alle persone tra cui le seguenti informazioni di sicurezza. Leggere tutte queste istruzioni prima di utilizzare il prodotto e conservare queste istruzioni per un utilizzo futuro.

ATTENZIONE: Questo apparecchio non è destinato all'uso da parte di persone (inclusi i bambini) con capacità ridotta, fisici o mentali, o con mancanza di esperienza o di conoscenza, a meno che non siano controllati o istruiti all'uso dell'apparecchio da una persona responsabile della loro sicurezza. I bambini devono essere sorvegliati per assicurarsi che non giochino con l'apparecchio.

ATTENZIONE: Utilizzare utensili elettrici, accessori, attrezzi, ecc in conformità con queste istruzioni, tenendo conto delle condizioni di lavoro ed il lavoro da svolgere. L'impiego di utensili elettrici per usi diversi da quelli consentiti potrà dar luogo a situazioni di pericolo.

Il termine "utensile elettrico" nelle avvertenze si riferisce al vostro elettro utensile (con cavo) alimentati dalla rete o a batteria (senza cavi).

1 - **Mantenere l'area di lavoro libero** - Il disordine e panchine invitano gli infortuni

2 - **Considerare l'ambiente di lavoro**

- Non esporre gli utensili alla pioggia
- Non utilizzare gli strumenti in luoghi umidi o bagnati
- Mantenere l'area di lavoro ben illuminata
- Non usare utensili in presenza di liquidi o gas infiammabili

3 - **Protezione contro le scosse elettriche** - Evitare il contatto fisico con superfici collegate a terra (p.es. tubi, caloriferi, fornelli, frigoriferi)

4 - **Tenere le altre persone lontane** - Non consentire a persone, soprattutto bambini, non coinvolti nei lavori toccare l'utensile o il cavo di prolunga e tenerli lontani dall'area di lavoro

5 - **Riporre gli elettro utensili** - Quando non è in uso, gli strumenti devono essere conservati in un luogo chiuso a chiave asciutto, fuori dalla portata dei bambini

6 - **Non forzare lo strumento** - Si eseguirà il lavoro meglio e più sicuro alla velocità per la quale è stato previsto

7 - **Utilizzare lo strumento giusto** - Non forzare piccoli attrezzi per fare il lavoro di un attrezzo pesante. Non usare utensili per scopi non previsti, ad esempio non utilizzare seghe circolari per tagliare grossi tronchi

8 - **Abbigliamento adeguato**

- Non indossare abiti larghi o gioielli, che possono rimanere impigliati nelle parti in movimento
- Calzature di sicurezza adatte sono consigliate quando si lavora all'aperto.
- Indossare rivestimento di protezione per contenere i capelli lunghi

9 - **Utilizzare dispositivi di protezione**

- Usare occhiali di sicurezza
- Utilizzare una mascherina antipolvere, se le operazioni di lavoro creano polvere

ATTENZIONE: Non utilizzare dispositivi di protezione o abbigliamento adeguato che può causare lesioni personali o aumentare la gravità di un infortunio.

10 - **Collegare apparecchiature di aspirazione** - Se lo strumento è previsto per il collegamento di aspirazione della polvere e di raccolta delle apparecchiature, assicurarsi che siano collegati e utilizzati correttamente

11 - **Non abusare del cavo di alimentazione** - Non tirare mai il cavo di alimentazione per scollegarlo dalla presa. Tenere il cavo di alimentazione lontano da bordi di calore, olio e bordi taglienti. Cavi di alimentazione danneggiati o aggrovigliati aumentano il rischio di scosse elettriche

12 - **Lavoro sicuro** - Dove possibile utilizzare pinze o morse per bloccare il lavoro. E' più sicuro che usare la mano

13 - **Non sbilanciarsi** - Mantenere sempre la posizione e l'equilibrio in ogni momento

14 - **Mantenere gli utensili elettrici con cura**

- Mantenere gli utensili da taglio affilati e puliti rende più facile da controllare lo strumento e meno probabilità di legarsi o bloccare il pezzo in lavorazione
- Seguire le istruzioni per la lubrificazione e la sostituzione degli accessori
- Controllare i cavi di alimentazione degli strumenti periodicamente e se danneggiato mandarle in riparazione presso un centro di assistenza autorizzato
- Controllare che i cavi di prolunga periodicamente e sostituirlo se danneggiato
- Mantenere le impugnature asciutte, pulite e prive di olio e grasso

ATTENZIONE: Molti incidenti sono causati da una scarsa manutenzione.

15 - **Strumenti di disconnessione** - Quando non è in uso, prima della manutenzione e durante il cambio accessori come lame, punte e frese, scollegare strumenti dalla rete elettrica

ATTENZIONE: L'uso di accessori o ricambi non raccomandati dal produttore può comportare un rischio di lesioni alle persone.

16 - **Rimuovere le chiavi di registro e chiavi** - formare l'abitudine di controllare per vedere che le chiavi di registro vengono rimossi dallo strumento prima di accenderlo

17 - **Evitare avviamenti accidentali** - Controllare che l'interruttore sia in posizione " off " per il collegamento ad una presa di rete o durante l'inserimento di una batteria, o al quando ritirando o trasportando lo strumento

ATTENZIONE: L'avviamento non intenzionale di uno strumento è in grado di causare lesioni importanti.

18 - **Utilizzare prolunghes esterne** - Quando lo strumento viene utilizzato all'aperto, utilizzare solo prolunghes per uso esterno e in modo

marcato - L'uso di un cavo di prolunga adatto per l'uso esterno riduce il rischio di scosse elettriche

19 - Fare attenzione

- Fate attenzione a quello che state facendo , usare il buon senso e non azionare l'utensile quando si è stanchi
- Non utilizzare uno strumento di potere , mentre si è sotto l'effetto di droghe , alcol o medicinali

ATTENZIONE : Un attimo di distrazione durante l'uso può causare gravi lesioni personali.

20 - Controllare le parti danneggiate

- Prima di un'ulteriore utilizzo dell'utensile , esso deve essere attentamente controllato per determinare che funzioni correttamente per svolgere la funzione prevista
- Verificare l'allineamento di parti in movimento , legando di parti in movimento , danni ai componenti , montaggio e altre condizioni che possono compromettere il funzionamento
- Una guardia o altre parti danneggiate devono essere adeguatamente riparate o sostituite da un centro di assistenza autorizzato se non diversamente indicato nel presente manuale di istruzioni
- Gli interruttori difettosi devono essere sostituiti da un centro di assistenza autorizzato

ATTENZIONE: Non utilizzare lo strumento se l' interruttore on / off non si accende e spegne . L'interruttore deve essere riparata prima di utilizzare l' utensile .

21 - **Far riparare da personale qualificato** - Questo utensile elettrico è conforme alle norme di sicurezza. Le riparazioni devono essere eseguite esclusivamente da personale qualificato, altrimenti questo può comportare un notevole pericolo per l'utente

ATTENZIONE: Per la manutenzione utilizzare solo parti di ricambio identiche.

ATTENZIONE: Se il cavo di alimentazione è danneggiato, deve essere sostituito dal produttore o da un centro di assistenza autorizzato.

22 - **La presa dello strumento deve corrispondere alla presa di corrente** - Non modificare la spina in alcun modo. Non usare adattatori per spine con utensili elettrici messa a terra (messa a terra). Le spine non modificate e le prese adatte allo scopo riducono il rischio di scosse elettriche

23 - **In caso di funzionamento di un utensile elettrico all'esterno utilizzare un dispositivo di corrente residua (RCD)** - Utilizzo di un RCD riduce il rischio di scosse elettriche

NB: Il termine "dispositivo di corrente residua (RCD)" può essere sostituito con il termine "interruttore differenziale (salvavita)" o "interruttore differenziale (ELCB)".

ATTENZIONE: Se utilizzato in Australia o in Nuova Zelanda, si raccomanda che questo strumento viene sempre fornito con dispositivo di corrente residua (RCD) con una corrente differenziale nominale di 30 mA o meno.

AVVERTENZE. Prima di collegare uno strumento a una fonte di alimentazione (interruttore di rete presa di alimentazione, presa di corrente, ecc) assicurarsi che la tensione è la stessa di quella indicata sulla targhetta dell'utensile. Una fonte di alimentazione con una tensione superiore a quella indicata per lo strumento può causare gravi lesioni per l'utente, e danni allo strumento. In caso di dubbio, non collegare lo strumento. Utilizzando una fonte di alimentazione con una tensione inferiore a quella nominata sulla targhetta è dannoso per il motore.

Le spine polarizzate (solo Nord America) Per ridurre il rischio di scosse elettriche, l'apparecchio dispone di una spina polarizzata (una lama più larga dell'altra). Questa spina può essere inserita in una presa polarizzata in un solo modo. Se la spina non entra completamente nella presa, invertire la spina. Se ancora non si adatta, contattare un elettricista qualificato per installare la presa adeguata. Non modificare la spina in alcun modo.

Sicurezza durante l'uso del banco fresa

⚠ ATTENZIONE: Indossare sempre dispositivi di protezione individuale;

- Protezione acustica per ridurre il rischio di perdita di udito indotta
- Protezione delle vie respiratorie per ridurre il rischio di inalazione di polveri nocive
- Quantti antitaglio no-mischia per evitare possibili lesioni durante la manipolazione fresse e materiale grezzo a causa di spigoli vivi. Qualsiasi quanti dove tessuto possono allentarsi con la possibilità di filamenti di tessuto non deve essere utilizzato durante il funzionamento del piano di fresatura
- Occhiali di sicurezza per evitare lesioni agli occhi causate da particelle volanti

Assicurarsi che tutte le persone nelle vicinanze della zona di lavoro utilizzano una protezione adeguata. Tenere gli astanti a distanza di sicurezza.

⚠ ATTENZIONE: Collegare sempre la porta di aspirazione sulla guardia da taglio ad un sistema di aspirazione adatto. Alcuni tipi di legno sono tossici o possono causare reazioni allergiche in persone e animali, soprattutto quando sono esposti alla polvere molto fine. Indossare sempre una protezione per le vie respiratorie, oltre all'estrazione della polvere.

- a) **Montare SOLO fresatrici ad immersione che sono elencati come compatibili in 'Specifiche' al banco fresa.** Montare solo fresse adatte che sono adatti per la fresatrice a stantuffo, con gambi compatibili con il mandrino installato.
- b) **Non allungarsi mai oltre il lato inferiore del banco fresa quando la fresatrice è collegata alla rete elettrica.**
- c) **Togliere sempre la molla della fresatrice e piastra di base in plastica, prima di montare lo strumento al banco fresa.** Questo facilita il cambiamento e l'altezza dell' avvolgitore di regolazione fresa da sopra il banco.
- d) **Tenere le mani lontano dalla zona di taglio.** MAI passare le mani direttamente sopra, o davanti, la fresa rotante. Come una mano si avvicina alla fresa, allontanarla dalla taglierina, in un movimento ad arco sopra la parte superiore della fresa, al lato di uscita oltre la taglierina. Non passare mai le dita dietro il pezzo e NON utilizzare posizioni delle mani scomode. Utilizzare bastoni da spinta e blocchi, se necessario.
- e) Non tentare di eseguire operazioni su pezzi più corti di 300 mm (12") di lunghezza senza l'utilizzo di attrezzature speciali o gighe. Preferibilmente taglia materiali più lunghi e poi eventualmente taglia alla lunghezza desiderata.
- f) **Valutare i rischi, i benefici e le alternative PRIMA di usare bastoni di spinta, blocchi di spinta o altre giga e dispositivi di sicurezza.** In molte applicazioni l'uso di tali congegni è utile e sicuro, tuttavia, in altri può essere pericoloso. Bastoni di spinta possono volare via dalla mano dell'operatore, quando entrano in contatto con la fresa rotante, causando potenzialmente gravi lesioni.
- g) **Sostenere SEMPRE pezzi di grandi dimensioni sui lati di ingresso e uscita di avanzamento del piano di fresatura, e, se necessario, anche ai lati.** Utilizzare Triton estensioni scorrevoli o Multi-supporto, dove possibile.
- h) **Usare sempre protezioni, recinzioni, featherboards orizzontali e verticali, ecc, per guidare il pezzo, contrastare ed evitare contraccoppi, soprattutto quando tagliando pezzi piccoli o stretti.** Featherboards verticali collegati alla recinzione aiutano anche a prevenire sollevamento incontrollatodl pezzo.
- i) **Rimuovere SEMPRE TUTTI gli oggetti sparsi dal banco prima di utilizzarlo.** Le vibrazioni possono causare oggetti liberi di muoversi, ed entrare in contatto con la taglierina.
- j) **Non tentare di rimuovere i frammenti o polvere di legno da taglio con le mani, mentre la fresa è in rotazione.** Spegnere sempre la fresatrice, scollegare l'apparecchio dalla rete elettrica, e attendere che il taglio è giunto a un punto morto. Usare sempre guanti a prova di taglio quando si tocca la taglierina, per evitare lesioni.
- k) **Controllare sempre il pezzo per chiodi, graffette e altri oggetti metallici e corpi estranei.** Se la taglierina colpisce un chiodo nascosto, la punta potrebbe distruggersi, proiettili ad alta velocità possono essere prodotti, contraccoppi possono verificarsi, ognuno dei quali può portare a lesioni gravi.
- l) **Per quanto possibile, usare tecniche di taglio cieco, dove la fresa non sporga da sotto il pezzo.** Mantenere la taglierina sul lato inferiore del pezzo fornisce una protezione dell'operatore aggiuntivo.
- m) **Esporre solo la più piccola parte possibile della fresa sopra la superficie del banco.** Tenere qualsiasi parte inutilizzata del taglio sotto la superficie del banco.
- n) **Controllare sempre una nuova impostazione ruotando il mandrino a mano, con la macchina scollegata dalla rete elettrica.** Garantire la corretta distanza di taglio dalla posizione gola, guida e guardia, prima di avviare la macchina.
- o) **Usare sempre piastre di gola idonei,** fornendo spazio ottimale intorno alla fresa.
- p) **Usare sempre la protezione fresa,** e regolare la guardia per coprire il maggior parte della punta possibile, il più vicino al pezzo possibile. Questo non solo protegge l'utente dall'accesso alla fresa rotante, ma fornisce anche un'aspirazione efficace
- q) **Limitare la profondità di taglio; NON rimuovere MAI troppi materiali in un unico passaggio.** Diversi passaggi con una profondità di taglio più piccola sono più sicuri, e producono una migliore finitura superficiale.
- r) **ASSICURARSI la regolazione della velocità di taglio, secondo il diametro di taglio della fresa e materiale da tagliare.** Utilizzare la manopla di selezione velocità sulla fresatrice a stantuffo
- s) **SEMPRE alimentare la rotazione della fresa.** Sia la direzione di alimentazione e la rotazione sono indicati da frecce sulla superficie del banco fresa.
- t) **Usare sempre la guida se si utilizza una fresa senza cuscinetto o pilota.** Sostenere SEMPRE il pezzo con forza contro il muro. NON rimuovere le protezioni retrattili sulla guida. Usare sempre una fresa con cuscinetto o pilota per il lavoro a mano libera.

Ulteriori informazioni sulla sicurezza

- Utilizzare esclusivamente fresse in perfette condizioni di lavoro compatibili con la specifica del banco fresa e che sono adatti per il funzionamento di alimentazione della mano (contrassegnati 'MAN' per il funzionamento manuale secondo EN 847-1)
- La punta non deve penetrare il pezzo nella stessa direzione della direzione di alimentazione. In questo caso, è probabile che causa un taglio a salita, causando il pezzo a salire e tirare via dall'operatore. Questo può portare ad una perdita di controllo e un potenziale pericolo durante il funzionamento
- Non tentare di riaffiare fresse a meno che non avete espressamente seguito le istruzioni del produttore e avete l'attrezzatura per completare questa operazione. La maggior parte delle fresse hanno lame che non possono essere ri-affilate e devono essere sostituite immediatamente se smussate
- Non creare trappole di guida causate da una posizione di guida impropria. Trappole della guida accadono quando la guida è posizionata così indietro che il lato anteriore del pezzo si trova dietro la taglierina. Questi sono pericolosi per il rischio di taglio salita e per la difficoltà che ci vuole per mantenere il pezzo contro il muro

- Assicurarsi che l'inserito banco corretto (banco ad anello) è montato che è la dimensione giusta per la dimensione della taglierina montata
- Non usare mai un banco fresa fin quando non completamente assemblato e sempre controllare i fissaggi dopo il ri-assemblaggio dopo la conservazione
- Accertarsi che la fresatrice non sia collegato alla presa di alimentazione durante l'installazione nel banco o quando si eseguono le regolazioni o durante il cambio degli accessori
- NON collegare la fresatrice ad una presa di corrente standard. Deve essere inserita nella scatola di comando del banco fresa in modo che possa essere spento in caso di emergenza
- Il banco fresa deve essere installato su una superficie piana solida e fissata in modo che il banco non si rovescia. L'utilizzo di supporti ausiliari all' ingresso e all'uscita di alimentazione sia necessario per pezzi lunghi o larghi. Pezzi lunghi senza sufficiente supporto potrebbero causare il banco di ribaltarsi verso l'operatore causando danni
- Le fresatrici creano un sacco di vibrazioni e possono allentarsi dai loro sostegni. Controllare i supporti di frequente e stringere se necessario
- Non avviare lo strumento con la fresa già inserita nel pezzo. Questo può portare ad una mancanza di controllo e possibili lesioni
- Il banco fresa è stato progettato per tagliare solo materiale piatto, dritto e squadrato. Non tagliare materiale deformato, irregolare, debole o materiale incoerente. Se necessario controllare che il materiale è preparato correttamente prima dell'uso. Materiale non corretto può portare ad una mancanza di controllo e a possibili lesioni

⚠ ATTENZIONE: Gli strumenti non mantenuti possono causare situazioni non controllate. Utilizzare solo fresse che sono correttamente affilate, mantenute e regolate secondo le istruzioni del produttore.

NB: Cercare la formazione professionale e l'assistenza prima di tentare il lavoro che richiedono procedure con cui non avete familiarità. Smettere di usare il banco fresa, se, in qualsiasi momento durante il funzionamento, si incontrano difficoltà o dubbi su come procedere in sicurezza.

Familiarizzazione del Prodotto

1. Fessura a T orizzontale per guide
2. Distanziale per guida
3. Vite di livellamento modulo
4. Micro regolatore per guida
5. Guida a spazzola verticale (Featherboard)
6. Manopola della guardia
7. Connettore di estrazione
8. Guida
9. Manopola della guida
10. Scala del banco
11. Vite di livellamento modulo
12. Foro per pollice
13. Ghiera di regolazione Featherboard
14. Faccia guida
15. Rulli e rotaie di montaggio modulo
16. Fori per avvolgitore altezza fresa
17. Guardia
18. Indicatore di direzione
19. Guida a spazzola orizzontale (Featherboard)
20. Ghiera a T per Featherboard
21. Ghiera di regolazione Featherboard
22. Vite a bobina dik livellamento modulo
23. Ghiera di regolazione guida
24. Micro-regolatore
25. Foro per guida
26. Ghiera micro regolatore per guida
27. Indicatore scala banco

Destinazione d'uso

Un banco sega efficace capace di effettuare sconti di bordo, taglio a scavo, scavo a croce, piallatura, stampaggio bordo (con guida e a mano libera), il lavoro di grano fine, utilizzando una guida modello e unire a mortasa. Per l'uso con i Triton WorkCentre TWX7 e Triton fresatrice.

Disimballaggio dello strumento

- Estrarre delicatamente e controllare il vostro nuovo strumento. Familiarizzarsi con tutte le sue caratteristiche e funzioni
- Assicurarsi che tutte le parti dello strumento sono presenti e in buone condizioni. In caso di parti mancanti o danneggiate, sostituite tali parti prima di utilizzare questo strumento

IMPORTANTE: Leggere le istruzioni in combinazione con le istruzioni fornite con la fresatrice Triton e Triton Workcentre.

Per il video di istruzioni, andare su www.tritontools.com

Prima dell'uso

⚠ ATTENZIONE: Assicurarsi che la fresatrice sia spenta e scollegata dalla rete elettrica prima di collegare o cambiare gli accessori, l'inserimento o la rimozione di moduli o di eseguire qualsiasi regolazione.

Installazione e rimozione del modulo fresa

Vedere l'installazione e rimozione di moduli' nel manuale principale WorkCentre TWX7 per una guida completa.

ATTENZIONE: Prima di installare o rimuovere il modulo banco fresa abbassare la taglierina ad una posizione di quota di sicurezza.

IMPORTANTE: Alcuni moduli sono pesanti, in particolare con gli strumenti di potenza installata. Afferrare SEMPRE moduli con entrambe le mani, assicura un appoggio sicuro, stare in piedi, ed evitare movimenti goffi durante la rimozione e il montaggio dei moduli

IMPORTANTE: Abbassare sempre i moduli con attenzione usando entrambe i fori per pollice previsti. Incontrollata abbassamento può causare il Workcentre, modulo e danni allo strumento di potere, nonché possibili lesioni all'operatore.

⚠ ATTENZIONE: Non mettere le dita e / o parti del corpo tra il modulo e il telaio Workcentre. Vedi Fig. L

Per rimuovere: Altermare i blocchi del modulo nella posizione di sblocco (vedi Fig.M.). Usando entrambe i fori per pollice (12) per inclinare il modulo a 45° poi far scorrere e sollevare

Per inserire: Individuare i rulli di montaggio modulo nelle rotaie di montaggio modulo (15) come punto di cerniera di montaggio e abbassare l'inserito verso il basso. Utilizzare i fori per pollice per abbassare ad una posizione di livello e poi ri-bloccare le serrature

NB: I moduli possono essere posizionati in piedi angolandoli di circa 120°. Questa posizione può essere utilizzata quando sono necessarie regolazioni sul lato inferiore dei moduli, ad esempio adattamenti dei utensili elettrici montati, e non c'è necessità di rimuovere il modulo.

Montaggio del modulo banco fresa

- Utilizzare i dati forniti; A-K per assemblare il modulo del banco fresa. Fase B richiede ulteriori informazioni qui di seguito.

NB: P1-6 su Fig.A è il punto di partenza per il funzionamento a mano libera e richiede un fissaggio adatto per il funzionamento a mano libera.

Montaggio di una fresatrice Triton alla piastra di montaggio

- La piastra di montaggio è sul lato inferiore del banco ed è stato progettato per il montaggio diretto di una delle tre fresatrici Triton (J0F001, MOF001 e TRA001)

ATTENZIONE: Rimuovere la molla a stantuffo per configurare la fresatrice per il funzionamento montato a banco. Consultare il manuale della fresatrice originale per la procedura. Conservare con cura la molla in quanto dovrà essere nuovamente montato quando la fresatrice viene rimosso del modulo del banco fresatrice

1. Rimuovere la copertura in plastica della piastra di base rimuovendo le viti di fissaggio. La piastra di base di plastica e le viti devono essere conservati in modo sicuro per quando possono essere utili per il rimontaggio in futuro
2. Assicurarsi che la base della fresatrice è completamente pulita così sarà a livello con la piastra di montaggio quando montata
3. Allentare le due manopole di montaggio sulla fresatrice finché sono a circa 10 mm sopra la base quando spinto verso il basso
4. Spingere verso il basso le manopole di montaggio fino a quando le teste dei bulloni si innescano nei fori e ruotare in senso antiorario la fresatrice fino a quando le manopole siano allineati con i piccoli fori a triangolo (Fig. B)
5. Serrare le manopole di montaggio saldamente
6. Assicurandosi che l'alimentazione di rete sia spenta, collegare la spina del cavo di alimentazione dello strumento di potere alla presa del WorkCentre non direttamente ad una presa a muro o altre reti di alimentazione

NB: Le prime fresatrici Triton TRA001 non sono dotati di un connettore per l'avvolgitore.

Livellamento placca ago

- Livellare la placca ago nel banco utilizzando una squadra e la chiave esagonale fornita per regolare le viti di livellamento (vedi Fig. N)
- Inserire le tre viti della placca ad gola (P8) per fissare la placca in posizione
- Controllare che la piastra di gola è a livello con la superficie del tavolo

IMPORTANTE: Assicurarsi sempre che la placca corretta viene utilizzata per la fresa montata.

Livellamento del modulo

• Tutti i moduli devono essere regolati in modo che siano a livello con il telaio Workcentre, per ottenere risultati accurati e per un funzionamento sicuro. Pertanto tutti i moduli sono dotati di sette viti di livellamento modulo (11)

- Inserire il modulo nel telaio del Workcentre e bloccare entrambe i fermi di arresto modulo
- Serrare le tre viti di livellamento fino a quando non c'è movimento tra il modulo e il telaio del Workcentre
- Posizionare un regolo sopra l'angolo, attraverso le viti di livellamento, e verificare la presenza di spazi
- Regolare le viti di livellamento, utilizzando la chiave a brugola in dotazione, fino a quando entrambi i lati dell'angolo sono a filo con il telaio del Workcentre
- Ripetere per i rimanenti tre angoli e per la vite singola di livellamento al centro del lato lungo del modulo.
- Controllare tutti i lati del modulo sono a filo con il telaio del Workcentre posizionando un regolo sul modulo, perpendicolare ai lati lunghi e corti, nonché diagonale sul tavolo. Regolare bene e ri-verificare, se necessario

Aspirazione della polvere

ATTENZIONE: Utilizzare sempre una aspirapolvere o un sistema di aspirazione professionale adatto.

ATTENZIONE: Alcune polveri di legno naturale, rivestimenti superficiali e materiali compositi contengono sostanze tossiche. Smalire SEMPRE polveri nocive in base alle leggi e ai regolamenti.

- Mentre l'aspirazione della polvere può essere realizzata con qualsiasi aspirapolvere, unità domestiche (tipo-sacchetto) possono riempirsi molto rapidamente. Per una capacità molto più grande, considerare il montaggio del sistema raccogli polvere di Triton (DCA300) alla vostro aspirapolvere
- Il carico elettrico combinato della fresatrice e aspirapolvere può superare l'ampéraggio nominale della prolunga domestica o presa di corrente. Collegare sempre l'aspirapolvere e fresatrice a prese elettriche separate, e accendere entrambi gli apparecchi separatamente

Funzionamento

ATTENZIONE: Indossare sempre occhiali di protezione, adeguata delle vie respiratorie e protezione acustica, così come guanti adatti, quando si lavora con questo strumento.

IMPORTANTE: Il banco fresa è contrassegnato con la direzione di alimentazione. Questo indica la direzione corretta e sicura del pezzo quando si effettua il taglio.

ATTENZIONE: Non sovra-bilanciare il Workcentre utilizzando pezzi di grandi dimensioni.

NB: Fare riferimento alle istruzioni originali del TWX7 Workcentre per tutte le informazioni e gli schemi che si riferiscono a parti del WorkCentre.

Operazione commutatore del Workcentre

IMPORTANTE: Il commutatore richiede una connessione di rete diretta per accendersi. Si resetta su OFF non appena l'alimentazione sia scollegata e richiede il ripristino su ON quando viene ripristinata per continuare l'operazione

Accensione e spegnimento

NB: Consultare il manuale della fresatrice per ulteriori informazioni

- L'interruttore del Workcentre ON / OFF si trova nella parte anteriore
 - Collegare il cavo di alimentazione WorkCentre ad una presa a muro e accendere
 - Accendere l'interruttore ON / OFF del Workcentre nella posizione '0' spingendo sulla battuta lembo di emergenza
 - Accendere l'utensile elettrico con il tasto ON / OFF nella posizione '1'
 - Accendere il Workcentre posizionando l'interruttore ON/OFF su '1' per alimentare lo strumento da utilizzare
- Premere sullo sportello di arresto di emergenza per spegnere

La posizione dell'utente e direzione di alimentazione

- La posizione dell'utente principale è definita dalla posizione dell'interruttore di sicurezza a taglio
- Rimangono sempre posizionati in prossimità del commutatore, in modo che la macchina può essere immediatamente disattivata in caso di emergenza
- Inserisci i pezzi da questa posizione nella direzione indicata dalle frecce sulla superficie banco del singolo modulo

Montaggio e lo smontaggio delle frese

ATTENZIONE: Non utilizzare frese che superano 50 mm di diametro con l'inserto del banco fresa.

- Spegnere la fresatrice con l'interruttore di alimentazione montato allo strumento stesso
- Inserire l'avvolgitore del banco tramite il banco e girare per sollevare la fresa e il mandrino
- Usare la chiave del mandrino per rimuovere e sostituire la fresa esistente
- Avvolgere l'avvolgitore in modo che la fresa è nella posizione di altezza giusta
- Garantire che l'interruttore di accensione del Workcentre è impostata su 'Off', riportare l'interruttore On/Off nella posizione On

IMPORTANTE: Non utilizzare l'avvolgitore mentre la fresatrice è alimentato.

IMPORTANTE: Fare riferimento al manuale della fresatrice per i dettagli sui tipi di punte frese compatibili e sulle dimensioni.

Utilizzando la guardia

- Assicurarsi che la guardia (17) viene utilizzata quando possibile e impostare la posizione di altezza corretta per garantire la massima protezione per le mani dell'operatore

Utilizzando i micro regolatori della guida

- Avvitare i selettori rotativi sui micro regolatori della guida (4) per fornire una regolazione sufficiente
- Serrare i micro regolatori in posizione contro la parte posteriore della guida ed avvitare le rotelle zigrinate per ottenere la riduzione richiesta. Un giro completo è di 1 mm
- Sbloccare la guida, spostarla indietro contro i micro regolatori e serrare

Utilizzando la guida

- Le facce della guida (14) devono essere sempre posizionati in prossimità del taglio il più possibile. Posizionarli facendo scorrere in avanti o indietro. Garantire che siano tese abbastanza saldamente per resistere al movimento indesiderato

Utilizzando le guide a spazzola (featherboards)

IMPORTANTE: Le guide a spazzola (featherboards) orizzontali e verticali non dovrebbero sovrapporsi in uso. È necessaria una distanza minima di 10 mm. Vedere Fig. Q

Sia la guida verticale (5) e orizzontale (19) sono usate per applicare una leggera pressione sul pezzo per tenerlo più saldo durante il taglio.

Ogni guida ha un breve perno di plastica (Fig O): indica la linea del pezzo. Regolare sia la guida verticale e orizzontale in modo che questo perno corto tocca appena il pezzo in modo che i perni più lunghi vengono tesi correttamente contro il pezzo in uso

- L'altezza di taglio fresa esposta non deve superare l'altezza delle guide orizzontali installate. Le guide a spazzola orizzontali possono essere impilati per consentire una taglierina superiore e pezzi più alti. Si tratta di un ulteriore acquisto TWX7FB.

Impilati	1	2	3	4
Altezza	9.5mm	15mm	44mm	50mm

Utilizzando i distanziatori della guida

Tagli di piallatura devono essere eseguite con la fresa nascosta dietro le facce della guida (14) (Fig. R & S)

ATTENZIONE: NON effettuare tagli a piallatura con il pezzo che passa tra la fresa e la guida a destra. La fresa si flessa a parte, 'salire' sul lavoro, e strappare il pezzo di mano - o anche tirare la mano verso la fresa

Piallatura sulla guida della fresatrice

- Tagli di piallatura di 0,5, 1,0, 1,5 e 2,5 mm possono essere eseguite utilizzando i distanziatori (2)

Metodo 1

- Assicurarsi che i volti della guida sono vicini alla fresa
- Spingere la guida di sinistra a molla via dalla guida e far scorrere i due distanziatori nelle fessure create nella rotazione richiesta per la profondità di taglio massima richiesta come indicato sul distanziale
- Utilizzare un bordo di legno dritto per allineare la lama con solo la faccia di guida di sinistra. Iniziare il taglio

Metodo 2

- Assicurarsi che i volti della guida sono vicini alla fresa
- Impostare i micro-regolatori (24) a metà corsa; garantire che i marchi sono allineati
- Utilizzare un bordo di legno dritto per allineare la lama con le facce della guida. Spingere le micro-regolatori in contatto con la guida. Bloccare la guida in questa posizione
- Decidere la profondità di taglio desiderata. Avvolgere due micro-regolatori in senso orario da questa profondità. Sbloccare la guida e spingere di nuovo in contatto con il micro-regolatori
- Spingere la molla via dalla guida di sinistra e far scorrere i due distanziatori nelle fessure create in rotazione richiesta per la profondità di taglio massima richiesta come indicato sul distanziale. Iniziare il taglio

Montaggio del perno di avviamento

• Il perno di avviamento può essere montato sul banco fresa per assistere la fresatura a mano libera. Per il funzionamento a mano libera, configurare il banco fresa come in Fig. P

• Assicurarsi che la protezione è regolata correttamente alla giusta altezza per offrire la massima protezione per le mani dell'operatore (Fig. T)

• In uso, il pezzo deve contattare il perno di avviamento e prima essere angolata da quella posizione alla taglierina per il primo taglio

Accessori

• Una vasta gamma di accessori e materiali di consumo, oltre a quelli elencati di seguito, è disponibile presso i rivenditori Triton. Pezzi di ricambio possono essere ottenuti da toolspareonline.com

Codice Triton	Descrizione
TWX7P	Goniometro
TWX7FB	Pacco di guida a spazzola (Featherboards)

Manutenzione

ATTENZIONE: Scollegare SEMPRE dalla rete elettrica prima di effettuare qualsiasi ispezione, manutenzione o pulizia.

Ispezione generale

- Controllare regolarmente che tutte le viti di fissaggio sono strette e tutti i componenti siano integri e in buone condizioni. Non utilizzare il banco di fresatura fin quando i pezzi difettosi, danneggiati o fortemente usurati vengono sostituiti
- Controllare il cavo di alimentazione dello strumento, prima di ogni utilizzo, per eventuali danni o segni di usura. Le riparazione deve essere eseguite presso un centro di assistenza autorizzato Triton. Questo consiglio vale anche per prolunghe utilizzate con questo strumento

Pulizia

- Mantenere lo strumento pulito in ogni momento. Sporczia e polvere causeranno le parti interne di usurarsi rapidamente, e riduce la durata della macchina. Pulire il corpo della macchina con una spazzola morbida, o un panno asciutto. Se disponibile, utilizzare aria compressa pulita, ed asciutta e farla soffiare attraverso i fori di ventilazione
- Pulire il rivestimento strumento con un panno morbido inumidito con un detergente delicato. Non usare alcol, benzina o detersivi aggressivi
- Non utilizzare agenti caustici per la pulizia delle parti in plastica

Lubrificazione

- Lubrificare leggermente tutte le parti in movimento a intervalli regolari con spray lubrificante adatto

Conservazione

- Conservare con cura questo strumento in un luogo sicuro e asciutto fuori dalla portata dei bambini

Smaltimento

Rispettare sempre le normative nazionali per lo smaltimento di strumenti di potere che non sono più funzionali e non sono vitali per la riparazione.

- Non gettare utensili elettrici, o apparecchiature elettriche ed elettroniche di altri rifiuti (RAEE), con i rifiuti domestici
- Contattare l'autorità locale di smaltimento rifiuti per informazioni sul modo corretto di smaltire utensili elettrici

Risoluzione dei Problemi

Problema	Possibile causa	Soluzione
Nessuna funzione quando l'alimentazione è attivata	Nessun potere	Controllare l'alimentazione
	Interruttore di accensione dell'unità è spento	Resettare l'interruttore di funzionamento
Modulo banco non è a livello	Viti di livellamento non sono regolate correttamente	Fare riferimento alla sezione 'Livellamento modulo a fresatura'
	Superficie ruvida	Assicurarsi che il Workcentre si trova su una superficie piana e sicura. Riposizionare il banco se il terreno si trova ad essere ruvido
Rumore meccanico sconosciuto	Controllare che la fresa sia montata correttamente	Serrare gruppo mandrino
	Altri accessori sono allentati	Controllare raccordi
	Fresatrice si è allentata dal montaggio	Assicurare la fresatrice correttamente e stringere raccordi
Grande quantità di scaglie e polvere in uso	Controllare che sacchetto dal sistema di aspirazione o cilindro non sia pieno	Sostituire il sacchetto o il cilindro vuoto
	Controllare estrazione della polvere sia acceso	Accendere
	Controllare che l'estrazione della polvere viene collegato correttamente	Assicurarsi che tutto è montato correttamente lungo tutto il gruppo di estrazione della polvere e tubo
Risultati di scarsa qualità	Controllare che la fresa è forte e in buone condizioni	Sostituire se smussato o usurato
	Controllare la velocità della fresatrice sia corretta	Impostare correttamente la velocità sull'unità della fresatrice
	Taglio è troppo profondo a passaggio	Completa il lavoro in più passaggi
Pezzo difficile da controllare	Pezzo posizionato in modo non corretto	Leggi la sezione Sicurezza durante l'uso del banco fresa e vedere anche il manuale della fresatrice originale per ulteriori informazioni sulla sicurezza
	Guida posizionata in modo non corretto	
	Direzione del pezzo errato	
	Featherboards non utilizzati correttamente	

Garanzia

Per la registrazione della garanzia visitare il sito web www.tritontools.com* e inserire i propri dettagli.

A meno che il proprietario non abbia specificato diversamente, i suoi dettagli saranno inclusi nella lista di distribuzione che sarà utilizzata per inviare regolarmente informazioni sulle novità Triton. I dati personali raccolti saranno trattati con la massima riservatezza e non saranno rilasciati a terze parti.

Informazioni sull'acquisto

Data di acquisto: ___/___/___

Modello N.: TWX7RT001 Conservare lo scontrino come prova dell'acquisto

Triton Precision Power Tools garantisce all'acquirente di questo prodotto che se qualsiasi parte si rivelasse difettosa a causa di materiali difettosi o di fabbricazione entro 3 ANNI dalla data di acquisto originale, Triton riparerà o sostituirà a sua discrezione, la parte difettosa gratuitamente.

Questa garanzia non si applica ad uso commerciale né si estende alla normale usura o danni a seguito di incidenti, abuso o uso improprio.

* Registrati entro 30 giorni.

Si applicano termini e condizioni.

Ciò non pregiudica i diritti legalito be defecti

Introducción

Gracias por haber elegido esta herramienta Triton. Estas instrucciones contienen la información necesaria para utilizar este producto de forma segura y eficaz. Lea atentamente este manual para obtener todas las ventajas y características únicas de su nueva herramienta. Conserve este manual a mano y asegúrese de que todas las personas que utilicen esta herramienta lo hayan leído y entendido correctamente.

Descripción de los símbolos

Los siguientes símbolos pueden aparecer en la placa de características de su herramienta. Estos símbolos representan información importante sobre el producto o instrucciones relativas a su uso.

	<ul style="list-style-type: none"> Leve protección auditiva Leve protección ocular Leve protección respiratoria Leve un casco de seguridad
	Leve guantes de seguridad
	Lea el manual de instrucciones
	Tenga precaución – ¡Peligro de contragolpe!
	¡Atención! Cuchillas/dientes muy afilados
	Para uso solo en interiores.
	No utilizar en ambientes húmedos o bajo la lluvia
	ADVERTENCIA: Los mecanismos móviles de esta herramienta pueden causar cortes y lesiones personales
	¡Peligro!
	¡Peligro! Gases o humo tóxico
	No tocar! Desenchufe la herramienta antes de acceder al protector. Mantenga a las personas y niños alejados de la zona de trabajo. Las distracciones pueden causar la pérdida de control de la herramienta. Las personas deben situarse a una distancia de seguridad de la zona de trabajo.
	Desconecte siempre la herramienta de la toma eléctrica antes de realizar cualquier tarea de mantenimiento, sustituir accesorios o cuando no la esté utilizando.

Abreviaturas de términos técnicos

V	Voltio/s
~, AC	Corriente alterna
A, mA	Amperio/s, miliamperio/s
v	Velocidad sin carga
Ø	Diámetro
°	Grados
λ	Longitud de onda
Hz	Hercio/s
---, DC	Corriente continua
W, kW	Vatio/s, kilovatio/s
/min or min⁻¹	(Revoluciones/ oscilaciones) por minuto
dB(A)	Nivel de decibelios (Ponderada A)
m/s²	Metros cuadrados por segundo (vibración)

Características técnicas

Modelo:	TWX7RT001
Fresadoras compatibles:	Triton TRA001 Triton MOF001 Triton JOF001
Dimensiones del accesorio:	660 x 410 mm
Dimensiones de la mesa del Workcentre:	904 x 708 mm
Dimensiones de la guía de corte de aluminio:	680 x 85 mm
Grosor de la guía de corte de aluminio:	21,4 mm
Dimensiones de la guía de corte DM (x 2):	340 x 75 mm
Extensión máxima de la guía de corte DM:	90 mm
Margen de ajuste de la guía de corte:	+25/-125 mm
Microajustadores de la guía de corte:	1 mm (vuelta completa)
Ajuste de los espaciadores:	0,5, 1, 1,5, 2 mm
Altura del protector:	0 – 76 mm
Altura de los empujadores en modo apilado:	1 (9,5 mm), 2 (15 mm), 3 (44 mm), 4 (50mm)
Diámetro máximo de la placa guía (Ø máx.):	Grande - 50 mm Mediano - 40 mm Pequeño - 20 mm
Diámetro de la salida de extracción de polvo:	Presión alta 31,75 mm / Presión baja 62,5 mm
Peso neto:	9,9 kg

Instrucciones de seguridad para herramientas eléctricas

ADVERTENCIA: Lea siempre el manual de instrucciones antes de utilizar esta herramienta. Las herramientas eléctricas pueden ser peligrosas y causar riesgo de incendio o descarga eléctrica si no se utilizan correctamente. Guarde estas instrucciones con la herramienta para poderlas consultar en el futuro.

ADVERTENCIA: No permita que los niños, personas discapacitadas o personas no cualificadas utilicen esta herramienta. Mantenga esta herramienta fuera del alcance de los niños.

PRECAUCIÓN: Utilice la herramienta eléctrica y los accesorios siguiendo siempre las instrucciones suministradas por el fabricante. El uso de cualquier accesorio diferente a los mencionados en este manual podría ocasionar daños o lesiones graves.

La expresión "herramienta eléctrica" se refiere a su herramienta alimentada por corriente eléctrica (herramienta alámbrica) o una herramienta eléctrica alimentada por baterías (herramienta inalámbrica).

- Mantenga el área de trabajo limpia y bien iluminada.** Las áreas de trabajo desordenadas y oscuras son peligrosas y pueden provocar un accidente.
 - Entorno de trabajo adecuado.**
No utilice esta herramienta bajo la lluvia.
No utilice esta herramienta en áreas húmedas o mojadas.
Mantenga el área bien iluminada.
No utilice esta herramienta en áreas con gases o líquidos inflamables.
 - Descargas eléctricas.** Evite el contacto con superficies puestas a tierra tales como tuberías, radiadores, estufas y refrigeradores.
 - Mantenga alejadas a otras personas.** Mantenga alejados a los niños y personas que se encuentran a su alrededor mientras está trabajando con una herramienta eléctrica.
 - Almacenaje.** Guarde siempre las herramientas eléctricas en un lugar seco fuera del alcance de los niños.
 - No fuerce la herramienta.** La herramienta correcta funcionará mejor y con más seguridad a la velocidad para la que se ha diseñado.
 - Utilice las herramientas y accesorios adecuados.** No intente realizar un trabajo con una herramienta o accesorio que no sea adecuado.
 - Vístase adecuadamente.**
No lleve ropa holgada ni joyas.
Lleve calzado antideslizante.
Mantenga el pelo recogido.
 - Use equipo de protección personal.**
Utilice siempre protección ocular.
Use máscara de protección anti-polvo.
- ADVERTENCIA:** No utilizar el equipo de protección adecuado puede provocar lesiones graves.
- Sistema de extracción de polvo.** Utilice siempre sistemas de extracción de polvo y asegúrese de que esté colocado adecuadamente.
 - No doble el cable de alimentación.** No use nunca el cable de alimentación para transportar la herramienta eléctrica, tirar de ella o desenchufarla. Mantenga el cable de alimentación alejado de fuentes de calor, del aceite, de los bordes afilados o de las piezas móviles.
 - Sujete las piezas de trabajo.** Utilice siempre abrazaderas o un tornillo de banco para sujetar la pieza de trabajo.
 - No adopte posturas forzadas.** Manténgase en posición firme y el equilibrio en todo momento.
 - Mantenimiento de las herramientas.**
Las herramientas de corte deben estar siempre afiladas y limpias. Las herramientas de corte correctamente afiladas son menos propensas a trabarse y son más fáciles de controlar.
Lubrique las piezas y accesorios necesarios.
Inspeccione el cable de alimentación periódicamente. En caso de estar dañado, contacte con un servicio técnico autorizado para su reparación.
Inspeccione los cables de extensión regularmente y repárelos si están dañados.
Mantenga siempre las empuñaduras limpias de grasa y aceite.
- ADVERTENCIA:** Muchos accidentes son causados por herramientas eléctricas que carecen de un mantenimiento adecuado.
- Desenchufe la herramienta.** Desconecte la herramienta eléctrica antes de instalar accesorios (brocas, fresas, disco de corte) o realizar cualquier tarea de mantenimiento.
- ADVERTENCIA:** Utilice sólo accesorios y piezas recomendadas por el fabricante.
- Retire todas las llaves de ajuste.** Retire siempre todas las llaves de ajuste antes de encender y utilizar la herramienta.
 - Encendido accidental.** Asegúrese de que el interruptor esté en la posición de apagado antes de enchufar la herramienta.
- ADVERTENCIA:** El encendido accidental puede causar lesiones graves.
- Cables de extensión para exteriores.** Cuando utilice una herramienta eléctrica en el exterior, use un cable de extensión adecuado para uso en exteriores. La utilización de un cable adecuado para exteriores reduce el riesgo de descargas eléctricas.
 - Manténgase alerta.**
Fíjese en lo que está haciendo y use el sentido común cuando esté utilizando una herramienta eléctrica.
No use herramientas eléctricas si se encuentra cansado o bajo la influencia de drogas, alcohol o medicamentos.

ADVERTENCIA: Un momento de distracción mientras esté utilizando una herramienta eléctrica puede provocar lesiones graves.

20. Piezas en mal estado.

Compruebe que su herramienta funcione correctamente antes de utilizarla.

Revise que no haya piezas en movimiento mal alineadas, trabadas, piezas rotas o cualquier otra condición que pueda afectar el funcionamiento de la herramienta eléctrica.

Algunas de las piezas (ej. protector) deben ser reparadas solamente por un servicio técnico autorizado.

Los enchufes dañados deben repararse únicamente por un servicio técnico autorizado.

ADVERTENCIA: No utilice la herramienta si el botón de encendido/apagado no funciona correctamente. Repárelo en un servicio técnico autorizado.

21. Reparación de su herramienta. Lleve siempre su herramienta eléctrica a un servicio técnico cualificado. No seguir estas instrucciones podría provocar lesiones graves e invalidar la garantía.

ADVERTENCIA: Utilice únicamente piezas de recambio idénticas.

ADVERTENCIA: Si el cable de alimentación está dañado, deberá repararlo en un servicio técnico autorizado.

22. El enchufe de la herramienta eléctrica debe coincidir con la toma de corriente. No modifique nunca el enchufe de ninguna manera. No utilice ningún enchufe adaptador con herramientas eléctricas con tomas a tierra. Los enchufes no modificados y las tomas de corriente adecuadas reducirán el riesgo de descargas eléctricas.

23. Si es inevitable trabajar con una herramienta eléctrica en lugares húmedos, use un suministro protegido por un interruptor diferencial o disyuntor por corriente diferencial o residual (RCD). El uso de un RCD reduce el riesgo de descargas eléctricas.

ADVERTENCIA: Cuando utilice esta herramienta en Australia o Nueva Zelanda, se recomienda conectar esta herramienta a tomas de corriente protegida con dispositivo de protección de corriente diferencial residual de 30 mA o inferior.

ADVERTENCIA: Antes de conectar esta herramienta a la red eléctrica, asegúrese de que la tensión eléctrica sea la misma que el especificada en la placa de datos indicada en esta herramienta. No conecte esta herramienta a una fuente con una tensión inadecuada, podría dañar gravemente la herramienta y al usuario. En caso de duda, no conecte la herramienta a la red eléctrica. Utilizar una fuente con un voltaje inferior al valor nominal indicado en la placa de datos puede dañar el motor.

Enchufes polarizados (sólo para enchufes en América del norte). Esta herramienta está equipada con un enchufe polarizado para evitar el riesgo de descarga eléctrica (uno de los conectores es más ancho que el otro). Este tipo de enchufe sólo puede encajar en una posición concreta. Si nota que el enchufe no encaja en la toma, dele la vuelta. Si sigue sin poder enchufarlo correctamente, contacte con un electricista cualificado. No intente cambiar el enchufe de ninguna manera.

Instrucciones de seguridad para mesas de fresado

ADVERTENCIA: Lleve SIEMPRE protección adecuada cuando utilice esta herramienta, incluido:

- Protección auditiva para evitar lesiones auditivas.

- Protección respiratoria para reducir el riesgo de inhalación de polvo

- Guantes de protección resistente a los cortes. Este tipo de guantes deben utilizarse al manipular fresas y accesorios con filos de corte afilados. Nunca utilice guantes de tela holgados con esta herramienta.

- Protección ocular para evitar daños oculares producidos por partículas proyectadas.

Todas las personas que estén alrededor de la zona de trabajo también deben llevar equipo de protección personal. Estas personas deben mantenerse a una distancia de seguridad.

ADVERTENCIA: Conecte SIEMPRE la salida de extacción de polvo del protector de la fresa a un sistema de extracción de polvo/ aspiradora. Algunos tipos de maderas pueden ser tóxicas, el polvo y el aserrín pueden causar reacciones alérgicas en personas y animales. Lleve SIEMPRE mascar respiratoria y utilice un sistema de extracción de polvo.

a) **NUNCA** corte piezas de trabajo inferiores a 300 mm (12") sin utilizar un empujador o plantilla. Se recomienda fresar primero piezas de trabajo más grandes y después córtalas a la medida requerida.

b) **NUNCA** se coloque debajo de la mesa de fresado cuando la fresadora esté conectada a la red eléctrica.

c) **Apoye SIEMPRE las piezas de trabajo de gran tamaño en la parte posterior o lateral de la mesa de fresado. Utilice soportes con rodillos Triton siempre que sea posible.**

d) **Mantenga las manos alejadas de la fresa y la zona de corte.** Nunca coloque las manos cerca de la fresa. Aleje sus manos realizando un movimiento en arco cuando comiencen a acercarse a la fresa. Nunca coloque sus dedos detrás de la pieza de trabajo. Nocoloque sus manos en posiciones extrañas. Utilice empujadores siempre que sea necesario.

e) **NUNCA** corte piezas de trabajo inferiores a 300 mm (12") sin utilizar un empujador o plantilla. Se recomienda fresar primero piezas de trabajo más grandes y después córtalas a la medida requerida.

f) **Tenga en cuenta todos los posibles RIESGOS antes de utilizar empujadores, plantillas de corte y otros elementos de seguridad.** Estos elementos etan diseñados para proteger al usuario al realizar un corte. En algunas ocasiones estos elementos pueden ser peligrosos y provocar lesiones graves al usuario (ej. Si salen despedidos bruscamente al entrar en contacto con la fresa).

g) **Apoye SIEMPRE las piezas de trabajo de gran tamaño en la parte posterior o lateral de la mesa de fresado. Utilice soportes con rodillos siempre que sea posible.**

h) **Utilice SIEMPRE los mecanismos de protección, guías de corte, plantillas verticales y horizontales para guiar la pieza de trabajo durante el corte y evitar que se produzca el contragolpe, especialmente al cortar piezas de trabajo estrechas. Las guías de corte verticales montadas sobre una guía de corte le ayudarán a controlar la pieza de trabajo con mayor seguridad durante el corte.**

i) **Retire SIEMPRE todos los objetos que estén sueltos o alojados antes de utilizar esta herramienta. Las vibraciones pueden hacer que los objetos o piezas se muevan y entren en contacto con la fresa.**

j) **NUNCA** intente retirar el polvo o los desechos de madera alrededor de la fresa mientras esté funcionando. *Apague SIEMPRE la fresadora, desconéctala de la red eléctrica y deje que la fresa se detenga completamente antes limpiar los restos de polvo o madera. Utilice SIEMPRE guantes de protección resistente a los cortes para limpiar el polvo incrustado en la fresa.*

k) **Inspecciones SIEMPRE la pieza de trabajo en busca de clavos, grapas y otros objetos metálicos ocultos.** Si la fresa entra en contacto con uno de estos objetos podría romperlo y proyectarlo a gran velocidad hacia el usuario, provocar lesiones graves e incluso un contragolpe.

l) **SIEMPRE que sea posible, intente realizar el corte sin que la fresa sobresalga de la pieza de trabajo. Mantener la fresa por debajo de la pieza de trabajo le ofrecerá una protección adicional.**

m) **La fresa debe sobresalir lo menos posible sobre la superficie de la mesa de fresado. Mantenga siempre la mayor parte de la longitud de la fresapor debajo de la mesa de fresado.**

n) **Compruebe SIEMPRE la instalación de una nueva fresa girando el husillo con la mano. Desenchufe siempre la fresadora antes de comprobar el montaje de la fresa. Asegúrese de que la fresa disponga del espacio adecuado entre la placa de guía, la guía de corte y el protector antes de encender la herramienta.**

o) **Utilice SIEMPRE placas de guía con espacio suficiente para que la fresa pueda trabajar de forma adecuada.**

p) **Utilice SIEMPRE el protector de la fresa. Ajuste el protector para cubrir la fresa lo más cerca posible de la pieza de trabajo. Esto evitará que pueda entrar en contacto con la fresa además de mejorar la extracción de polvo.**

q) **LIMITE siempre la profundidad de corte, nunca retire demasiado material en una sola pasada. Para mayor seguridad, realice siempre varias pasadas.**

r) **ASEGÚRESE de ajustar la velocidad de la fresa adecuadamente según el diámetro de la fresa y el tipo de material. Utilice la función de ajuste de velocidad de la fresadora.**

s) **Introduzca siempre la pieza de trabajo en dirección opuesta al sentido de rotación de la fresa. La mesa de fresado dispone de flechas donde se indica el sentido de rotación de la fresa y la dirección correcta de la pieza de trabajo.**

t) **Utilice SIEMPRE la guía de corte cuando use fresas piloto o sin rodamientos. Apoye la pieza de trabajo firmemente contra la guía de corte. Nunca retire los protectores retráctiles de la guía. Utilice SIEMPRE una fresa piloto o fresa con rodamientos cuando trabaje en modo libre.**

Información adicional

- Utilice solamente fresas en buen estado compatibles con este producto y diseñadas para utilizarse de modo manual (marcadas con el término MAN según la directiva EN 847-1).

- Introduzca siempre la pieza de trabajo en sentido opuesto a la dirección de rotación de la fresa, de lo contrario la pieza de trabajo saldrá despedida violentamente hacia el usuario.

- Nunca intente afilar una fresa a no ser que esté previamente especificado en las instrucciones del fabricante. La mayoría de fresas no pueden volver a afilarse y deben reemplazarse cuando estén desgastadas.

- Coloque siempre la guía de corte y evite los espacios vacíos, de lo contrario podría perder el control de la pieza de trabajo y salir despedida violentamente hacia el usuario.

- Asegúrese de utilizar los insertos de mesa adecuados dependiendo del diámetro de la fresa que está utilizando.

- Instale y ajuste completamente todos los elementos de fijación de la mesa de fresado antes de utilizarla.

- Asegúres de que la fresadora esté desconectada de la toma de corriente antes de realizar ajustes o sustituir accesorios.

- NUNCA** enchufe la fresadora directamente en una toma de corriente d ela pared. Enchufe la fresadora siempre a la toma de corriente de la mesa de fresado para poder detenerla rápidamente en caso de emergencia.

- Coloque siempre esta herramienta sobre una superficie plana y segura. Utilice el soporte lateral y de salida para apoyar piezas de trabajo de gran tamaño. Las piezas de trabajo de gran tamaño pueden caerse fácilmente encima del usuario.

- Las fresas pueden vibrar excesivamente y aflojarse. Compruebe regularmente que la fresa esté sujeta firmemente y apriétela si es necesario.

- Nunca encienda la herramienta cuando la fresa esté en contacto con la pieza de trabajo, podría perder el control y causarle lesiones.

- Esta mesa para fresadora ha sido diseñada para cortar piezas de trabajo planas, rectas y cuadradas. Nunca corte piezas de trabajo irregulares o deformadas. Asegúrese de que el material sea adecuado antes de comenzar a cortar, de lo contrario podría perder el control de la pieza de trabajo y causarle lesiones.

ADVERTENCIA: Las herramientas con falta de mantenimiento pueden provocar accidentes. Utilice solamente fresas afiladas. Realice el mantenimiento siguiendo las instrucciones indicadas por el fabricante.

Nota: Solicite ayuda profesional cuando necesite realizar un corte con el cual no esté familiarizado. DETENGA inmediatamente la herramienta cuando experimente algún problema o dificultad durante el corte.

Características del producto

- Ranura en T de la plantilla horizontal
- Espaciador de la guía
- Tornillo para nivelar la mesa
- Microajustador de la guía
- Plantilla vertical
- Perilla del protector
- Salida de extracción de polvo
- Guía
- Perilla de la guía
- Escala de la mesa
- Tornillo para nivelar la mesa
- Orificios para los dedos
- Perilla de ajuste de la plantilla
- Cara de la guía
- Soportes para los rodillos y carriles
- Orificio para la manivela de ajuste
- Protector
- Indicador de avance del material
- Plantilla horizontal
- Ranura en T de la plantilla
- Perilla de ajuste de la plantilla
- Tornillo para nivelar la mesa
- Perilla de ajuste de la cara de la guía
- Microajustador
- Ranura de la guía
- Perilla de microajuste de la guía
- Indicador de la escala de la mesa

Aplicaciones

Mesa para fresadora compatible con los modelos de fresadoras Triton y el Workcentre TWX7. Esta herramienta está indicada para utilizarse con guía de corte y en modo manual. Ideal para realizar cortes a testa, mortajar, etc.

Desembalaje

- Desembale e inspeccione la herramienta con cuidado. Familiarícese con todas las características y funciones.
- Asegúrese de que el embalaje contiene todas las partes y que están en buenas condiciones. Si faltan piezas o están dañadas, sustitúyalas antes de utilizar esta herramienta.

IMPORTANTE: Lea este manual de instrucciones junto a los manuales de su fresadora y Workcentre Triton.

Video tutorial disponible en www.tritontools.com

Antes de usar

ADVERTENCIA: Desconecte siempre la herramienta de la toma eléctrica antes de realizar cualquier tarea de mantenimiento, sustituir accesorios o cuando no la esté utilizando.

Instalación y desmontaje de la mesa de fresado

Lea atentamente las instrucciones referentes a la "Instalación y desmontaje de accesorios" indicadas en el manual del Workcentre TWX7.

ADVERTENCIA: Baje la altura de la fresa a una posición segura antes de instalar la mesa de fresado.

ADVERTENCIA: Algunos accesorios pueden ser muy pesados. Utilice SIEMPRE los orificios para los dedos cuando monte o desmonte un accesorio.

ADVERTENCIA: Algunos accesorios pueden ser muy pesados, especialmente los accesorios con herramientas eléctricas. Sujete SIEMPRE los accesorios con ambas manos y colóquese en una posición adecuada antes de retirar o instalar cualquier accesorio.

ADVERTENCIA: Nunca coloque las manos/dedos entre el accesorio y el bastidor del Workcentre Véase Fig. L

Desmontaje: Desbloquee los cierres del accesorio (Fig. M). Utilice los dos orificios para los dedos (I2) para inclinar la mesa de fresado a 45°. A continuación, deslicela y retirela.

Montaje: Utilice los soportes para los rodillos y carriles (I5) como referencia para acoplar la mesa de fresado. Utilice los orificios para los dedos para nivelar la mesa de fresado. A continuación, utilice los cierres para fijar el accesorio.

Nota: Los accesorios pueden colocarse verticalmente inclinándolos a 120°. Utilice esta posición para realizar ajustes por debajo de la mesa (ej. para ajustar y retirar herramientas eléctricas)

Montaje de la mesa de fresado

- Utilice las imágenes mostradas (A – K) como referencia para montar la mesa de fresado. El paso B requiere información adicional mostrada más abajo.

Nota: P1 – 6 en la Fig. A se refiere al pasador de inicio y está indicado solo para trabajos manuales sin guía de corte.

Montaje de la fresadora Triton en la placa de montaje

- La placa de montaje situada en la parte inferior de la mesa está especialmente diseñada para utilizarse con las fresadoras Triton (JOF001, MOF001 y TRA001).

ADVERTENCIA: Retire el muelle de la fresadora para utilizarla sobre la mesa de fresado. Lea antes las instrucciones de su fresadora. Guarde el muelle en un lugar seguro para poder instalarlo de nuevo una vez haya acabado todo el proceso.

- Afloje los tornillos y retire el protector de plástico de la base de la fresadora. Guarde los tornillos y el protector en un lugar seguro.
- Retire el muelle de la fresadora para utilizarla sobre la mesa de fresado. Lea antes las instrucciones de su fresadora. Guarde el muelle en un lugar seguro para poder instalarlo de nuevo una vez haya acabado todo el proceso.
- Asegúrese de que la base de la fresadora esté completamente limpia y nivelada con la placa de montaje.
- Afloje las dos perillas de montaje de la fresadora hasta que estén situadas aproximadamente a 10 mm por encima de la base al bajar la fresadora.
- Presione las perillas de montaje hacia abajo hasta que las cabezas de los pernos encajen en los agujeros. A continuación, gire la fresadora en sentido antihorario hasta que las perillas queden alineadas con los orificios triangulares (Fig. B).
- Apriete las perillas firmemente.
- Asegúrese de que el interruptor de encendido de la fresadora esté apagado. Enchufe la fresadora en la toma de corriente del Workcentre. Nunca enchufe la fresadora directamente a la toma de corriente de la pared.

Nota: Los modelos TRA001 más antiguos no disponen de ajuste de altura mediante manivela.

Nivelado de la placa de guía

- Utilice la llave hexagonal suministrada para ajustar los tornillos y nivelar la placa de guía con la mesa de fresado (Fig. N).
- Coloque los tres tornillos de la placa de guía (P8) para fijarla en la posición requerida.
- Compruebe que la placa de guía esté completamente a l mismo nivel que la mesa de fresado.

IMPORTANTE: Utilice siempre una placa de guía adecuada para el tamaño de fresa que esté utilizando.

Nivelado de la mesa de fresado

- Para obtener un acabado de calidad y garantizar la seguridad del usuario, los accesorios instalados deberán estar nivelados con el bastidor del Workcentre. Todos los accesorios compatibles disponen de 7 tornillos para nivelar la mesa (11).

- Coloque el accesorio sobre el bastidor del Workcentre y bloquee los cierres de la mesa.
- Apriete los tres tornillos para nivelar el bastidor. Compruebe que no exista movimiento entre el accesorio y el bastidor del Workcentre.
- Coloque un borde recto sobre la esquina a través de los tornillos de nivelado y compruebe que no hayan espacios.
- Ajuste los tornillos de nivelado de la mesa. Utilice una llave hexagonal para ajustar los tornillos hasta que ambas esquinas estén al mismo

nivel que el bastidor del Workcentre.

- Repita el mismo procedimiento en los tres bordes restantes y ajuste también el tornillo nivelador situado en el centro de la mesa de fresado.
- Coloque un borde recto sobre todas las esquinas de la mesa para comprobar que esté completamente nivelada con el bastidor del Workcentre. Realice ajustes precisos si es necesario y vuelva a comprobar que esté nivelada.

Salida de extracción de polvo

ADVERTENCIA: Utilice SIEMPRE un aspirador o sistema de extracción de polvo cuando trabaje con esta herramienta.

ADVERTENCIA: Algunos materiales pueden contener sustancias tóxicas, especialmente maderas pintadas o barnizadas. Recicle siempre el polvo tóxico según la regulación vigente.

- Puede usar una aspiradora doméstica para la extracción de polvo. Para más capacidad puede utilizar el colector de polvo Triton (DCA300) junto con su aspiradora.
- Conectar la fresadora y la aspiradora conjuntamente a la misma toma eléctrica podría exceder la potencia nominal de su red eléctrica. Asegúrese de conectar ambas herramientas a tomas diferentes y encenderlas por separado.

Funcionamiento

ADVERTENCIA: Lleve siempre protección adecuada cuando utilice esta herramienta, incluido protección ocular, protección auditiva y cuantes de protección. Lleve mascarilla respiratoria cuando esté expuesto al humo o el polvo.

IMPORTANTE: La superficie de la mesa de fresado dispone de una marca que indica el sentido correcto de avance de la pieza de trabajo.

ADVERTENCIA: Tenga precaución para evitar que la mesa se pueda volcar cuando utilice piezas de trabajo de gran tamaño.

Nota: Lea atentamente el manual de instrucciones del Workcentre TWX7 para identificar las partes mencionadas en este manual.

Caja del interruptor del Workcentre

IMPORTANTE: La caja del interruptor del Workcentre requiere alimentación eléctrica para funcionar. En caso de interrupción de suministro eléctrico, la herramienta no volverá a encenderse automáticamente, en este caso deberá volver a colocar el interruptor en la posición de encendido "ON".

Encendido y apagado

Nota: Consulte el manual de instrucciones de su fresadora para más información.

- El interruptor de encendido/apagado (ON/OFF) está situado en la parte frontal de la herramienta.
 - Enchufe el Workcentre a la toma eléctrica de la pared.
 - Coloque el interruptor de encendido del Workcentre en la posición de apagado "0".
 - Encienda la herramienta eléctrica colocando el interruptor de encendido en la posición "I".
 - Coloque el interruptor de encendido del Workcentre en la posición de encendido "I".
- Utilice el botón de parada de seguridad para detener la herramienta en caso de emergencia.

Dirección de avance del material y posición del usuario

- El usuario deberá colocarse en la parte frontal donde está situado el interruptor de encendido/apagado.
- Colóquese SIEMPRE cerca del botón de parada de seguridad para poder accionarlo en caso de emergencia.
- Avance la pieza de trabajo siguiendo las flechas indicadas en la superficie de la mesa.

Montaje y desmontaje de una fresa

ADVERTENCIA: Nunca utilice fresas con diámetro superior a 50 mm en este accesorio.

- Apague la fresadora y desenchúfela de la toma de corriente.
- Coloque la manivela de ajuste a través de la mesa de fresado para subir o bajar la pinza de apriete y la fresa.
- Utilice la llave de ajuste de la pinza de apriete para retirar y sustituir la fresa.
- Ajuste la altura de la fresa en la posición requerida mediante la manivela de ajuste.
- Coloque el interruptor de encendido del Workcentre en la posición de encendido.

IMPORTANTE: Nunca utilice la manivela de ajuste cuando la fresadora esté encendida.

IMPORTANTE: Lea el manual de instrucciones de su fresadora para averiguar los tipos de fresas compatibles.

Uso del protector

- Utilice el protector (17) siempre que sea posible. Asegúrese de colocar el protector a la altura correcta para garantizar la máxima protección.

Uso de los microajustadores de la guía

- Coloque y ajuste los tornillos moleteados en los microajustadores de la guía (4).
- Apriete los microajustadores y colóquelos contra la parte posterior de la guía. Ajuste las perillas hasta obtener la cantidad de rebaje necesaria. Un giro completo equivale a 1 mm.
- Afloje la guía y colóquela contra los microajustadores. A continuación, vuelva a fijarla en la posición requerida.

Uso de la guía de corte

- Las caras de la guía de corte (14) deben estar colocadas lo más cerca posible de la fresa. Ajustelas deslizándolas hacia delante y hacia atrás. Asegúrese de que estén ajustadas firmemente.

Uso de plantillas

IMPORTANTE: Las plantillas horizontales y verticales nunca deben sobreponerse durante el uso. Necesitará dejar un espacio de 10 mm, véase Fig. 0.

Las plantilla vertical (5) y horizontal (19) sirven para presionar ligeramente y guiar la pieza de trabajo durante el corte.

- Cada plantilla dispone de un pasador de plástico (Fig. 0) para visualizar la línea de corte. Ajuste ambas plantillas hasta que el pasador más corto esté en contacto con la pieza de trabajo y los pasadores más largos sujeten la pieza de trabajo de forma correcta.
- La altura de la fresa nunca debe superar la altura de la plantilla horizontal. Las plantillas horizontales pueden apilarse para utilizarse con fresas de mayor longitud y piezas de trabajo más gruesas. Las plantillas TWX7FB están disponibles como accesorio opcional.

Modo apilado	1 unidad	2 unidades	3 unidades	4 unidades
Alto	9,5 mm	15 mm	44 mm	50 mm

Uso de los espaciadores

Los cortes tipo desbaste/cepillado deben realizarse con la fresa colocada detrás de las caras de la guía (14) (Fig. R y S).

ADVERTENCIA: Nunca intente realizar este tipo de cortes con la pieza de trabajo colocada entre la fresa y la guía del lado derecho. La fresa podría doblarse provocando la pérdida de control de la pieza de trabajo.

Desbastado utilizando la guía de corte de la fresadora

- Los cortes de desbaste de 0,5 mm, 1 mm, 1,5 mm y 2 mm deberán realizarse utilizando los espaciadores de la guía (2).

Método 1

- Asegúrese de que las caras de la guía estén colocadas cerca de la fresa.
- Utilice un listón de madera recto para alinear la fresa con la parte posterior de la cara de la guía.
- Coloque el muelle de la cara de la guía izquierda alejada de la guía e introduzca los dos espaciadores en los espacios creados (marcados en el espaciador).

Método 2

- Asegúrese de que las caras de la guía estén colocadas cerca de la fresa.
- Coloque los microajustadores (24) en el centro y asegúrese de que estén alineados con las marcas.
- Utilice un listón de madera recto para alinear la fresa con la parte posterior de la cara de la guía. Coloque los microajustadores contra la guía. Apriete la guía.
- Ajuste la profundidad de corte. Gire ambos microajustadores en sentido horario. Afloje la guía y colóquela contra los microajustadores.
- Coloque el muelle de la cara de la guía izquierda alejada de la guía e introduzca los dos espaciadores en los espacios creados (marcados

en el espaciador). Comience el corte.

Montaje del pasador de inicio

- El pasador de inicio puede montarse sobre la mesa de fresado para realizar cortes manuales sin guía. Utilice la configuración mostrada en la Fig. P cuando desee utilizar el pasador de inicio.
- Asegúrese de que el protector esté ajustado a la altura correcta para garantizar la máxima seguridad al usuario (Fig. T).
- Durante el uso, el pasador de inicio deberá entrar en contacto con la pieza de trabajo en ángulo antes de que esta alcance la fresa.

Accesorios

- Existen gran variedad de accesorios compatibles para esta herramienta disponibles en su distribuidor Triton más cercano o a través de www.toolsaresonline.com.

Modelo Triton	Accesorio
TWX7P	Transportador de ángulos
TWX7FB	Juego de plantillas de sujeción

Mantenimiento

ADVERTENCIA: Desconecte siempre la herramienta de la toma de corriente antes de cambiar o sustituir cualquier accesorio, instalar una herramienta o realizar cualquier ajuste.

Inspección general

- Compruebe regularmente que todos los tornillos y elementos de fijación estén bien apretados. Con el paso del tiempo pueden vibrar y aflojarse. No utilice la mesa de fresado si existe alguna pieza o accesorio dañado.
- Inspeccione el cable de alimentación antes de utilizar esta herramienta y asegúrese de que no esté dañado. Las reparaciones deben realizarse por un servicio técnico Triton autorizado.

Limpieza

- Mantenga la herramienta siempre limpia. La suciedad y el polvo pueden dañar y reducir la vida útil su herramienta. Utilice un cepillo suave o un paño seco para limpiar la herramienta. Si dispone de un compresor de aire comprimido, sople con aire seco y limpio para limpiar los orificios de ventilación.
- Limpie la carcasa de la herramienta con un paño húmedo y detergente suave. Nunca utilice alcohol, combustible o productos de limpieza.
- Nunca utilice agentes cáusticos para limpiar las piezas de plástico.

Lubricación

- Aplique regularmente spray lubricante en las piezas móviles.

Almacenaje

- Guarde esta herramienta y accesorios en un lugar seco y seguro fuera del alcance de los niños.

Reciclaje

Deshágase siempre de las herramientas eléctricas adecuadamente respetando las normas de reciclaje indicadas en su país.

- No deseche las herramientas y aparatos eléctricos junto con la basura convencional. Reciclelos siempre en puntos de reciclaje.
- Póngase en contacto con la autoridad local encargada de la gestión de residuos para obtener más información sobre cómo reciclar este tipo de herramientas correctamente.

Solución de problemas

Problema	Causa	Solución
La herramienta no se enciende	Falta de alimentación eléctrica	Compruebe el suministro eléctrico
	La fresadora está apagada	Encienda la fresadora
La mesa de fresado no está nivelada	Tornillos de nivelado mal ajustados	Véase la sección "Nivelado de la mesa de fresado"
	Superficie irregular	Asegúrese de que el Workcentre esté colocado sobre una superficie plana y segura. Nunca coloque la herramienta sobre superficies irregulares.
Ruido anormal	Compruebe que la fresa esté correctamente ajustada	Apriete la pinza de apriete de la fresadora
	Elementos de fijación aflojados	Apriete los elementos de fijación
	La fresadora no está lo suficientemente ajustada en la placa de montaje	Apriete todos los elementos de fijación
Gran cantidad de polvo/virutas durante el uso	Compruebe que la bolsa de la aspiradora no esté llena	Vacíe la bolsa/recipiente
	Compruebe que el sistema de extracción de polvo esté encendido	Enciéndalo
	Compruebe que el sistema de extracción de polvo esté conectado correctamente	Compruebe que el tubo de aspiración y los conectores estén colocados correctamente
Acabado de mala calidad	Asegúrese de que la fresa esté afilada	Sustituya la fresa si es necesario
	Compruebe que la velocidad de la fresadora sea adecuada	Ajuste la velocidad de la fresadora
	Corte demasiado profundo	Complete el corte realizando varias pasadas
Pieza de trabajo difícil de controlar	Pieza de trabajo mal colocada	Lea atentamente las instrucciones de seguridad indicadas en este manual y en el manual de su fresadora
	Guía de corte mal colocada	
	Dirección de avance incorrecta	
	Uso incorrecto de las plantillas	

Garantía

Para registrar su garantía, visite nuestra página Web en www.tritontools.com e introduzca sus datos personales. Estos datos serán incluidos en nuestra lista de direcciones (salvo indicación contraria) de manera que pueda recibir información sobre nuestras novedades. Sus datos no serán cedidos a terceros.

Recordatorio de compra

Fecha de compra: ___ / ___ / ____

Modelo: TWX7RT001 Conserve su recibo como prueba de compra.

Las herramientas Triton disponen de un periodo de garantía de 3 años una vez haya registrado el producto en un plazo de 30 días contados a partir de la fecha de compra. Si durante ese periodo apareciera algún defecto en el producto debido a la fabricación o materiales defectuosos, Triton se hará cargo de la reparación o sustitución del producto adquirido.

Esta garantía no se aplica al uso comercial por desgaste de uso normal, daños accidentales o por mal uso de esta herramienta.

* Registre el producto online en un plazo de 30 días contados a partir de la fecha de compra.

Se aplican los términos y condiciones.

Esto no afecta a sus derechos legales.

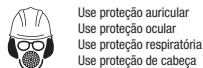
Introdução

Introdução

Obrigado por comprar esta ferramenta Triton. Este manual contém as informações necessárias para a operação segura e eficiente deste produto. Este produto apresenta recursos exclusivos, e mesmo que você esteja familiarizado com produtos similares, é necessário ler o manual cuidadosamente para garantir que as instruções sejam totalmente entendidas. Assegure-se de que todos os usuários desta ferramenta leiam e compreendam totalmente o manual.

Descrição dos símbolos

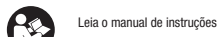
A placa de identificação de sua ferramenta poderá apresentar alguns símbolos. Estes indicam informações importantes sobre o produto, ou instruções sobre seu uso.



Use proteção auricular
Use proteção ocular
Use proteção respiratória
Use proteção de cabeça



Use proteção nas mãos



Leia o manual de instruções



Cuidado com os contragolpes!



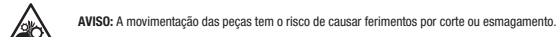
Aviso: Lâminas ou dentes afiados!



Apenas para uso interno!



NÃO use sob chuva ou em ambientes úmidos!



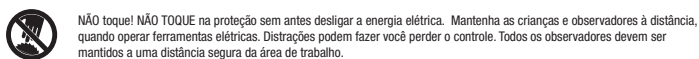
AVISO: A movimentação das peças tem o risco de causar ferimentos por corte ou esmagamento.



Cuidado!



Fumaça ou gases tóxicos!



NÃO toque! NÃO TOQUE na proteção sem antes desligar a energia elétrica. Mantenha as crianças e observadores à distância, quando operar ferramentas elétricas. Distrações podem fazer você perder o controle. Todos os observadores devem ser mantidos a uma distância segura da área de trabalho.



Desconecte sempre da tomada elétrica, quando for fazer ajustes, trocar acessórios, limpar, efetuar manutenção ou quando não estiver em uso!

Abreviações Técnicas

V	Volts
~, AC	Corrente alternada
A, mA	Ampere, miliampere
n_0	Velocidade sem carga
\varnothing	Diâmetro
°	Graus
λ	Comprimento de onda
Hz	Hertz
---, DC	Corrente contínua
W, kW	Watt, Quilowatt
/min or min ⁻¹	Operações por minuto
dB(A)	Nível sonoro em decibéis (ponderação A)
m/s ²	Metros por segundo ao quadrado (magnitude de vibração)

Especificação

Nº de peça:	TWX7RT001
Tupias compatíveis:	Triton TRA001 Triton MOF001 Triton JOF001
Tam. do módulo de tupia:	660 x 410mm
Tam. da mesa do centro de trabalho:	904 x 708mm
Tam. da guia extrudada:	680 x 85mm
Espessura da guia extrudada:	21,4mm
Tam. da face da guia de MDF:	340 x 75mm (x2)
Abertura máx. da face da guia de MDF:	90mm
Posição ajustável da guia:	+25/-125mm
Ajuste micrométrico da guia:	1mm (uma volta completa)
Ajustes da barra espaçadora:	0,5; 1,0; 1,5; 2,0mm
Altura da proteção:	0 a 76mm
Altura da pilha de pentes de segurança:	1 (9,5mm), 2 (15mm), 3 (44mm), 4 (50mm)
Diâmetro máximo da placa guia da fresa da tupia (Dmax):	Grande - 50mm Média - 40mm Pequena - 20mm
Encaixe do coletor de pó (Diâmetro):	31,75mm Alta pressão / 62,5mm Baixa pressão
Peso:	9,9kg

Segurança geral

AVISO! Quando se trabalha com ferramentas elétricas, devem ser tomadas precauções básicas de segurança para se reduzir o risco de incêndio, choques elétricos e ferimentos pessoais, incluindo as seguintes informações de segurança. Leia todas estas instruções antes de tentar operar este produto e guarde-as para uso posterior.

AVISO: Este equipamento não foi projetado para ser usado por pessoas (inclusive crianças) com capacidade física ou mental reduzida ou com falta de experiência ou conhecimento, exceto se estiverem sob supervisão ou houverem recebido instruções relativas ao uso do equipamento pela pessoa responsável por sua segurança. As crianças devem ser supervisionadas para garantir que não brinquem com o equipamento.

CUIDADO: Use a ferramenta elétrica, seus acessórios e outros elementos de acordo com estas instruções, considerando as condições de trabalho e o serviço a ser executado. O uso da ferramenta para operações diferentes daquelas para as quais foi projetada pode resultar em uma situação de risco

O termo "ferramenta elétrica", nos avisos, se refere a uma ferramenta que usa alimentação da rede elétrica (com cabo elétrico) ou uma bateria (sem cabo elétrico).

- 1 - **Mantenha o local de trabalho limpo** - Locais e bancadas desordenadas são um convite a ferimentos.
 - 2 - **Providencie um ambiente de trabalho adequado**
 - onde as ferramentas não fiquem expostas à chuva
 - onde as ferramentas não tenham contato com água ou umidade
 - que seja bem iluminado
 - onde as ferramentas não sejam usadas na presença de gases ou líquidos inflamáveis
 - 3 - **Proteja-se contra choques elétricos** - Evite contato do seu corpo com superfícies aterradas (por ex., canos, radiadores, fogões, refrigeradores).
 - 4 - **Mantenha outras pessoas afastadas do local** - Não deixe que outras pessoas, especialmente crianças, não envolvidas no trabalho, toquem a ferramenta ou o cabo de alimentação elétrica, e mantenha-as afastadas do local de trabalho.
 - 5 - **Guarde ferramentas que não estejam em uso** - Quando não estiverem sendo usadas, as ferramentas deverão ser guardadas em um local seco e trancado, longe do alcance de crianças.
 - 6 - **Não force a ferramenta** - Ela fará o trabalho de uma maneira melhor e mais segura, se usada da forma para a qual foi concebida.
 - 7 - **Use a ferramenta correta** - Não force ferramentas pequenas a fazerem o trabalho de uma ferramenta de serviço pesado. Não use as ferramentas para fins não pretendidos; por exemplo, não use serras circulares para cortar galhos ou toras de árvores.
 - 8 - **Vista-se de forma apropriada**
 - Não use roupas soltas ou joias, que podem ser agarradas por peças móveis.
 - Recomenda-se o uso de calçados de segurança adequados, quando trabalhar ao ar livre.
 - Use uma toca de proteção para prender cabelos longos.
 - 9 - **Use equipamento de proteção**
 - Use óculos de segurança
 - Use uma máscara contra poeira se o trabalho produzir poeira ou serragem.
- AVISO:** A não utilização de equipamentos de proteção ou de vestuário adequado poderá provocar ferimentos pessoais ou aumentar a gravidade dos ferimentos.
- 10 - **Use equipamento de coleta e extração de poeira ou serragem** - Se a ferramenta tem encaixe para equipamento de coleta e extração de serragem e poeira, assegure-se de utilizá-lo.
 - 11 - **Não abuse do cabo de alimentação** - Nunca sacuda ou puxe o cabo de energia para desconectá-lo da tomada. Mantenha o cabo de alimentação longe do calor, óleo e bordas afiadas. Cabos danificados ou emaranhados aumentam o risco de choque elétrico.
 - 12 - **Prenda a peça de trabalho** - Sempre que possível, use braçadeiras ou uma morsa para prender a peça de trabalho. É mais seguro do que usar sua mão.
 - 13 - **Não se estique demais** - Mantenha sempre o equilíbrio e os pés em local firme.
 - 14 - **Faça a manutenção cuidadosa das ferramentas**
 - Manter as ferramentas de corte afiadas e limpas, torna-as mais fáceis de controlar e reduz as chances de que travem na peça de trabalho.
 - Sigas as instruções de lubrificação e de substituição de acessórios.
 - Inspecione os cabos de energia da ferramenta, periodicamente, e, caso estejam danificados, providencie o reparo por uma oficina de assistência técnica autorizada.
 - Inspecione os cabos de extensão periodicamente e substitua-os, se estiverem danificados.
 - Mantenha as empunhaduras secas, limpas e livres de óleo e graxa.

AVISO: Muitos acidentes são causados por ferramentas mal conservadas.

- 15 - **Desconecte as ferramentas** - Quando não estiverem em uso e antes de efetuar a manutenção, ou quando for trocar acessórios, como lâminas brocas e facas, desconecte as ferramentas da alimentação elétrica.

AVISO: O uso de acessórios não recomendados pelo fabricante poderá resultar em risco de ferimentos.

- 16 - **Remova as chaves e ferramentas** - Crie o hábito de verificar se não ficou nenhuma ferramenta ou chave dentro da máquina, antes de ligá-la à alimentação elétrica.

- 17 - **Evite partidas não intencionais** - Assegure-se de que o interruptor está na posição "desligada", quando ligar a máquina na tomada de energia, quando estiver inserindo um conjunto de baterias ou quando for pegar ou transportar a máquina.

AVISO: A partida não intencional de uma ferramenta pode causar ferimentos graves.

18 - Use extensões próprias para uso externo - Quando a máquina for usada ao ar livre, use somente cabos de extensão próprios para uso externo, e que tenham esse tipo de indicação em seu corpo. A utilização de um cabo de extensão adequado para uso externo reduz o risco de choque elétrico.

19 - Fique alerta

- Preste atenção ao que está fazendo, use o bom senso e não opere a máquina quando estiver cansado.
- Não use ferramentas elétricas quando estiver sob influência de drogas, álcool ou medicamentos.

AVISO: Um momento de desatenção, quando se opera uma ferramenta elétrica, pode resultar em ferimentos pessoais graves.

20 - Verifique se existem peças danificadas

- Antes de usar a ferramenta, esta deverá ser cuidadosamente inspecionada para se garantir que funcionará corretamente e de acordo com sua finalidade pretendida.
- Verifique o alinhamento ou emperramento das peças móveis, se existem peças quebradas ou outras condições que possam afetar a operação da máquina.
- Uma proteção, ou peça, que esteja danificada deverá ser consertada de forma correta, ou substituída, em uma oficina de assistência técnica autorizada, a menos que o manual de instruções dê outra orientação.
- Interruptores defeituosos devem ser consertados em uma oficina de assistência técnica autorizada.

AVISO: Não use a máquina se o interruptor liga/desliga não estiver funcionando. Nesse caso, o interruptor precisará ser reparado, antes que a máquina volte a ser usada.

21 - A máquina deve ser reparada por uma pessoa qualificada - Esta ferramenta elétrica atende as normas de segurança aplicáveis. Os reparos só devem ser efetuados por pessoal qualificado pois, de outro modo, poderão surgir perigos consideráveis para o usuário.

AVISO: Quando trocar peças, use apenas peça originais idênticas.

AVISO: Se o cabo de força estiver danificado, deverá ser substituído pelo fabricante, ou por um centro de assistência técnica autorizado.

22 - O plugue de tomada do cabo de alimentação da máquina deve corresponder ao padrão da tomada de parede - Nunca modifique o plugue. Nunca use conectores adaptadores em ferramentas elétricas com fio terra (aterradas). Plugues sem modificações e tomadas corretas reduzem o risco de choques elétricos.

23 - Caso esteja usando uma ferramenta elétrica, use um disjuntor DR - O uso de um disjuntor DR reduz o risco de choques elétricos.
NOTA: O termo “Dispositivo de Corrente Residual” (Disjuntor DR, Disjuntor Diferencial, Disjuntor Diferencial Residual, ou, simplesmente, DR), poderá ser substituído pelo termo “ground fault circuit interrupter (GFCI)” (Disjuntor de Falha de Terra) ou “earth leakage circuit breaker (ELCB)” (Disjuntor de Fuga de Terra).

AVISO: *Quando usada na Austrália ou Nova Zelândia, recomenda-se que esta ferramenta seja SEMPRE alimentada através de um Dispositivo de Corrente Residual (DR), com corrente residual nominal de 30mA ou menos.*

Segurança da mesa de tupa

AVISO: Use SEMPRE equipamento de proteção individual;

- Proteção auditiva para reduzir as chances de perda auditiva induzida.
- Proteção respiratória para reduzir o risco de inalação de poeiras nocivas.
- Luvax à prova de cortes e sem fiapos para evitar possíveis ferimentos durante o manuseio das fresas e materiais ásperos que possuam bordas afiadas. Qualquer tipo de luva onde o tecido fique solto e que solte fios **NÃO DEVE** ser usado na operação da mesa de tupa.
- Óculos de proteção para evitar ferimentos oculares causados por partículas arremessadas.

Assegure-se de que todas as pessoas próximas à área de trabalho estejam usando o equipamento de proteção adequado. Mantenha os observadores a uma distância segura.

AVISO: Conecte SEMPRE o bocal de extração de pó, que fica na protetor de corte da tupa, a um sistema de aspiração de pó adequado. Certos tipos de madeira são tóxicos ou poderão provocar reações alérgicas em pessoas e animais, especialmente quando expostos a pós muito finos. Use SEMPRE a proteção respiratória adequada, além do sistema de extração de pó.

- instale APENAS as tupias de imersão identificadas como compatíveis na ‘Especificação’ da mesa de tupa. Instale apenas fresas de tupa adequadas à tupa em uso, que possuam hastes compatíveis com o mandril da tupa.**
- NUNCA toque no lado inferior da mesa de tupa, quando a tupa estiver ligada à tomada de energia elétrica.**
- Remova SEMPRE a mola e a placa de base plástica, antes de instalar a ferramenta na mesa de tupa. Isto permite uma troca mais fácil da fresa e o ajuste de altura do bobinador a partir do lado de cima da mesa.**
- Mantenha suas mãos longe da área de corte. NUNCA passe suas mãos diretamente sobre a, ou em frente da, fresa em movimento. Se uma de suas mãos se aproximar da fresa, mova-a para LONGE com um movimento de arco por cima da fresa em direção ao lado de saída da peça de trabalho. NUNCA esconda seus dedos atrás da peça de trabalho e não fique com as mãos em posições desajetadas. Use extensores e blocos sempre que necessário.**
- Não tente realizar tarefas em peças de trabalho com comprimento menor do que 300 mm (12”) sem utilizar estruturas ou jigas de fixação especiais. Recomenda-se fazer as peças de trabalho um pouco maiores e depois cortá-las até o tamanho acabado.**
- AVALIE os riscos, benefícios e alternativas, ANTES de usar extensores, blocos extensores e outros dispositivos de segurança. Em muitas aplicações o uso de tais dispositivos é útil e seguro, porém em outros casos pode ser perigoso. Os extensores podem ser arrancados da mão do operador quando entrarem em contato com a fresa em movimento, tendo o potencial de provocar ferimento.**
- Apoie SEMPRE as peças de trabalho grandes nos lados de entrada e saída da mesa roteadora e, quando necessário, também nas laterais. Use o extensor deslizante da Triton ou a Multi-bancada, sempre que possível.**
- Use SEMPRE proteções, guias, pentes de segurança verticais e horizontais, etc., para guiar a peça de trabalho e evitar contragolpes, especialmente quando estiver trabalhando com peças pequenas ou estreitas. Pentes de segurança presos à guia também ajudam a prevenir o levantamento não intencional da pela de trabalho.**
- Remova SEMPRE TODOS os objetos da mesa antes da operação. As vibrações poderão fazer com que objetos soltos se movam e entrem em contato com a ferramenta de corte.**
- NUNCA tente remover fragmentos de madeira ou serragem da ferramenta de corte com suas mãos, enquanto a fresa da tupa estiver girando. Desligue SEMPRE a tupa, desconecte-a da fonte de alimentação elétrica e aguarde até que a fresa pare de girar completamente. Use SEMPRE luvax à prova de corte quando for tocar a fresa, para evitar ferimentos.**
- Inspeccione SEMPRE a peça de trabalho em busca de pregos, grampos e outros objetos de metal ou corpos estranhos. Se a fresa atingir um prego escondido, poderá ser destruída, arremessar fragmentos em alta velocidade ou produzir contragolpes, todas situações que podem provocar ferimentos sérios.**
- SEMPRE que possível, use técnicas de "corte cego", onde a fresa da tupa não atravessa a peça de trabalho. Manter a ferramenta de corte na parte de baixo da peça de trabalho aumenta a segurança para o operador.**
- Exponha APENAS a menor parte possível da ferramenta de corte acima da superfície da mesa. Mantenha todas as partes não utilizadas da ferramenta de corte abaixo da superfície da mesa.**
- Teste SEMPRE todas as configurações e ajustes novos girando o fuso com a mão, com a máquina desconectada da fonte de alimentação elétrica. Assegure-se de que as distâncias entre a ferramenta de corte e a placa guia, a guia e a proteção estão corretas, antes de ligar a máquina**
- Use SEMPRE placas guia adequadas, que mantenham a folga ótima em torno da fresa de corte.**
- Use SEMPRE a proteção da ferramenta de corte da tupa LWAYS, e ajuste a proteção para cobrir a fresa o máximo possível, e para ficar o mais próxima possível da peça de trabalho. Isto não somente protege o operador da fresa giratória da máquina, mas também permite um extração eficaz do pó.**
- LIMITE a profundidade do corte; NUNCA remova material demais em um único passo. É mais seguro fazer vários passes com uma profundidade de corte menor, o que também produz um acabamento de superfície melhor na peça.**
- ASSEGURE-SE de ajustar a velocidade da ferramenta de corte de acordo com o diâmetro da mesma e com o material a ser cortado. Use o botão de seleção de velocidade que existe na tupa de imersão.**
- Alimente as peças de trabalho SEMPRE CONTRA o sentido de rotação da ferramenta de corte. Ambos, o sentido de alimentação o o sentido de rotação, são indicados por setas na superfície da mesa de tupa.**
- Use SEMPRE a guia, se for usar a ferramenta sem um rolete ou piloto. Apoie SEMPRE a peça de trabalho com firmeza contra a guia. NUNCA remova as proteções retráteis que existem na guia. Use SEMPRE uma ferramenta com rolete ou piloto, para fazer trabalhos à mão livre.**

Informações de segurança adicionais.

- Use APENAS ferramentas de corte de tupa em perfeitas condições de uso, compatíveis com a especificação da mesa de tupa e que sejam adequadas à alimentação manual da peça de trabalho (marcada com 'MAN', que indica operação manual, segundo a EN 847-1)
- A fresa ou broca não deve entrar na peça de trabalho no mesmo sentido em que a peça é alimentada na máquina, o que teria probabilidade de provocar o levantamento da peça e poderia provocar uma perda de controle durante a operação, fazendo com que a peça de trabalho fosse lançada para longe do operador de forma perigosa.
- Não tente reafiar ferramentas de corte a menos que esteja seguindo especificamente as instruções do fabricante e tendo o equipamento para fazer isso. A maioria das ferramentas de corte de tupa não podem ser afiadas e devem ser substituídas imediatamente caso fiquem cegas.
- Não crie "armadilhas" com guia provocadas por localização incorreta da guia. Essas armadilhas acontecem quando a guia é posicionada tão para trás que o lado dianteiro da peça fica atrás da ferramenta de corte. Isto é perigoso devido ao risco de levantamento da peça e à dificuldade de se manter a peça de trabalho encostada na guia.
- Assegure-se de que o anel de mesa correto está instalado, isto é aquele que possui o tamanho correto para o tamanho da ferramenta de corte instalada.
- Nunca use uma mesa de tupa antes de estar completamente montada e verifique sempre os parafusos após a reinstalação da máquina.
- Certifique-se de que a tupa não está conectada à alimentação elétrica durante a sua instalação na mesa, quando estiver fazendo ajustes ou trocando acessórios.

- NÃO** conecte a tupa em uma tomada de parede padrão. Ela deve ser conectada à caixa de conexões da mesa de tupa, de modo que possa ser desligada em situações de emergência.
- A mesa de tupa deve ser instalada em uma superfície sólida e nivelada e deve ser presa de modo que a mesa não tombe. O uso de suportes auxiliares de alimentação e saída é necessário para peças compridas ou largas. Peças longas sem o apoio adequado podem causar o tombamento da mesa na direção do operador, provocando ferimentos.
- Tupias produzem muita vibração, fazendo com que os parafusos de fixação se soltem. Verifique os parafusos de fixação frequentemente e reaperte-os, se necessário.
- Nunca ligue a máquina com a ferramenta de corte já engatada na peça de trabalho. Isto poderá provocar perda de controle e ferimentos.
- A mesa de tupa foi concebida para cortar apenas materiais planos, retos e de ângulos retos. Não corte materiais embalados, irregulares, fracos ou feitos de material inconsistente. Se necessário, certifique-se de que o material foi preparado corretamente, antes de iniciar o corte. Materiais incorretos poderão poderá provocar perda de controle e ferimentos.

AVISO: Ferramentas com falta de manutenção podem provocar situações de perda de controle. Use APENAS ferramentas de corte de tupa que estejam afiadas e instaladas em uma superfície corretamente e que tenham recebido a manutenção correta, de acordo com as instruções do fabricante.

Nota: Procure por treinamentos profissionais e assistência antes de tentar trabalhos que exijam procedimentos com os quais você não está familiarizado(a). PARE de usar a mesa de tupa, se, em algum momento durante a operação, encontrar dificuldades ou ficar em dúvida com relação ao procedimento seguro.

Familiarização com o produto

- Fenda em T do pente de segurança horizontal
- Espaçador da face da guia
- Parafuso de nivelamento do módulo
- Ajuste micrométrico da guia
- Pente de segurança vertical
- Parafuso da proteção
- Conector de extração
- Guia paralela
- Parafuso da guia
- Régua da mesa
- Parafuso de nivelamento do módulo
- Orifício para os dedos
- Parafuso do ajustador do pente de segurança
- Face da guia
- Roletes e trilhos de instalação do módulo
- Fenda do bobinador de altura da ferramenta de corte
- Protetor
- Indicador de direção
- Pente de segurança horizontal
- Parafuso da fenda em T do pente de segurança
- Parafuso do ajustador do pente de segurança
- Parafuso bobina de nivelamento do módulo
- Parafuso de ajuste da face da guia
- Ajuste micrométrico
- Fenda da guia
- Parafuso de ajuste micrométrico da guia
- Indicador da régua da mesa

Uso Pretendido

Uma mesa de tupa eficiente que permite o desbaste de bordas, corte de sulcos, corte cruzado de sulcos, aplainamento, perfilamento de bordas (com guia e à mão livre), acabamento por lixamento, usando uma guia modelo, e rebaxamentos. Para uso com o Centro de Trabalho Triton TWX7 e com as tupias Triton.

Desembalagem da sua ferramenta

- Desembale e inspecione cuidadosamente sua nova ferramenta. Familiarize-se com todos os seus recursos e funções.
- Certifique-se de que todas as peças do produto estão presentes e em bom estado. Caso estejam faltando peças ou existam peças danificadas, substitua-as primeiro, antes de tentar usar a ferramenta.

IMPORTANTE: Leia estas instruções juntamente com as instruções fornecidas com sua tupa Triton e com o Centro de Trabalho da Triton.

Para ver um vídeo com instruções, acesse:www.tritontools.com

Antes do uso

AVISO: Garanta SEMPRE que a tupa está desligada e desconectada da fonte de alimentação elétrica antes de instalar ou remover qualquer acessório, instalar ou remover módulos ou realizar quaisquer ajustes.

Instalação e remoção do módulo de tupa

Consulte ‘Instalação e remoção de módulos’ no manual principal do Centro de Trabalho TWX7 para obter todas as orientações.

AVISO: Abaixe a ferramenta de corte da tupa até uma altura segura antes de instalar ou remover o módulo de mesa de tupa.

AVISO: Alguns módulos são pesados, especialmente com as ferramentas elétricas instaladas. Segure os módulos SEMPRE com ambas as mãos, mantenha os pés firmes, fique ereto e evite movimentos desastrados quando estiver instalando ou removendo módulos.

IMPORTANTE: Abaixe sempre os módulos com cuidado usando ambos os orifícios para dedos. O abaixamento descontrolado poderá danificar o Centro de Trabalho, módulo ou a ferramenta elétrica, bem como causar ferimentos no operador.

AVISO: Não coloque dedos e/ou partes de seu corpo entre o módulo e a estrutura do Centro de Trabalho. Veja a fig. L

Para remover: Gire as travas do módulo para a posição destravada (ver fig. M). Use ambos os orifícios para dedos (12) para inclinar o módulo a 45° e, então, deslize e levante

Para inserir: Localize os roletes de instalação do módulo nos trilhos de instalação do módulo (15) com um ponto articulação e, então, desça o módulo. Use os orifícios para dedos para abaixar até uma posição nivelada e, então, trave o módulo novamente.

Nota: Os módulos podem ser colocados na vertical ajustando-os em um ângulo de 120°. Esta posição pode ser usada, quando são necessários ajustes no lado inferior dos módulos, por ex. ajustes nas ferramentas elétricas instaladas, sem a necessidade de se remover o módulo.

Instalação do módulo de mesa de tupa

- Use as figuras de A a K como auxílio na instalação do módulo de mesa de tupa. O passo B necessita das informações adicionais abaixo.

Nota: P1-6 na fig.A é o pino de início na operação à mão livre e só exige ajustes nas operações à mão livre.

Instalação de uma tupa Triton na placa de instalação da tupa.

- A placa de instalação fica no lado inferior da mesa e foi concebido para instalação direta de qualquer uma das três tupias Triton (JOF001, MOFO01 e TRAO01)

AVISO: Remova a mola de imersão para configurar a tupa para a operação em mesa. Consulte o manual original da tupa para obter este procedimento. Guarde a mola com cuidado pois será necessário reinstalá-la quando a tupa for removida do módulo da mesa de tupa.

- Remova a cobertura plástica da base da tupa removendo os parafusos de fixação. Os parafusos e a base plástica devem ser guardados em segurança para serem usados na reinstalação.
- Assegure-se de que a base da tupa está completamente limpa de modo que fique nivelada com a placa de montagem na instalação.
- Solte os dois parafusos de fixação da tupa até que fiquem aproximadamente 10mm acima da base da tupa, quando esta for empurrada para baixo.
- Empurre os parafusos para baixo até que suas cabeças estejam dentro dos buracos e, então, gire a tupa no sentido anti-horário até que os parafusos fiquem alinhados com os orifícios pequenos em forma de triângulo (fig. B).
- Aperte os parafusos de fixação firmemente.
- Assegure-se de que toda a alimentação elétrica está desligada e conecte o plugue de energia da ferramenta elétrica no soquete de energia de rede do Centro de Trabalho e não diretamente na tomada de parede.

Nota: Os modelos de tupa TRAO01 Triton anteriores não possuem um soquete de mesa.

Nivelamento da placa guia

- Nivele a placa guia na mesa de tupa com um esquadro e com a chave sextavada fornecida para ajustar os parafusos de nivelamento (ver fig. N).
 - Instale os três para fusos da placa guia (P8) para prende-la na posição.
 - Verifique se a placa guia está nivelada com a superfície da mesa.
- IMPORTANTE:** Assegure-se sempre de que está usando a placa guia adequada à fresa de tupa instalada.

Nivelamento do módulo de tupa

- Todos os módulos devem ser ajustados de modo que fiquem nivelados com a estrutura do Centro de Trabalho, de modo a se obterem resultados precisos e uma operação segura. Portanto, todos os módulos são equipados com sete parafusos de nivelamento de módulo (11).

- Encaixe o módulo na estrutura do Centro de Trabalho e acione ambas as travas do módulo (20).
- Aperte os três parafusos bobina de nivelamento do módulo (11), até que não haja nenhum movimento entre o módulo e a estrutura do Centro de Trabalho.
- Encoste uma borda reta que passe pelo canto e pelos parafusos de nivelamento e verifique se existem folgas.
- Ajuste os parafusos de nivelamento do módulo com a chave sextavada fornecida, até que ambos os lados do cantos estejam completamente nivelados com a estrutura do Centro de Trabalho.
- Repita o procedimento para os três cantos restantes e para o parafuso único de nivelamento que fica no meio da lateral comprimida do módulo.
- Verifique se todos os lados do módulo estão completamente alinhados com a estrutura do Centro de Trabalho encostando uma borda reta no módulo, perpendicular aos lados comprimido e curto, e diagonalmente sobre a mesa. Faça um ajuste fino e verifique novamente, onde necessário.

Coleta de pó

AVISO: Use SEMPRE um aspirador de pó ou sistema de extração de pó de oficina adequada.

AVISO: Alguns pós provenientes de madeira natural, de revestimentos de superfície e de materiais compostos contém substâncias tóxicas. Descarte SEMPRE esses pós nocivos em conformidade com as leis e regulamentos aplicáveis.

- Embora a coleta de pó possa ser efetuada com qualquer aspirador de pó, os modelos domésticos (do tipo saco) podem ficar cheios muito rapidamente. Para uma capacidade maior, considere acoplar um Triton Dust Collector (DCA300) (Coletor de Pó da Triton) a seu aspirador de pó.
- A demanda elétrica combinada da tupa e do aspirador de pó poderá ultrapassar a capacidade de amperagem da extensão ou da tomada de parede utilizadas. Portanto, conecte sempre o aspirador e a tupa em tomadas elétricas diferentes e ligue cada aparelho separadamente.

Operação

 AVISO: Use SEMPRE proteção ocular, auricular e respiratória, bem como luvas apropriadas, quando trabalhar com esta ferramenta.

IMPORTANTE: A mesa de tupa tem uma marca que indica o sentido de alimentação. Este é o sentido correto e o mais seguro para movimentação da peça de trabalho quando se usa a tupa.

AVISO: Não desequilibre o centro de Trabalho usando peças muito grandes.

Nota: Consulte as instruções originais do Centro de Trabalho TWX7 para obter as informações e diagramas completos das peças do Centro de Trabalho.

Operação da caixa de conexões

IMPORTANTE: A caixa de conexões requer ser conectada à energia de rede para funcionar. Ela voltará automaticamente à posição OFF (Desligada) assim que a energia for desconectada e requer ser reposicionada em ON (Ligada), quando a energia for reestabelecida, para que se continuem as operações.

Acionamento e desligamento

Nota: Consulte o manual da tupa para obter mais informações.

- O interruptor ON/OFF (LIGA/DESLIGA) do Centro de Trabalho fica localizado na frente.
 - Conecte o plugue de energia do Centro de Trabalho na tomada de energia e ligue o equipamento.
 - Movimente o interruptor ON/OFF do Centro de Trabalho para a posição '0' empurrando a borda de parada de emergência.
 - Ligue a ferramenta elétrica pressionando o interruptor ON/OFF para a posição '1'.
 - Movimente o interruptor ON/OFF do Centro de Trabalho para a posição 'I' para fornecer energia para a ferramenta elétrica.
- Pressione a borda de parada de emergência para desligar.

Posição do usuário e direção de alimentação

- A posição principal do operador é definida pela localização do interruptor de parada de segurança.
- Permanença SEMPRE posicionado próximo ao interruptor, de modo que a máquina possa ser desligada instantaneamente, no caso de uma emergência.
- Introduza as peças de trabalho na máquina a partir dessa posição, no sentido indicado pelas setas da superfície da mesa do respectivo módulo.

Instalação e remoção das fresas de tupa

AVISO: Não use ferramentas de corte que tenham mais de 50 mm de diâmetro quando estiver usando o módulo de mesa de tupa.

- Desligue a tupa com o interruptor da própria ferramenta.
- Instale o bobinador da mesa na mesa de tupa e gire-o para erguer a ferramenta de corte e o mandril.
- Use a chave de mandril da tupa para remover e trocar a fresa atualmente instalada.
- Gire o bobinador da mesa para trazer a fresa da tupa de volta a sua posição correta de trabalho.
- Assegurando-se de que o interruptor de energia está na posição 'Off' (desligado), retorne-o à posição 'On' (Ligado).

IMPORTANTE: Não use o bobinador de mesa enquanto a tupa estiver energizada.

IMPORTANTE: Consulte o manual da tupa para obter detalhes sobre os tipos e tamanhos de fresas de tupa compatíveis.

Uso do protetor

- Assegure-se de usar o protetor (17) sempre que possível e ajuste-o na altura correta para garantir a proteção máxima para as mãos do operador.

Uso dos ajustes micrométricos da guia

- Desaperte os parafusos manuais dos ajustes micrométricos da guia (4) para permitir um ajuste suficiente. Aperte os microajustadores em sua posição contra a parte traseira da guia e aperte os parafusos manuais para obter o desconto requerido. Uma volta completa corresponde a 1mm
- Destrave a guia, desloque-a de volta contra os microajustadores e trave-a novamente.

Uso da guia

- As faces da guia (14) devem ser sempre posicionadas o mais próximo possível da ferramenta de corte. Posicione-as movendo-as para a frente e para trás. Certifique-se de que estão tensionadas com a firmeza suficiente para resistir a movimentos indesejados.

Uso dos pentes de segurança

IMPORTANTE: Durante o uso, não deve ocorrer sobreposição entre os pentes horizontais e verticais. É exigida uma distância mínima de 10 mm entre eles. Veja a fig. Q

Ambos, o pente de segurança vertical (5) e o pente de segurança horizontal (19), são usados para se aplicar uma pressão leve sobre a peça de trabalho de forma a prendê-la com maior segurança, à medida que é cortada.

- Cada protetor de segurança tem um pino plástico curto (fig O); isto indica a linha da peça de trabalho. Ajuste tanto o pente de segurança vertical como o horizontal, de modo que este pino curto toque a peça de trabalho e os pinos mais longos fiquem tensionados contra a peça de trabalho.
- A altura exposta da ferramenta de corte da tupa não deve ultrapassar a altura dos pentes de segurança horizontais instalados. Os pentes de segurança horizontais podem ser empilhados para permitir uma altura exposta maior da ferramenta de corte e o trabalho com peças de altura maior. Isto requer uma compra adicional TWX7FB.

Empilhados	1	2	3	4
Altura	9,5mm	15mm	44mm	50mm

Uso dos espaçadores da guia

Os cortes de aplainamento devem ser efetuados com a ferramenta de corte mais oculta atrás das faces da guia (14) (fig. R & S)

AVISO: NUNCA realize cortes de aplainamento com a peça de trabalho passando entre a ferramenta de corte e a guia à direita.

A ferramenta de corte irá fletir para o lado, 'subir' sobre a peça de trabalho e arrancar a peça das suas mãos; ou ainda puxar sua mão contra ela.

Aplainamento na guia da tupa

- Cortes de aplainamento de 0,5; 1,0; 1,5 e 2,0 mm podem ser realizados usando-se os espaçadores da face da guia (2).

Método 1

- Assegure-se de que as faces da guia estão próximas à ferramenta de corte.
- Empurre a face esquerda da guia, que possui uma mola, para longe da guia e deslize os dois espaçadores da face da guia para dentro das fendas criadas na rotação necessária para a máxima profundidade de corte requerida, conforme marcado no espaçador.
- Use uma borda reta de madeira para alinhar a lâmina de corte apenas com a face esquerda da guia. Inicie o corte.

Método 2

- Assegure-se de que as faces da guia estão próximas à ferramenta de corte.
- Posicione os microajustadores (24) a meio curso, garantindo que as marcas estão alinhadas.
- Use uma borda reta de madeira para alinhar a lâmina de corte apenas com as faces da guia. Empurre os microajustadores contra a guia. Trave a guia nessa posição.
- Selecione a profundidade de corte desejada. Gire ambos os microajustadores no sentido horário até à profundidade desejada.
- Empurre a face esquerda da guia, que possui uma mola, para longe da guia e deslize os dois espaçadores da face da guia para dentro das fendas criadas na rotação necessária para a máxima profundidade de corte requerida, conforme marcado no espaçador. Inicie o corte.

Instalação do pino de início

- Pode-se instalar um pino de início na mesa de tupa para auxiliar no roteamento à mão livre. Para operação à mão livre, configure a mesa de tupa conforme indicado na fig. P.

- Assegure-se de que o protetor está ajustado na altura correta para fornecer a máxima proteção para as mãos do operador (fig.T).
- Durante o uso, a peça de trabalho deve entrar em contato primeiro com o pino de início e ser inclinado a partir dessa posição em direção à ferramenta de corte para a realização do primeiro corte.

Acessórios

- Seu revendedor Triton oferece uma ampla gama de acessórios e consumíveis, além daqueles apresentados abaixo. Peças de reposição podem ser obtidas através do site: www.toolsparesonline.com

Código Triton	Descrição
TWX7P	Protractor
TWX7FB	Pacote de pente de proteção

Manutenção

 AVISO: SEMPRE desconecte a ferramenta da alimentação elétrica, antes de realizar qualquer manutenção/limpeza.

Inspeção geral

- Verifique regularmente se todos os parafusos de fixação estão apertados, se não existem peças com danos e se todas estão em boas condições. Não use a mesa de tupa até que todas as peças danificadas, defeituosas ou muito gastas tenham sido substituídas.
- Inspeccione o cabo de energia da ferramenta, antes de cada utilização, em busca de desgaste ou danos. Os reparos devem ser realizados por um Centro de Serviços Autorizado pela Triton. E isto também se aplica aos cabos de alimentação elétrica da ferramenta.

Limpeza

- Mantenha sua ferramenta limpa o tempo todo. A sujeira e o pó produzem desgaste acelerado das peças internas e encurtam a vida útil da ferramenta. Limpe o corpo de sua ferramenta com uma escova macia ou pano seco. Se houver ar comprimido disponível, use-o para soprar a sujeira nas fendas de ventilação.
- Limpe a carcaça da máquina com um pano macio e úmido, utilizando um detergente suave. Não use álcool, gasolina ou agentes de limpeza fortes.
- Nunca use agentes cáusticos para limpar peças plásticas.

Lubrificação

- Lubrifique ligeiramente todas as peças móveis com um lubrificante adequado, a intervalos regulares.

Armazenamento

- Guarde esta ferramenta com cuidado, em um lugar seco e seguro, fora do alcance de crianças.

Descarte

Cumpra sempre as leis nacionais ao descartar ferramentas elétricas que não funcionam mais e cujo reparo não é mais viável.

- Não descarte ferramentas elétricas, ou outros equipamentos elétricos e eletrônicos (WEEE) no lixo doméstico.
- Contate a autoridade local de eliminação de resíduos para saber o modo correto de descartar ferramentas elétricas.

Resolução de problemas

Problema	Possível causa	Solução
Nada funciona quando a energia é ligada	Não há energia	Verifique a fonte de alimentação elétrica
	O interruptor de energia da tupa está desligado	Reinicie o interruptor de energia
O módulo da mesa não está nivelado	Os parafusos de nivelamento não estão ajustados corretamente	Consulte a seção 'Nivelamento do Módulo de Tupa'
	Superfície irregular	Assegure-se de que o Centro de Trabalho está situado em uma superfície plana e firme. Reposicione a mesa, caso o piso esteja irregular no local atual.
Ruído mecânico desconhecido	Verifique se a fresa da tupa está instalada corretamente	Aperte o conjunto do mandril
	Outros acessórios estão soltos	Verifique os acessórios
	A tupa está funcionando solta desde sua instalação	Prenda a tupa corretamente e aperte a fixação dos acessórios
A operação gera muita serragem e pó, durante o uso	Verifique se o saco, ou cilindro, do sistema de coleta de pó não está cheio.	Troque o saco ou esvazie o cilindro.
	Verifique se a extração de pó está desligada	Ligue a extração de pó
	Verifique se a extração de pó está conectada corretamente	Certifique-se de que tudo está instalado corretamente em todo o conjunto de extração de pó e na mangueira.
Qualidade do trabalho muito ruim	Garanta que a lâmina de serra está afiada e em boa condição	Substitua se estiver cega ou gasta
	Verifique se a velocidade da tupa está correta	Ajuste a velocidade corretamente na unidade de tupa
	O corte por passe está muito profundo	Realize o trabalho em vários passes
Peça de trabalho difícil de controlar	Peça de trabalho posicionada incorretamente	Consulte a seção de segurança da mesa de tupa e consulte também o manual original da tupa, para obter informações de segurança adicionais.
	Guia de trabalho posicionada incorretamente	
	Sentido incorreto da peça de trabalho	
	Pentes de segurança usados incorretamente	

Garantia

Para registrar sua garantia, visite nosso site em www.tritontools.com* e cadastre suas informações. Seus dados serão incluídos em nossa lista de endereços (a menos que indicado de outro modo) para que você receba informações sobre lançamentos futuros. Os dados que nos fornecer não serão repassadas a terceiros.

Registro de compra

Data de compra: ___/___/___

Modelo: TWX7RT001 Retenha sua nota fiscal como comprovante de compra

A Triton Precision Power Tools garante ao comprador deste produto que qualquer peça que apresentar defeito, devido a materiais defeituosos ou mão de obra, dentro de 3 ANOS a partir da data da compra original, será reparada, ou a critério exclusivo da Triton, substituída sem encargos para o comprador.

Esta garantia não se aplica a uso comercial e não se estende a desgaste normal, ou quebras e danos que resultem de acidentes, abusos ou mau uso.

* Registre-se online dentro de 30 dias.

Termos e condições aplicáveis.

Isto não afeta seus direitos legais.

Akcesoria

- Ogromny zakres akcesoriów oraz kompatybilnych elektronarzędzi Triton, w jest dostępny w sprzedaży u dystrybutora Triton. Zakup części zamiennych jest dostępny na stronie internetowej toolsparsonline.com.

Kod Triton	Opis
TWX7P	Kątomierz
TWX7FB	Grzebień dociskowy

Konserwacja

OSTRZEŻENIE: Przed przeprowadzeniem kontroli, czynności konserwacyjnych lub czyszczenia zawsze odłączaj urządzenie od źródła zasilania.

Rutynowa kontrola

- Regularnie sprawdzaj wkrety mocujące są odpowiednio dokręcone i w dobrej pozycji. Nie używaj stołu do frezarki, dopóki uszkodzone, bądź zużyte elementy nie zostaną wymienione
- Sprawdź przewód zasilania narzędzia przed każdym użyciem pod kątem uszkodzeń lub zużycia. Naprawy powinny być przeprowadzane przez autoryzowany punkt serwisowy Triton. Dotyczy to również przedłużaczy stosowanych przy urządzeniu.

Czyszczenie

- Utrzymuj narzędzie w czystości przez cały czas brud i kurz powodują szybsze zużycie elementów wewnętrznych i skracają okres eksploatacji urządzenia.
- Do czyszczenia elementów plastikowych nie należy używać środków żrących. Jeśli czyszczenie na sucho nie przynosi wystarczających efektów, zalecane jest użycie wilgotnej szmatki i łagodnego detergentu.
- Nie wolno używać silnych środków żrących do czyszczenia plastikowych elementów

Smarowanie

- Należy regularnie smarować wszystkie ruchome części urządzenia niewielką ilością środka smarnego w sprayu.

Przechowywanie

- Należy przechowywać narzędzie w bezpiecznym, suchym miejscu niedostępnym dla dzieci.

Utylizacja

Należy zawsze przestrzegać przepisów krajowych dotyczących utylizacji elektronarzędzi, które nie są już funkcjonalne i nie nadają się do naprawy.

- Nie wyrzucaj elektronarzędzi lub innych odpadów elektrycznych i elektronicznych (WEEE) wraz z odpadami komunalnymi.
- Skontaktuj się z władzami lokalnymi zajmującymi się utylizacją odpadów, aby uzyskać informacje na temat prawidłowego sposobu utylizacji elektronarzędzi

Rozwiązywanie problemów

Problem	Możliwa przyczyna	Rozwiązanie
Brak reakcji po podłączeniu zasilania	Brak zasilania	Sprawdź zasilanie
	Włącznik frezarki jest wyłączony	Zresetuj włącznik frezarki
Moduł stołu jest niewypoziomowany	Wkrety poziomujące blat zostały nieprawidłowo wyregulowane	Odwolaj się do rozdziału 'Poziomowanie modułu do frezarki'
	Nierówna powierzchnia	Upewnij się, że Workcentre zostało umieszczone stabilnie na płaskiej powierzchni. W razie potrzeby należy przenieść stół na bardziej odpowiednie miejsce
Nieznany dźwięk mechaniczny	Sprawdź czy frez został prawidłowo założony	Przykręć tuleję zaciskową
	Inne elementy mocujące zostały poluzowane	Sprawdź inne elementy mocujące
	Frezarka luźno pracuje	Zabezpiecz prawidłowo frezarkę i dokręć element mocujące
Duża ilość wiórki pyłu emitowana podczas pracy	Sprawdź system odsysania pyłu, w szczególności torbę bądź zbiornik pod względem zapelnienia	Wymień torbę bądź opróżnij zbiornik na pył
	Sprawdź czy system ekstrakcji został uruchomiony	Włącz system
	Sprawdź mocowanie systemu do ekstrakcji pyłu	Upewnij się, że wszystko zostało prawidłowo podłączone wokół przyłącza odsysania pyłu, łącznie z węzłem
Kiepskie wykończenie	Sprawdź ostrze frezu pod względem naostrzenia i zużycia	Wymień frez, jeśli został całkowicie zużyty
	Sprawdź czy prędkość frezarki została prawidłowo ustawiona	Ustaw prawidłową prędkość na frezarce
	Cięcie jest zbyt głębokie na pojedyncze przejście	Wykonaj pracę w kilku przejściach
Przedmiot obróbki trudny do kontrolowania	Nieprawidłowe ustawienie materiału obróbki	Przeczytaj Bezpieczeństwo korzystania ze stołu do frezarki, a także zapoznaj się z oryginalną instrukcją frezarki
	Prowadnica nieprawidłowo pozycjonowana	
	Nieprawidłowy kierunek wprowadzania materiału	
	Nieprawidłowe użycie grzebień dociskowego	

Gwarancja

W celu rejestracji gwarancji odwiedź naszą stronę internetową www.tritontools.com* i podaj odpowiednia dane.

Dane zostaną dodane do naszej listy wysyłkowej (chyba, że wskazano inaczej) w celu przesyłania informacji dotyczących przyszłych produktów. Dostarczone dane nie zostaną udostępnione osobom trzecim.

Protokół zakupu

Data zakupu: ___/___/___

Model: TWX7RT001 Należy zachować paragon jako dowód zakupu

Precyzyjne Elektronarzędzia Triton gwarantują nabywcy tego produktu pewność, iż w razie usterki bądź uszkodzenia z powodu wad materiałowych lub jakości wykonania, w ciągu 3 lat od daty zakupu, firma Triton naprawi bądź według własnego uznania bezpłatnie wymieni uszkodzoną część.

Powyższa gwarancja nie pokrywa szkód spowodowanych naturalnym zużyciem, nieprawidłowym użytkowaniem, nieprzebrnięciem zaleceń obsługi, wypadkami lub wykorzystaniem urządzenia do celów komercyjnych.

* Zarejestruj swój produkt w ciągu 30 dni od daty zakupu.

Obowiązują zasady i warunki użytkowania.

Powyższe postanowienia nie mają wpływu na prawa ustawowe klienta.

Установка начального штифта

- Начальный штифт устанавливают на стол для фрезера для того, чтобы удобнее выполнять обработку в ручном режиме. Для работы в ручном режиме стол для фрезера настраивают так, как показано на рисунке Р.
- Убедитесь, что ограждение надлежащим образом настроено по высоте для максимальной защиты рук оператора (рисунок Т).
- При эксплуатации заготовку сначала упирают в начальный штифт, а затем поворачивают к режущему инструменту для выполнения первого прохода.

Оснастка

- Местный дилер Triton предоставляет широкий выбор оснастки и расходных материалов (в дополнение к перечисленным ниже). Запчасти к можно заказывать на сайте toolsparsonline.com.

Код Triton	Описание
TWX7P	Угломер
TWX7FB	Комплект гребенчатых зажимов

Техническое обслуживание

- ВНИМАНИЕ!** Осмотр, обслуживание или очистку разрешается начинать ТОЛЬКО после того, как инструмент будет отключен от источника питания.

Общий осмотр

- Регулярно проверяйте, чтобы все крепежные винты были надлежащим образом затянуты, и чтобы все детали находились в хорошем состоянии и не имели повреждений. Не используйте

стол для фрезера до тех пор, пока не будут заменены все отказавшие, поврежденные или сильно изношенные детали.

- Перед каждым использованием инструмента осматривайте шнур питания на предмет повреждений или износа. Ремонтные операции должны проводиться только официальным сервисным центром Triton. Эта рекомендация распространяется и на шнуры-удлинители, используемые с инструментом.

Очистка

- Всегда держите инструмент в чистоте. Пыль и грязь ускоряют износ внутренних деталей и сокращают срок службы инструмента. Для чистки корпуса используйте мягкую щетку или сухую тряпку. По возможности рекомендуется продувать вентиляционные отверстия сухим и чистым сжатым воздухом.
- Очищайте корпус инструмента мягкой влажной тряпкой с мягким чистящим средством. Не используйте спирты, бензин и сильные чистящие средства.
- Запрещается использовать щелочные вещества для очистки пластиковых деталей.

Смазка

- Регулярно смазывайте все движущиеся детали подходящей распыляемой смазкой.

Хранение

- Инструмент должен храниться в надежном, сухом и недоступном для детей месте.

Утилизация

Утилизация неработающего и не подлежащего ремонту электроинструмента должна выполняться в строгом соответствии с государственными нормативами.

- Запрещается утилизировать электроинструмент или иной лом электрического и электронного оборудования с бытовым мусором.
- Обратитесь в местное управление по утилизации отходов за информацией о правильных методах утилизации электроинструмента.

Поиск и устранение неисправностей

Неисправность	Возможная причина	Метод устранения
Инструмент не реагирует на включение питания.	Отсутствует питание.	Проверьте источник питания.
	Питание фрезера отключено.	Верните выключатель питания фрезера в исходное состояние.
Модуль стола располагается неровно.	Неправильная регулировка винтов для выравнивания.	Смотрите раздел «Выравнивание модуля фрезера».
	Неровная поверхность.	Проследите за тем, чтобы обрабатываемый центр располагался на устойчивой плоской поверхности. Перенесите стол на другое место, если грунт слишком неровный.
Непонятный механический шум.	Убедитесь, что режущий инструмент фрезера установлен надлежащим образом.	Затяните патрон.
	Разболтались другие фитинги.	Проверьте фитинги.
	Ослабло крепление фрезера.	Надежно закрепите фрезер и затяните фрезер.
Большое количество пыли и стружки при работе.	Убедитесь, что мешок или емкость системы вытяжки не заполнен.	Замените мешок или опустошите емкость.
	Убедитесь, что вытяжка включена.	Включите ее.
	Убедитесь, что вытяжка надлежащим образом присоединена.	Убедитесь, что все правильно собрано, включая систему вытяжки и шланг.
Низкое качество результатов.	Убедитесь, что режущий инструмент фрезера не затупился и находится в хорошем состоянии.	Замените затупившийся или изношенный инструмент.
	Проверьте частоту вращения фрезера.	Задайте правильную частоту вращения фрезера.
	Высокая глубина резания за проход.	Выполняйте работу за несколько проходов.
Сложность управления заготовкой	Заготовка неправильно позиционирована.	Дополнительную информацию о безопасности смотрите в разделе «Правила техники безопасности при работе со столом для фрезера» и исходное руководство к фрезеру.
	Неправильно позиционирована направляющая.	
	Неправильное направление подачи заготовки.	
	Неправильно используются гребенчатые прижимы.	

ГАРАНТИЯ

Чтобы зарегистрировать гарантию, зайдите на наш сайт www.tritontools.com и введите свои данные. Ваши данные будут включены в список рассылки (если вы от нее не откажетесь), и вы сможете получать информацию о наших будущих новинках. Указанные данные не передаются третьим сторонам.

ИНФОРМАЦИЯ О ПОКУПКЕ

Дата покупки: ___ / ___ / ___

Модель: TWX7RT001 Сохраните чек в качестве подтверждения покупки

Компания Triton Precision Power Tools гарантирует покупателю данного изделия, что при обнаружении дефектов материала или производственного брака в течение 3 ЛЕТ со дня первичного приобретения, компания Triton выполнит ремонт или замену (на свое усмотрение) дефектной детали бесплатно.

Гарантия не распространяется на случаи коммерческой эксплуатации изделия, нормальный износ или повреждение в результате несчастного случая, нарушения правил эксплуатации или нецелевого использования.

* Зарегистрируйтесь онлайн в течение 30 дней.

Согласно условиям и положениям.

Данные условия не влияют на ваши законные права.

Az eredeti utasítások fordítása

Bevezetés

Köszönjük, hogy megvásárolta ezt a Triton szerszámot! A jelen útmutató a termék biztonságos és hatékony üzemeltetéséhez szükséges információkat tartalmazza. Ez a termék egyedi tulajdonságokkal rendelkezik, és még ha Ön ismeri is a hasonló termékeket, mindenképpen alaposan olvassa el ezt az útmutatót, hogy megértse a benne levő utasításokat. Ügyeljen arra, hogy a szerszámot használó minden személy elolvassa és teljesen megértse ezeket az utasításokat.

A szimbólumok leírása

A készülék adattábláján jelölések találhatóak. Ezek fontos információkat tartalmaznak a termékről vagy annak használatáról.



Viseljen fülvédőt.
Viseljen védőszemüveget.
Viseljen védőmaszkot.
Viseljen fejpédót.



Viseljen védőkesztyűt.



Olvassa el a kezelési útmutatót.



Ügyeljen a visszarúgásra!



Figyelem: Éles pengék vagy fogak



Kizárólag beltéri használatra!



Ne használja esőben vagy nedves környezetben!



FIGYELEM: A mozgó alkatrészek zúzódasos és vágott sérüléseket okozhatnak.



Figyelem!



Mérgező gőzök vagy gázok!



NE érintse meg! NE bontsa meg a védőelemet, míg nem feszültségmentesíti a szerszámot. A szerszám gép használata közben tartsa távol a gyermekeket és a közelben tartózkodókat. A figyelemfelhívás miatt elvesztheti ellenőrzését a munka felett. A látogatókat biztonságos távolságban kell tartani a munkaterülettől.



Mindig válassza le a gépet a hálózati feszültségről, ha nem használja, vagy mielőtt bármilyen beállítási, tartozékcsere, karbantartási vagy tisztítási műveletet végez.

Műszaki rövidítések

V	Volt
~, AC	Váltakozó áram
A, mA	Amper, milli-Amp
n ₀	Üresjárati fordulatszám
Ø	Átmérő
°	Fok
λ	Hullámhossz
Hz	Hertz
—, DC	Egyenáram
W, kW	Watt, kilowatt
/min or min ⁻¹	Percenkénti irányváltás vagy fordulat
dB(A)	A-súlyozott zajszint decibelben
m/s ²	Méter per szekundumműgyzet (rezgés nagysága)

Műszaki adatok

Alkatrészszám:	TWX7RT001
Kompatibilis felsőmarók:	Triton TRA001 Triton MOF001 Triton JOF001
Felsőmaró-modul mérete:	660 x 410 mm
Munkasztal mérete:	904 x 708 mm
Sajtolt vezetőlemez mérete:	680 x 85 mm
Sajtolt vezetőlemez vastagsága:	21,4 mm
MDF vezetőlemez-homlok mérete:	340 x 75 mm (x2)
MDF vezetőlemez-homlok max. nyitása:	90 mm
Vezetőlemez állítható helyzete:	+25/-125 mm
Vezetőlemez finombeállító gombja:	1 mm (egy teljes fordulat)
Távtartó rúd beállításai:	0,5, 1,0, 1,5, 2,0 mm
Védőburkolat magassága:	0-76 mm
Betélapok halmozási magassága:	1: 9,5 mm, 2: 15 mm, 3: 44 mm, 4: 50 mm
Felsőmaró fej vezetőgyűrű max. átmérője (D max.):	Nagy - 50 mm Közepes - 40 mm Kicsi - 20 mm
Porelvezető szerelvény (átm.):	31,75 mm magas nyomás / 62,5 mm alacsony nyomás
Nettó tömeg:	9,9 kg

Általános munkavédelmi tudnivalók

FIGYELEM! Elektromos szerszámok használatakor a tűz, áramütés vagy személyi sérülés elkerülésének érdekében tartsa be az alábbi alapvető biztonsági óvintézkedéseket. A készülék használata előtt olvassa el az összes utasítást, és őrizze meg a Használati útmutatót a jövőbeni használat céljából.

FIGYELEM: Ezt a készüléket nem használhatja csökkent fizikai vagy értelmi képességekkel rendelkező személyek (beleértve ebbe a gyermekeket is), vagy tapasztalat és ismeretek nélkül rendelkező emberek, hacsak nem állnak a biztonságukért felelős személy felügyelete alatt, illetve nem követik annak utasításait. A gyermekeket felügyelet alatt kell tartani, hogy ne játsszanak a készülékkel.

VIGYÁZAT: A szerszámgépet, a tartozékokat, a marófejeket stb. ezen utasításoknak megfelelően, valamint a munkakörülmények és a végzendő munka figyelembe vételével használja. A szerszám gép rendeltetéstől eltérő használata veszélyes helyzetet okozhat.

A figyelmeztetésekben említett „szerszámgép” kifejezés az összes alábbi figyelmeztetés esetén az elektromos hálózatról üzemelő (vezetékes) szerszámgépére és az akkumulátorral üzemelő (vezeték nélküli) szerszámgépére is vonatkozik.

- **Tartsa rendben a munkaterületet** - Rendetlen területeken és munkapadokon nagyobb a sérülés kockázata.
 - **Tartsa rendben/ügyeljen a munkaterület környezetére is.**
 - Ne tegye ki a szerszámot esőnek.
 - Ne használja a szerszámot nedves vagy nyirkos környezetben.
 - Gondoskodjon a munkaterület jó megvilágításáról.
 - Ne használja a szerszámot gyúlékony folyadékok vagy gázok környezetében.
 - **Áramütés megelőzése** - Kerülje a fizikai érintkezést földelt felületekkel (például csővezetékkel, fűtőtestekkel, tűzhelyekkel és hűtőberendezésekkel).
 - **Tartsa távol az illetéktelen személyeket** - Ne engedje, hogy illetéktelen személyek, különösen gyermekek megérintsék a gépet vagy az elektromos kábelt, és tartsa őket távol a munkaterülettől.
 - **Rakja el a nem használt szerszámokat** - A használaton kívüli szerszámokat száraz, zárható helyen, gyermekek elől elzárva kell tárolni.
 - **Ne erőltesse a szerszámot** - A szerszám jobban és biztonságosabban működik azon a sebességen, melyre tervezték.
 - **Használjon megfelelő szerszámot** - Ne használjon kis szerszámot olyan munkára, amelyet nagy géppel kellene elvégezni.
Ne használjon szerszámokat rendeltetésüktől eltérő módon; például ne használjon körfűrész faágak vagy faronkok vágására.
 - **Öltözzön megfelelően.**
 - Ne viseljen laza ruházatot vagy ékszereket, mert ezek beleakadhatnak a mozgó alkatrészekbe.
 - Kültérben való munkavégzéskor munkavédelmi lábbeli viselése javasolt.
 - A hosszú haj védelmére viseljen megfelelő fejfedőt.
 - **Használjon védőfelszerelést.**
 - Viseljen védőszemüveget.
 - Viseljen arcvédő vagy porvédő maszkot, ha poros körülmények között dolgozik.
- FIGYELEM:** A védőfelszerelés vagy megfelelő ruházat viselésének elmulasztása személyi sérülést okozhat, illetve megnövelheti a súlyosabb sérülés kockázatát.
- **Csatlakoztassa porszivó berendezéshez** - Amennyiben a szerszámgéphez por elvezetésére és összegyűjtésére szolgáló berendezést lehet csatlakoztatni, bizonyosodjon meg róla, hogy ezeket csatlakoztatta, és hogy használatuk a megfelelő módon történik.
 - **Ne használja helytelen módon a tápkábelt** - Soha ne mozgassa a készüléket és ne húzza ki a konnektorból a kábelnél fogva. A tápkábelt tartsa távol a hőforrásoktól, olajtól és az éles peremektől. A megrongálódott vagy összekuszálódott tápkábelek növelik az áramütés veszélyét.
 - **Rögzítse a munkadarabot** - Lehetőség szerint használjon pillanatszorítót vagy satut a munkadarab ögzítéséhez. Ez biztosabb rögzítést eredményez, mint a kézzel való megfogás.
 - **Kerülje az abnormális testtartást** - Mindig biztonságosan állva és egyensúlyát megtartva dolgozzon.
 - **Gondoskodjon szerszámai karbantartásáról.**
 - A tisztán tartott, éles vágóélekkel rendelkező vágószerszámoknál kevésbé valószínű a munkadarabba való

Általános átvizsgálás

- Rendszeresen ellenőrizze, hogy minden rögzítőcsavar és alkatrész kellően meg van-e húzva, valamint nincsenek-e megsérülve, és állapotuk megfelelő-e. A felsőmaróasztalt addig ne használja, míg a hibás, sérült vagy erősen kopott alkatrészeket ki nem cserélte.
- Minden egyes használat előtt ellenőrizze, hogy a hálózati kábel nem sérült vagy kopott-e. A javítást egy hivatalos Triton szervizben kell elvégeztetni. Ez a tanács a szerszámmal használt hosszabbító kábelekre is érvényes.

Tisztítás

- Tartsa a szerszámgépet mindig tisztán. Szennyeződés és por hatására a belső alkatrészek kopása gyorsabb lesz, és lerövidül a gép élettartama. Tisztítsa meg a gép testét egy puha kefével vagy száraz ronggyal. Ha lehetséges, használjon tiszta, száraz, sűrített levegőt a szellőzőnyílások átfúvatásához.
- A szerszám burkolatát enyhe tisztítószerrel és nedves ruhával törölje tisztára. Ne használjon alkoholt, benzint vagy erős tisztítószer.

- A műanyag részek tisztításához soha ne használjon maró anyagot.

Kenés

- Megfelelő kenő aeroszollal rendszeres időközönként finoman kenje meg az összes mozgó alkatrészt.

Tárolás

- Tárolja ezt a szerszámot körültekintően, egy biztonságos, száraz, gyermekek által nem elérhető helyen.

Leselejtezés

A már nem működőképes és javíthatatlan elektromos kéziszerszámok ártalmatlanítása során mindig tartsa be nemzeti előírásokat.

- Ne dobja ki a leselejtezett elektromos és elektronikus berendezést (WEEE) a háztartási hulladékkal együtt.
- Forduljon a helyi hulladékkezelési hatósághoz, hogy tájékozódjon az elektromos szerszámok ártalmatlanításának megfelelő módjáról.

Hibaelhárítás

Hibajelenség	Lehetséges ok	Megoldás
Nincs funkció a tápfeszültség bekapcsolása után.	Nincs tápfeszültség.	Ellenőrizze a tápfeszültséget.
	A felsőmaró egység be/ki kapcsolója ki állásban van.	Állítsa vissza a felsőmaró be/ki kapcsolóját.
Az asztalmodul nem vízszintes.	A szintezőcsavarok beállítása helytelen.	Lásd a felsőmaró modul színtezése című szakaszt.
	Egyetlen felület.	Ügyeljen arra, hogy a Workcentre munkaállomás szilárd, sík felületen legyen felállítva. Helyezze át az asztalt, ha a talajt túl egyenetlennek ítéli.
Zajos a szerszám.	Ellenőrizze, hogy a felsőmaró feje megfelelően van-e felszerelve.	Húzza meg a befogópatront.
	Más szerelvény lazult fel.	Ellenőrizze a szerelvényeket.
	A felsőmaró lelazult a rögzítési helyéről.	Megfelelően rögzítse a felsőmarót, és húzza meg a szerelvényeket.
Használat közben nagy mennyiségű forgács és por képződik.	Ellenőrizze, hogy a porszívó rendszer zsákja vagy porgyűjtő edénye nincs-e tele.	Cserélje ki a porzsákot vagy űrtse a porgyűjtő edényt.
	Ellenőrizze, hogy a porelszívás be van-e kapcsolva.	Kapcsolja be.
	Ellenőrizze, hogy a porelszívás megfelelően van-e csatlakoztatva.	Ellenőrizze, hogy minden megfelelően van-e összeszerelve a teljes porelszívó rendszeren és a gégecsövön.
Gyenge minőségű végeredmény.	Ellenőrizze, hogy a felsőmaró éles és jó állapotban van-e.	Cserélje ki, ha sérült vagy elhasználódott.
	Ellenőrizze, hogy a felsőmaró fordulatszáma megfelelő-e.	Állítsa be megfelelően a felsőmaró fordulatszámát.
	A vágás túl mély metetenként.	A munkát több menetben végezze el.
A munkadarab irányítása nehéz.	A munkadarab helyzete nem megfelelő.	Nézze meg a felsőmaróasztal munkavédelmi szakaszát és a felsőmaró eredeti használati útmutatóját a további biztonsági tudnivalókkal kapcsolatban.
	A vezetőlemez helyzete nem megfelelő.	
	A munkadarab helyzete nem megfelelő.	
	A csapos leszorítólemezeket nem megfelelően használja.	

Jótállás

A jótállás regisztrálásához látogassa meg www.tritontools.com

* weboldalunkat, és adja meg adatait.

Adatai bekerülnek a levelezési listánkba (kivéve, ha ezt másképpen kéri), és tájékoztatjuk a legfrissebb újdonságainkról. A megadott adatokat nem bocsátjuk harmadik fél rendelkezésére.

Vásárlási nyilvántartás

Vásárlás dátuma: ___ / ___ / ___

Típus: TWX7RT001 Őrizze meg a vásárlást igazoló nyugtát.

A Triton Precision Power Tools jótállást vállal a jelen termék bármely alkatrészének azon hibáiért, melyek anyaghibára vagy gyártási hibára vezethetőek vissza. A jótállás az eredeti vásárlás dátumától 3 ÉVIG érvényes, és a Triton vállalja, hogy díjmentesen, mérlegelése szerint megjavítja vagy kicseréli a hibás alkatrészt.

A jelen jótállás nem vonatkozik az iparszerű használatra, és nem terjed ki a természetes elhasználódásra, a balesetből bekövetkező sérülésre, a rongálásra és a helytelen használatra.

* Online regisztráció 30 napon belül.

A szerződési feltételek szerint.

Ez nem befolyásolja törvény által biztosított jogait.

Překlad originálního návodu

Úvod

Děkujeme za zakoupení výrobku Triton. Tento návod obsahuje nezbytné informace pro bezpečné používání a správnou funkci tohoto výrobku. Tento výrobek nabízí mnoho jedinečných funkcí. Je možné, že jste již s podobným výrobkem pracovali; přesto si důkladně přečtěte tento návod, abyste rozuměli pokynům. Ujistěte se, že všichni, kdo s výrobkem pracují, tento návod četli a porozuměli mu.

Použití symboly

Typový štítek na vašem nářadí může obsahovat symboly. Ty představují důležité informace o výrobku nebo pokyny k jeho použití.



Používejte chrániče sluchu
Používejte ochranné brýle
Používejte respirátory
Používejte ochrannou přilbu



Používejte ochranné rukavice



Přečtěte si návod



Pozor na zpětný ráz!



Varování: Ostré ostří nebo zuby!



Pouze pro použití uvnitř!



Nepoužívejte při dešti nebo ve vlhkém prostředí!



VAROVÁNÍ: Pohybliví se části mohou způsobit rozdrčení nebo řezné poranění!



Pozor!



Nebezpečné výpary nebo plyny!



Nedotýkejte se! Neotevírejte ochranný kryt bez odpojení napájení. Při práci s elektrickým nářadím musí děti a příslušníci stát mimo dosah nářadí. Při rozptýlení může dojít ke ztrátě kontroly. Všichni příslušníci by měli stát v bezpečné vzdálenosti od pracovní plochy.



Nářadí vždy vypojte z elektrické sítě, pokud provádíte úpravy, měníte příslušenství, čistíte, provádíte údržbu a když nářadí nepoužíváte!

Tabulka technických zkratk

V	volty
~, AC	střídavý proud
A, mA	ampér, miliampér
n ₀	otáčky naprázdno
Ø	průměr
°	stupně
λ	vlnová délka
Hz	hertz
---, DC	stejnoseměrný proud
W, kW	watt, kilowatt
/min nebo min ⁻¹	operace za minutu
dB(A)	hladina akustického tlaku v decibelech (vážená)
m/s ²	metry za sekundu2 (velikost vibrací)

Technická data

Model:	TWX7RT001
Kompatibilní horní frézy:	Triton TRA001 Triton MOF001 Triton JOF001
Velikost frézovacího nástavce:	660 x 410 mm
Velikost stolu Pracovního centra:	904 x 708 mm
Velikost extrudované vodící lišty:	680 x 85 mm
Šířka extrudované vodící lišty:	21.4mm
Velikost MDF vodící lišty:	340 x 75 mm (2x)
Maximální rozevření MDF vodící lišty:	90 mm
Nastavitelná pozice vodící lišty:	+25/-125 mm
Mikro posuvy vodící lišty:	1 mm (jedna celá otáčka)
Nastavení vymezovačů:	0,5, 1,0, 1,5, 2,0 mm
Výška krytu:	0-76 mm
Výška přítlačných pružin:	1 (9,5 mm) , 2 (15 mm), 3 (44 mm), 4 (50 mm)
Maximální průměr stopkové frézy podle použité desky (D _{max}):	Velká - 50 mm Střední - 40 mm Malá - 20 mm
Velikost portu pro odsávání prachu (průměr):	75 mm vysokotlaký / 62,5 mm nízkotlaký
Hmotnost:	9,9 kg

Bezpečnostní opatření

UPOZORNĚNÍ! Když používáte elektronářadí, měli byste vždy uposlechnout bezpečnostních varování, abyste minimalizovali riziko požáru, úraz elektrickým proudem a/nebo vážné poranění. Přečtěte si všechna bezpečnostní varování a instrukce.

UPOZORNĚNÍ: Tento přístroj nesmí být používán osobami (včetně dětí) s tělesným nebo mentálním poškozením. Dále ho nesmí používat osoby s minimem zkušeností nebo znalostí, pokud na ně nedohlží osoba zodpovědná za bezpečnost nebo jim nebyly předány instrukce k obsluze přístroje. Děti musí být seznámeny s tím, že si s tímto přístrojem nesmí hrát.

POZOR: Elektronářadí a příslušenství používejte dle tohoto návodu; berte přitom v úvahu podmínky na pracovišti a práci, kterou vykonáváte. Použití elektronářadí pro práce odlišné od těch, ke kterým je elektronářadí určeno, může způsobit nebezpečné situace.

Výrazem "elektronářadí" zmiňovaným v bezpečnostních opatřeních se rozumí zařízení používané v elektrické síti (se síťovým kabelem) anebo zařízení, které využívá bateriový pohon (bez síťového kabelu).

1 - **Udržujte pracovní místo čisté a dobře osvětlené** - nepořádek nebo neosvětlené pracovní místo může vést k úrazům

2 - **Zvažte, kde nářadí použijete**

- Nevystavujte nářadí dešti
- Nepoužívejte nářadí ve vlhkém prostředí
- Pracovní plochu mějte dobře osvětlenou
- Nepoužívejte elektronářadí v prostředí ohroženém explozí, kde se nacházejí hořlavé kapaliny nebo plyny

3 - **Chraňte se před úrazem elektrickým proudem** - vyhněte se tělesnému kontaktu s uzemněnými povrchy jako je potrubí, topná tělesa, sporáky a chladničky

4 - **Ostatní osoby by se měly nacházet v dostatečné vzdálenosti** – nenechte přihlížející osoby, zvláště děti, dotýkat se kabelů a udržujte je v dostatečné vzdálenosti od pracovního místa

5 - **Nepoťřebné nářadí uklíďte** – pokud nářadí nepoužíváte, mělo by být skladováno na suchém a uzamčeném místě, mimo dosah dětí

6 - **Na nářadí netlačte** - práci zvládne lépe a bezpečněji v rychlosti, která je doporučena

7 - **Používejte správné nářadí** - nepoužívejte malé nářadí na práci, kterou lépe zvládne výkonnější nářadí. Nářadí nepoužívejte na práci, pro kterou není určeno; např. nepoužívejte okružní pilu na řezání větví nebo polen

8 - **Používejte vhodný oděv**

- Nenoste žádný volný oděv nebo šperky, které mohou být zachyceny pohyblivými se díly
- Pokud pracujete venku, noste vhodnou bezpečnostní obuv
- Noste pokrývku hlavy, která schová dlouhé vlasy

9 - **Používejte ochranné pomůcky**

- Používejte ochranné brýle
- Používejte respirátor nebo masku proti prachu, pokud pracujete v prašném prostředí

VAROVÁNÍ: Nenošení ochranných pracovních pomůcek nebo vhodného oblečení může způsobit poranění nebo zvýšit pravděpodobnost úrazu

10 - **Připojte odsávací vybavení** – pokud je nářadí vybaveno připojením odsávacího systému nebo sběrným vybavením, ujistěte se, že je správně připojeno a používáno

11 - **Dbejte na účel kabelu** - nepoužívejte jej k vytážení zástrčky ze zásuvky. Udržujte kabel daleko od tepla, oleje, ostrých hran nebo pohyblivých dílů stroje. Poškozené nebo spletené kabely zvyšují riziko zásahu elektrickým proudem

12 - **Bezpečná práce** – kdykoliv je to možné, používejte svěrky nebo svěrák pro držení materiálu. Je to bezpečnější, než materiál držet rukou

13 - **Nenaklánejte se příliš** – stůjte ve správné poloze a vždy držte rovnováhu

14 - **S nářadím zacházejte svědomitě**

- Řezné nástroje udržujte ostré a čisté - pečlivě ošetřované řezné nástroje s ostrými řeznými hranami se méně vzpřičují a snadněji se vedou
- Dodržujte pokyny týkající se mazání a výměny příslušenství
- Pravidelně kontrolujte přívodní kabel, a pokud je poškozený, nechte ho opravit v autorizovaném servisním centru
- Prodlužovací kabely pravidelně kontrolujte, a pokud jsou poškozené, vyměňte je
- Rukojeti udržujte suché, čisté a beze stop oleje nebo mastnoty

VAROVÁNÍ: Mnoho úrazů je způsobeno nářadím, se kterým není svědomitě zacházeno

15 - **Nářadí odpojujte ze sítě** – pokud nářadí nepoužíváte, při úpravách nebo výměně příslušenství jako jsou nože, bity a kotočce, nářadí vždy vypněte ze sítě

Řešení problémů

Problém	Možná příčina	Řešení
Nářadí po zapnutí nefunguje	Bez přívodu elektrické energie	Zkontrolujte dodávku elektrické energie
	Spínač horní frézy je vypnutý	Zapněte spínač horní frézy
Nástavec není rovný	Vyrovnávací šrouby nejsou správně nastaveny	Viz. část „Vyrovnání frézovacího nástavce“
	Hrubý povrch	Ujistěte se, že Pracovní centrum stojí na rovném povrchu. Pokud zjistíte, že podlaha vykazuje nerovnosti, najděte jiné místo pro Pracovní centrum
Neobvyklý mechanický zvuk	Zkontrolujte, zda je stopková fréza správně přichycena	Utáhněte upínací kleštinu
	Došlo k uvolnění šroubů	Zkontrolujte utažení šroubů
	Horní fréza se uvolnila z přichycení ke stolu	Bezpečně horní frézu přichyťte ke stolu, utáhněte šrouby
Při používání vzniká velké množství třísek a prachu	Zkontrolujte odsávání, zda není nádoba/pytlík plný	Vysypte nádobu/vyměňte pytlík
	Zkontrolujte, zda je zapnuté odsávání třísek	Zapněte odsávání třísek
	Zkontrolujte, zda je odsávání správně připojené	Ujistěte se, že vše je správně spojeno – samotné odsávání i hadice
Špatné výsledky frézování	Zkontrolujte, zda je stopková fréza ostrá a nepoškozená	Vyměňte stopkovou frézu, je-li opotřebovaná
	Zkontrolujte otáčky	Nastavte správné otáčky
	Řez je příliš hluboký na jedno frézování	Dokončete práci ve více řezech
S materiálem se obtížně manipuluje	Materiál je nesprávně umístěn	Přečtěte si bezpečnostní opatření pro frézovací stůl a také si vyhledejte bezpečnostní opatření v původním návodu pro vaši Triton horní frézu
	Vodící lišta je nesprávně umístěna	
	Nesprávný směr materiálu	
	Nesprávné použití přitlačných hřebců	

Záruka

Pro registraci záruky navštivte naše webové stránky www.tritontools.com* a zadejte informace o výrobku. Vaše údaje budou uloženy (pokud tuto možnost nezakážete) a budou vám zasílány novinky. Vaše údaje neposkytneme žádné třetí straně.

Záznam o nákupu

Datum nákupu: ___/___/___

Model: TWX7RT001 Kupní doklad uschovejte jako potvrzení zakoupení výrobku.

Pokud se během 3 LET ode dne nákupu objeví závada výrobku společnosti Triton Precision Power Tools, která byla způsobena vadou materiálu nebo vadným zpracováním, Triton opraví nebo vymění vadný díl zdarma.

Tato záruka se nevztahuje na výrobky, které budou používány pro komerční účely, a dále na poškození, které je způsobeno neodborným použitím nebo mechanickým poškozením výrobku.

* Registrovat se během 30 dní od nákupu.

Změna podmínek vyhrazena.

Těmito podmínkami nejsou dotčena vaše zákonná práva.

Preklad originálneho návodu

Úvod

Ďakujeme za zakúpenie výrobku Triton, tento manuál obsahuje informácie nutné k bezpečnému používaniu a správemu fungovaniu tohto výrobku. Tento výrobok ponúka mnoho jedinečných funkcií. Je možné, že ste už s podobným výrobkom pracovali, napriek tomu si však prečítajte tento manuál, aby ste naplno pochopili všetky inštrukcie. Uistite sa, že každý, kto s výrobkom pracuje, si tento manuál prečítal a porozumel mu.

Použitie symboly

Typový štítok na vašom náradí môže obsahovať symboly. Tie predstavujú dôležité informácie o výrobku alebo pokyny na jeho použitie.



Používajte chrániče sluchu
Používajte ochranné okuliare
Používajte respirátory
Používajte ochranu hlavy



Používajte ochranné rukavice



Prečítajte si návod



Pozor na spätný ráz!



Varovanie: Ostré ostrie alebo zuby!



Výhradne na vnútorné použitie!



Nepoužívajte v daždi alebo vo vlhkom prostredí!



VAROVANIE: Pohyblivé časti môžu spôsobiť rozdrvenie alebo rezné poranenia!



Pozor!



Nebezpečné výpary alebo plyny!



Nedotýkajte sa! Neotvárajte ochranný kryt bez odpojenia napájania. Pri práci s elektrickým náradím musia deti a okolostojaci stáť mimo dosahu náradia. Pri rozptýlení môže dôjsť k strate kontroly. Všetci okolostojaci by mali stáť v bezpečnej vzdialenosti od pracovnej plochy.



Náradie vždy vypojte z elektrickej siete, ak vykonávate úpravy, meníte príslušenstvo, čistíte, vykonávate údržbu a keď náradie nepoužívate!

Tabuľka technických skratiek

V	volty
~, AC	striedavý prúd
A, mA	ampér, miliampér
n _o	otáčky naprázdno
Ø	priemer
°	stupne
λ	vlnová dĺžka
Hz	hertz
---, DC	jednosmerný prúd
W, kW	watt, kilowatt
/min nebo min ⁻¹	operácie za minútu
dB(A)	hladina akustického tlaku v decibeloch (vážená)
m/s ²	metre za sekundu2 (veľkosť vibrácií)

Technické informácie

Model:	TWX7RT001
Kompatibilné horné frézy:	Triton TRA001 Triton MOF001 Triton JOF001
Veľkosť frézovacieho nadstavca:	660 x 410 mm
Veľkosť stola Pracovného centra:	904 x 708 mm
Veľkosť extrudovanej vodiacej lišty:	680 x 85 mm
Šírka extrudovanej vodiacej lišty:	21,4 mm
Veľkosť MDF vodiacej lišty:	340 x 75 mm (2x)
Maximálne roztvorenie MDF vodiacej lišty:	90 mm
Nastaviteľná pozícia vodiacej lišty:	+25/-125 mm
Mikro posuvy vodiacej lišty:	1 mm (jedna celá otáčka)
Nastavenie vymedzovačou:	0,5, 1,0, 1,5, 2,0 mm
Výška krytu:	0-76 mm
Výška prítlačných pružín:	1 (9,5 mm) , 2 (15 mm) , 3 (44 mm) , 4 (50 mm)
Maximálny priemer stopkové frézy podľa použitej dosky (D _{max}):	Veľká - 50 mm Stredná - 40 mm Malá - 20 mm
Veľkosť portu pre odsávanie prachu (priemer):	31,75 mm vysokotlakový / 62,5 mm nízkotlakový
Hmotnosť:	9,9 kg

Bezpečnostné opatrenia

UPOZORNENIE! Keď používate elektronádie, mali by ste vždy poslúchnuť bezpečnostná varovania, aby ste minimalizovali riziko požiaru, úraz elektrickým prúdom a/alebo vážne poranenie. Prečítajte si všetky bezpečnostné varovania a inštrukcie.

UPOZORNENIE: Tento prístroj nesmie byť používaný osobami (vrátane detí) s telesným alebo mentálnym postihnutím. Ďalej ho nesmú používať osoby, ktoré majú nedostatok skúsenosti a znalostí, pokiaľ na ne nedohliada osoba zodpovedná za bezpečnosť alebo pokiaľ im neboli odovzdané inštrukcie na obsluhovanie zariadenia. Deti musia byť oboznámené s faktom, že sa s týmto prístrojom nesmú hrať.

POZOR: Elektronádie a príslušenstvo používajte podľa tohto návodu; berte pritom do úvahy podmienky na pracovisku a prácu, ktorú vykonávate. Použitie elektronádia pre práce odlišné od tých, ku ktorým je elektronádie určené, môže spôsobiť nebezpečné situácie.

Pod výrazom „elektronádie“ používaným v bezpečnostných opatreniach sa rozumie zariadenie zapojené do elektrickej siete (siet'ovým káblom) alebo zariadenie, ktoré využíva batériový pohon (bez sieťového kábla).

- **Udržujte pracovisko čisté a dobre osvetlené** - neporiadok alebo neosvetlené pracovné miesto môže viesť k úrazom
 - **Zvážte, kde náradie použijete**
 - Nevystavujte náradie dažďu
 - Nepoužívajte náradie vo vlhkom prostredí
 - Pracovnú plochu majte dobre osvetlenú
 - Nepoužívajte elektronádie v prostredí ohrozenom výbuchom, v ktorom sa nachádzajú horľavé kvapaliny alebo plyny
 - **Chránite sa pred úrazom elektrickým prúdom** - vyhňte sa telesnému kontaktu s uzemnenými povrchmi ako je potrubie, vykurovacie telesá, sporáky a chladničky
 - **Ostatné osoby by sa mali nachádzať v dostatočnej vzdialenosti** - nenechajte prízerajúce osoby, najmä deti, dotýkať sa káblov a udržiňte ich v dostatočnej vzdialenosti od pracovného miesta
 - **Nepotrebné náradie uprite** - pokiaľ náradie nepoužívate, malo by byť skladované na suchom a uzamknutom mieste, mimo dosahu detí
 - **Na náradie netlačte** - prácu zvládne lepšie a bezpečnejšie v rýchlosti, ktorá je odporúčaná
 - **Používajte správne náradie** - nepoužívajte malé náradie na prácu, ktorú lepšie zvládne výkonnejšie náradie. Náradie nepoužívajte na prácu, pre ktorú nie je určené; napr. nepoužívajte okružnú pilu na rezanie konárov alebo polien
 - **Používajte vhodný odev**
 - Nenoste žiadny voľný odev alebo šperky, ktoré môžu byť zachytené pohyblivými časťami dieľmi
 - Ak pracujete vonku, noste vhodnú bezpečnostnú obuv
 - Noste pokrývku hlavy, ktorá schová dlhé vlasy
 - **Používajte ochranné pomôcky**
 - Používajte ochranné okuliare
 - Používajte respirátor alebo masku proti prachu, ak pracujete v prašnom prostredí
- VAROVANIE:** nosení ochranných pracovných pomôcok alebo vhodného oblečenia môže spôsobiť poranenie alebo zvýšiť pravdepodobnosť úrazu
- **Prípojte odsávacie vybavenie** - ak je náradie vybavené pripojením odsávacieho systému alebo zberným vybavením, uistite sa, že je správne pripojené a používané
 - **Dbajte na účel káblu** - nepoužívajte ho na vytiahnutie zástrčky zo zásuvky. Udržujte kábel ďaleko od tepla, oleja, ostrých hrán alebo pohyblivých dielov stroja. Poškodené alebo spletené káble zvyšujú riziko zásahu elektrickým prúdom
 - **Bezpečná práca** - kedykoľvek je to možné, používajte svorky alebo zverák pre držanie materiálu. Je to bezpečnejšie, než materiál držať rukami
 - **Nenakláňajte sa príliš** - stojte v správnej polohe a vždy držte rovnováhu
 - **S náradím zaobchádzajte svedomito**
 - Rezné nástroje udržiavajte ostré a čisté - starostlivo ošetrované rezné nástroje s ostrými reznými hranami majú menšiu tendenciu k zablokovaniu a ľahšie sa vedú
 - Dodržiavajte pokyny týkajúce sa mazania a výmeny príslušenstva
 - Pravidelne kontrolujte prívodný kábel, a ak je poškodený, nechajte ho opraviť v autorizovanom servisnom centre
 - Predizovacie káble pravidelne kontrolujte, a ak sú poškodené, vymeňte ich
 - Rukoväte udržiavajte suché, čisté a bez stóp oleja alebo masnoty

Riešenie problémov

Problém	Možná príčina	Riešenie
Náradie po zapnutí nefunguje	Bez prívodu elektrickej energie	Skontrolujte dodávku elektrickej energie
	Spínač hornej frézy je vypnutý	Zapnite spínač hornej frézy
Nadstavec nie je rovný	Levelling screws are not correctly adjusted	Refer to 'Levelling the router module' section
	Rough surface	Ensure the Workcentre is situated on a secure flat surface. Relocate the table if the ground is found to be rough
Nezvyčajný mechanický zvuk	Skontrolujte, či je stopková fréza správne prichytená	Utiahnete upinaciu klieštinu
	Došlo k uvoľneniu skrutiek	Skontrolujte utiahnutie skrutiek
	Horná fréza sa uvoľnila z prichytenia k stolu	Bezpečne hornú frézu prichyťte k stolu, utiahnite skrutky
Pri používaní vzniká veľké množstvo triesok a prachu	Skontrolujte odsávanie, či nie je nádoba vrecúško plný	Vysypte nádobu/vymeňte vrecúško
	Skontrolujte, či je zapnuté odsávanie triesok	Zapnite odsávanie triesok
	Skontrolujte, či je odsávanie správne pripojené	Uistite sa, že všetko je správne spojené - samotné odsávanie aj hadice
Zlé výsledky frézovania	Skontrolujte, či je stopková fréza ostrá a nepoškodená	Vymeňte stopkovou frézu, ak je opotrebovaná
	Skontrolujte otáčky	Nastavte správne otáčky
	Rez je príliš hlboký na jedno frézovanie	Dokončite prácu vo viacerých rezoch
S materiálom sa ťažko manipuluje	Materiál je nesprávne umiestnený	Prečítajte si bezpečnostné opatrenia pre frézovací stól a tiež si vyhľadajte bezpečnostné opatrenia v pôvodnom návode pre vašu Triton hornú frézu
	Vodiaca lišta je nesprávne umiestnená	
	Nesprávny smer materiálu	
	Nesprávne použitie prítlačných hrebeňov	

Záruka

Na registráciu záruky navštívte naše webové stránky www.tritontools.com* a zadajte informácie o výrobku. Vaše údaje budú uložené (pokiaľ túto možnosť nezakážete) a budú vám zasielané novinky. Vaše údaje nebudú poskytnuté žiadnej tretej strane.

Záznam o nákupe

Dátum obstarania: ___ / ___ / ____

Model: TWX7RT001 Doklad o kúpe uschovajte ako potvrdenie o zakúpení výrobku.

Pokiaľ sa behom 3 ROKOV odo dňa nákupu objaví porucha výrobku spoločnosti Triton Precision Power Tools, ktorá bola spôsobená chybou materiálu alebo chybným spracovaním, Triton opraví alebo vymení chybný diel zdarma.

Tato záruka sa nevzťahuje na výrobky, ktoré budú používané na komerčné účely, a ďalej na poškodenie, ktoré je spôsobené neodborným použitím alebo mechanickým poškodením výrobku.

* Registrujte sa behom 30 dní od nákupu.

Zmena podmienok vyhradená.

Týmito podmienkami nie sú dotknuté vaše zákonné práva.

Orijinal talimatların çevirisi

Giriş

Bu TRITON el aletini satın aldığınız için teşekkür ederiz. Bu el kitabında bu ürünü güvenli ve yararlı şekilde kullanmak için gereken bilgiler bulunmaktadır. Bu ürünün kendine özgü özellikleri vardır ve benzer ürünleri yakından tanıyıp olsanız bile talimatları tamamen anlayabilmeniz için bu el kitabını dikkatle okumanız gerekir. Bu el aletini kullanan herkesin bu el kitabını okuyup işi öğrenmesini sağlarsınız.

Sembollerin açıklaması

El aletinizdeki künyede semboller bulunabilir. Bunlarda ürün hakkındaki önemli bilgileri veya kullanımı ile ilgili talimatları temsil eder.



Kulak koruyucu kullanın
Göz koruyucu kullanın
Solunum koruyucu kullanın
Kafa koruyucu kullanın



El koruyucu kullanın



Talimat el kitabını okuyun



Geri tepmeye dikkat edin!



Uyarı: Keskin bıçaklar veya dişler!



Yalnız iç mekân kullanımı!



Yağmurda veya nemli ortamlarda KULLANMAYIN!



DİKKAT: Hareketli kısımlar ezilmeye ve kesik yaralarına yol açabilir.



Dikkat!



Zehirli dumanlar veya gazlar!



DOKUNMAYIN! Elektrikli kesmeden muhafazaya DOKUNMAYIN. Elektrikli bir el aleti kullanırken çocukları ve izleyicileri uzak tutun. Dikkati dağıtan şeyler kontrolü yitirmenize yol açabilir. Tüm ziyaretçiler çalışma alanından güvenli bir uzaklıkta tutulmalıdır.



Ayar yaparken, aksesuar değiştirirken, temizlerken, bakım yaparken veya kullanımda olmadığı zaman daima güç kaynağından ayırın!

Teknik Kısaltmaların Açıklaması

V	Volt
~, AC	Alternatif Akım
A, mA	Amper, milli-Amp
n ₀	Yüksüz hız
Ø	Çap
°	Derece
λ	Dalga boyu
Hz	Hertz
---, DC	Doğru akım
W, kW	Wat, kilowat
/dak veya dak ⁻¹	Dakikada işlem sayısı
dB(A)	Desibel ses düzeyi (A ağırlıklı)
m/s ²	Metre bölü saniye kare (Titreşimin büyüklüğü)

Spesifikasyon

Parça no:	TWX7RT001
Uygun frezeler:	Triton TRA001 Triton MOF001 Triton JOF001
Freze modülü boyutu:	660 x 410 mm
İş merkezi tablası boyutu:	904 x 708 mm
Çekme perde boyutu:	680 x 85 mm
Çekme perde kalınlığı:	21,4 mm
MDF perde yüzeyi boyutu:	340 x 75 mm (x2)
Maks. MDF perde yüzeyi açıklığı:	90 mm
Perdenin ayarlanabilir konumu:	+25/-125 mm
Perde mikro ayarları:	1 mm (tam bir tur)
Mesafe çubuğu ayarları:	0,5, 1,0, 1,5, 2,0 mm
Muhafaza yüksekliği:	0-76 mm
Baskı tahtası istif yüksekliği:	1 (9,5 mm), 2 (15 mm), 3 (44 mm), 4 (50 mm)
Maksimum kılavuz plaka freze ucu çapı (D _{max}):	Büyük - 50 mm Orta - 40 mm Küçük - 20 mm
Toz Emiş Bağlantısı (Çap):	31,75 mm Yüksek Basınç / 62,5 mm Alçak Basınç
Net ağırlık:	9,9 kg

Genel Güvenlik

UYARI: Elektrikli el aletlerini kullanırken yangın, elektrik çarpması ve yaralanma riskini azaltmak için aşağıdaki güvenli bilgileri dâhil olmak üzere temel güvenlik kuralları daima izlenmelidir. Bu ürünü çalıştırmadan önce bu talimatların hepsini okuyun talimatları ileride kullanmak üzere saklayın.

UYARI: Fiziksel veya akısal yetenek eksikliği bulunan (çocuklar dâhil) veya yeterli deneyimi ve bilgisi olmayan kişiler, kendilerinin güvenliğinden sorumlu bir kişi tarafından cihazın kullanımı için gözetim ve bilgi sağlanmadığı sürece bu cihazı kullanmamalıdır. Çocukların bu cihaz ile oynamasına dikkat edilmelidir.

DİKKAT: Elektrikli el aletini, aksesuarları ve kesici uçları, vb. çalışma koşullarını ve yapılacak işi dikkate alarak bu talimatlara göre kullanın. Elektrikli el aletinin amaçlanan dışında işlemler için kullanılması tehlikeli durumlara ortaya çıkarabilir.

Uyarılardaki "elektrikli el aleti" terimi elektik şebekesinden çalışan (kablolu) elektrikli el aleti veya batarya ile çalışan (kablolu) elektrikli el aleti anlamına gelmektedir.

1 - **Çalışma alanını temiz tutun.** Dağınık yerler veya iş tezgâhları yaralanmaları davet eder

2 - **Çalışma alanı ortamına dikkat edin**

- El aletlerini yağmura maruz bırakmayın
- Nemli veya ıslak yerlerde elektrikli el aletleri kullanmayın
- Çalışma alanını iyice aydınlatın
- Yanıcı sıvılar veya gazlar bulunan yerlerde elektrikli el aletleri kullanmayın

3 - **Elektrik çarpmasına karşı koruma** - Topraklı veya topraklanmış yüzeyler ile vücut temasından sakının (örneğin borular, radyatörler, fırınlar, soğutucular)

4 - **Başka kişileri uzakta tutun** - İş ile ilgili olmayan kişilerin ve özellikle çocukların el aletine ve uzatma kablosuna dokunmasına izin vermeyin ev onları çalışma alanından uzak tutun

5 - **Kullanılmayan el aletlerini saklayın** - El aletleri kullanılmadığı zaman çocukların ulaşamayacağı şekilde kuru ve kilitli bir yerde saklanmalıdır

6 - **El aletini zorlamayın.** El aleti bir işi daha iyi ve daha güvenli şekilde ve gerçekleştirilmek için tasarlandığı hızda yapar

7 - **Doğru el aletini kullanın** - Bir ağır hizmet aletinin işini yapmak için küçük el aletlerini zorlamayın El aletlerini amaçlanmadıkları işler için kullanmayın; örneğin ağaç dallarını veya kütükleri kesmek için daire testere kullanmayın

8 - **Uygun giysi giyin**

- Hareketli parçalara yakalanabilecek gevşek giysiler veya takı kullanmayın
- Dış mekânda çalışırken uygun güvenlik pabucu tavsiye edilir.
- Uzun saç toplamak için koruyucu örtü kullanın

9 - **Koruyucu ekipman kullanın**

- Güvenlik gözlüğü kullanın
- Çalışma koşulları toz ürettiği takdirde yüz koruyucu veya toz maskesi kullanın

UYARI: Koruyucu ekipman veya uygun giysi kullanılmaması yaralanmaya yol açabilir veya bir yaralanmanın ağırlığını artırabilir.

10 - **Toz emiş ekipmanını bağlayın** - El aletinde toz emme ve toplama için bir bağlantı bulunuyorsa bunları bağlanmasına ve doğru şekilde kullanılmasına dikkat edin

11 - **Elektrik kablosunu yanlış kullanmayın** - Elektrik kablosunu prizden çıkarmak için asla kablodan asılmayın. Elektrik kablosunu ısıdan, yağdan ve keskin kenarlardan uzak tutun. Hasarlı veya dolaşık elektrik kabloları elektrik çarpması riskini artırır

12 - **İş parçasını sabitleyin** - Olanaklı olduğu takdirde kelepçeler veya bir mengene kullanarak iş parçasını sabit tutun. Elinizi kullanmaktan daha güvenlidir

13 - **Çok fazla ileriyi uzanmayın.** Desteğinizi ve dengeyi daima uygun şekilde koruyun

14 - **El aletlerine dikkatle bakım yapın**

- Kesici aletleri keskin ve temiz bulundurun. El aletinin daha kolay kontrol edilmesini sağlar ve iş parçası içinde sıkışma olasılığını azaltır
- Yağlama ve aksesuar değiştirme talimatlarını izleyin
- El aletinin elektrik kablolarını periyodik olarak muayene edin ve hasar gördüğü zaman yetkili bir servis tesisinde bunları tamir ettirin
- Uzatma kablolarını periyodik olarak muayene edin ve hasar gördüğü zaman değiştirin
- Sapları kuru, temiz durumda tutun ve yağlı ve gresi temizleyin

UYARI: Kazaların birçoğuna iyi bakım yapılmayan el aletleri neden olmaktadır.

Sorun Giderme

Sorun	Muhtemel nedeni	Çözümü
Elektrik açıldığı zaman çalışmıyor	Elektik yoktur	Güç kaynağını kontrol edin
	Freze ünitesinin açma/kapatma düğmesi kapalıdır	Freze ünitesinin açma/kapatma düğmesini sıfırlayın
Tabla modülü terazide değil	Teraziye alma vidaları doğru ayarlanmamıştır	'Freze modülünün teraziye alınması' bölümüne bakın
	Yüzey kabadır	İş Merkezinin sağlam, yatay bir düzlemde olmasına dikkat edin. Zemin kaba ise tablanın yerini değiştirin
Bilinmeyen mekanik gürültü	Freze kesme ucunun doğru takıldığını kontrol edin	Kovan grubunu sıkın
	Diğer bağlantılar çalışırken gevşemiştir	Bağlantıları kontrol edin
	Freze, frezenin montaj yerlerinde gevşemiştir	Frezeyi doğru şekilde bağlayın ve bağlantı yerlerini sıkın
Kullanırken çok miktarda yonga ve toz	Vakum sistemi torbasının veya silindirin dolu olmadığını kontrol edin	Torbayı değiştirin veya silindiri boşaltın
	Toz emişinin çalıştırılmış olduğunu kontrol edin	Çalıştırın
	Toz emişinin doğru bağlanmış olduğunu kontrol edin	Tüm toz emiş grubu ve hortumu boyunca her şeyin doğru monte edildiğini kontrol edin
Sonuçların kalitesi kötü	Freze kesme ucunun keskin ve iyi durumda olduğunu kontrol edin	Körelmiş veya aşınmış ise değiştirin
	Freze hızının doğru olduğunu kontrol edin	Freze ünitesinin hızını doğru şekilde ayarlayın
	Her geçişteki kesme derinliği çok fazladır	İşi birden çok geçiş ile gerçekleştirin
İş parçası zor kontrol ediliyor	İş parçası doğru yerleştirilmemiştir	İlave güvenlik bilgileri için Freze Tablası Güvenliği bölümünü okuyun ve ayrıca orijinal Freze El Kitabınıza bakın
	Perde yanlış yerleştirilmiştir	
	İş parçasının yönü yanlıştır	
	Baskı tahtaları doğru kullanılmamaktadır	

Garanti

Garantinizi tescil ettirmek için www.tritontools.com* adresindeki web sitemizi ziyaret ederek bilgilerinizi giriniz. Size ait bilgiler ilerideki yayınlar hakkında bilgi vermek üzere posta listemize dâhil edilecektir (aksi belirtilmediği takdirde). Verilen bilgiler hiç bir üçüncü tarafa iletilmeyecektir.

Satin alma kayıtları

Satin Alma Tarihi: ___ / ___ / ___

Model: TWX7RT001 Makbuzunuzu satın alma kanıtı olarak saklayınız

Triton Precision Power Tools, ilk satın alma tarihinden itibaren 3 YIL süre içinde hatalı

malzemeler veya işçilik yüzünden herhangi bir parçanın kusurlu çıkması durumunda Triton'un hatalı parçayı ücretsiz olarak tamir edeceğini veya kendi takdirine göre değiştireceğini bu ürünü satın alan kişiye garanti eder.

Bu garanti ticari kullanım için geçerli olmadığı gibi normal aşınmayı ve yıpranmayı veya kaza, kötüye kullanma veya yanlış kullanma yüzünden oluşan hasarı içermez.

* 30 gün içinde çevirim içi olarak tescil ettirin.

Kurallar ve koşullar geçerlidir.

Bunlar sizin yasal haklarınızı etkilemez

